

Five lobe grips ergonomic with internal thread

Item description/product images



Description

Material:

Hard components fibreglass reinforced plastic.
Soft components thermoplastic elastomer.
Bushing steel grade 5.8 or stainless steel 1.4305.

Version:

Steel trivalent blue passivated.
Stainless steel, bright.

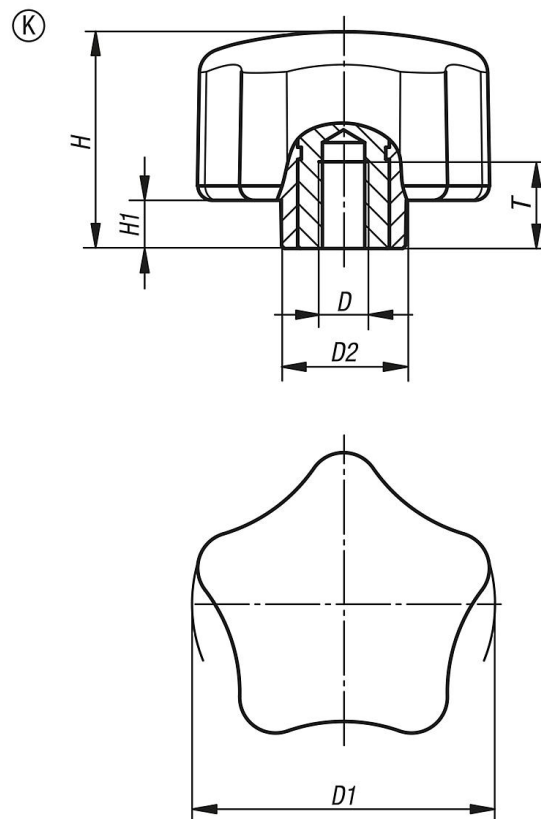
Note:

The colour combination black grey RAL 7021 (hard components) and black grey RAL 7021 (soft components) are supplied as standard.

On request:

Other versions.

Drawings



Overview of items

Order No.	Form	Component material	D	D1	D2	H	H1	T
K0786.6308	K	steel	M8	63	26	45	10	17

Five lobe grips ergonomic with internal thread

Overview of items

Order No.	Form	Component material	D	D1	D2	H	H1	T
K0786.6310	K	steel	M10	63	26	45	10	17
K0786.06308	K	stainless steel	M8	63	26	45	10	17
K0786.06310	K	stainless steel	M10	63	26	45	10	17