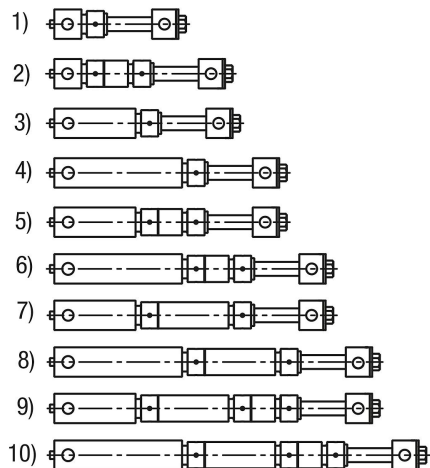


Adapter shafts

Item description/product images



Description

Material:

Carbon steel.

Version:

Black oxidised.

Note:

For setting the clamping width.

Supplied with union nut.

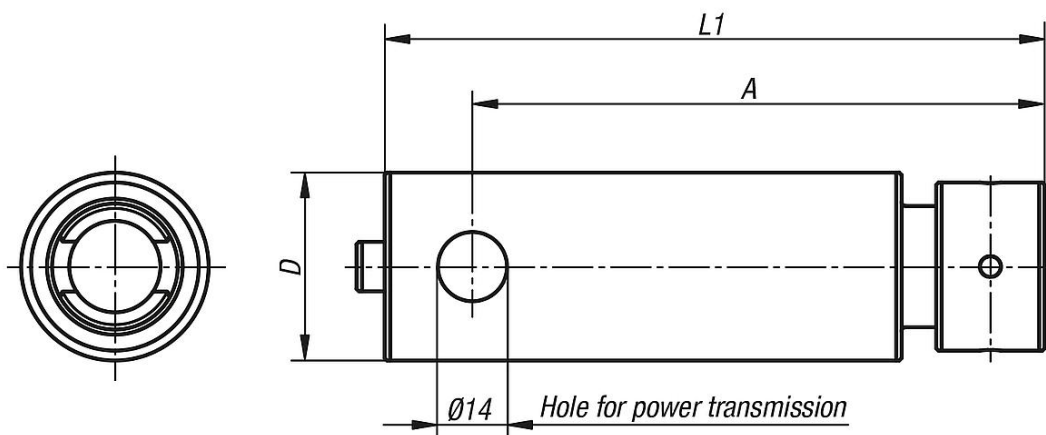
The adapter shafts are linked to the vice jaws by the lateral holes.

An adapter shaft must be mounted in every compact 5-axis clamp/KIPPflexX.

Drawing reference:

- 1) Clamping width 20-72 mm - Adapter shaft 60 mm + threaded spindle
- 2) Clamping width 72-135 mm - Adapter shaft 60 mm + expansion rod 60 mm + threaded spindle
- 3) Clamping width 80-140 mm - Adapter shaft 120 mm + threaded spindle
- 4) Clamping width 140-200 mm - Adapter shaft 180 mm + threaded spindle
- 5) Clamping width 140-200 mm - Adapter shaft 120 mm + extension shaft 60 mm + threaded spindle
- 6) Clamping width 200-260 mm - Adapter shaft 180 mm + extension shaft 60 mm + threaded spindle
- 7) Clamping width 200-260 mm - Adapter shaft 120 mm + extension shaft 120 mm + threaded spindle
- 8) Clamping width 260-320 mm - Adapter shaft 180 mm + extension shaft 120 mm + threaded spindle
- 9) Clamping width 260-320 mm - Adapter shaft 120 mm + extension shaft 120 mm + extension shaft 60 mm + threaded spindle
- 10) Clamping width 320-380 mm - Adapter shaft 180 mm + extension shaft 120 mm + extension shaft 60 mm + threaded spindle

Drawings



Adapter shafts

Overview of items

| Order No. | A | D | L1 | Clamp range |
|-----------|-----|----|-----|-------------|
| K0991.060 | 56 | 38 | 74 | 20-80 |
| K0991.120 | 116 | 38 | 134 | 80-140 |
| K0991.180 | 176 | 38 | 194 | 140-200 |