

Rigid Clamping Spindles, Form A

Item description/product images



Description

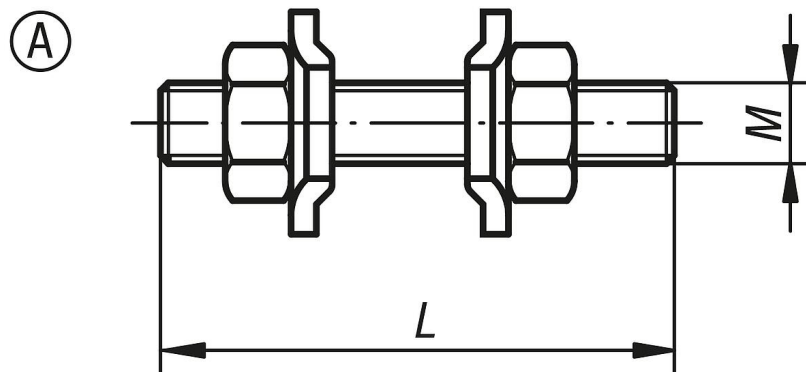
Material:

Steel. Spindle grade 5.8.

Version:

Spindle and nuts phosphated.
Flank washers trivalent passivated.

Drawings



Overview of items

Rigid Clamping Spindles

| Order No. | Form | M | L |
|-------------|------|-----|----|
| K0101.05025 | A | M5 | 25 |
| K0101.05035 | A | M5 | 35 |
| K0101.06050 | A | M6 | 50 |
| K0101.08065 | A | M8 | 65 |
| K0101.10085 | A | M10 | 85 |

