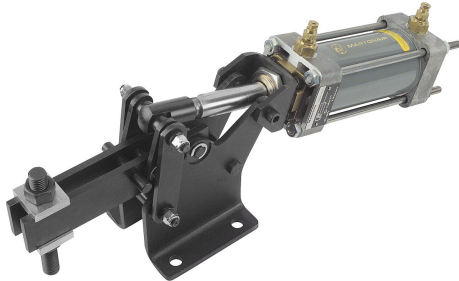


# Pneumatic clamps horizontal heavy-duty version

Item description/product images



## Description

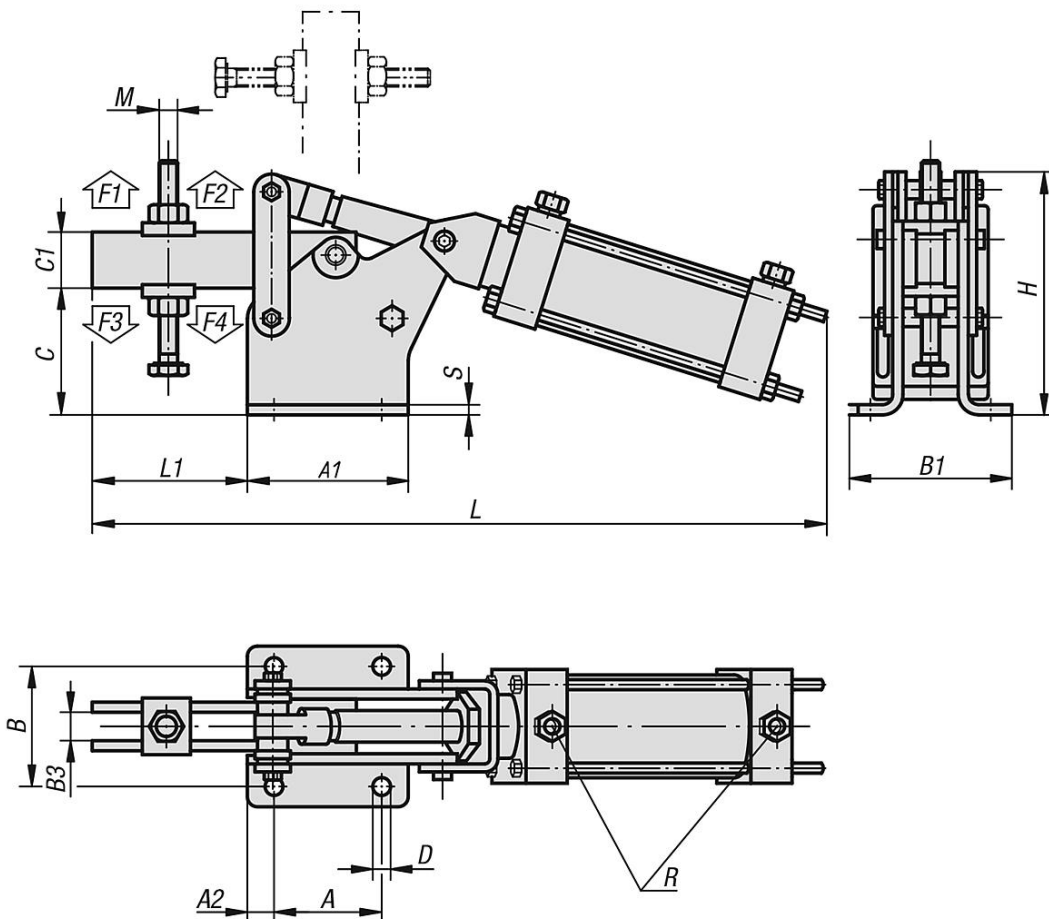
**Material:**  
Steel.

**Version:**  
Black oxidised. Cylinder painted.

**On request:**  
Proximity reed switch.

**Pneumatic cylinder:**  
Double-acting with adjustable end of stroke dampening both ways.

## Drawings



## Overview of items

### Pneumatic clamp horizontal, heavy-duty version

Order No.	Air consumption per cycle	Opening angle of holding arm	Holding force at 6 bar F1 N	Holding force at 6 bar F2 N	Clamping force at 6 bar F3 N	Clamping force at 6 bar F4 N
K0092.2000	0,76 dm <sup>3</sup>	85°	9000	20000	6500	8000

## Pneumatic clamps horizontal heavy-duty version

### Overview of items

---

Order No.	A	A1	A2	B	B1	B3	C	C1	D	H	L	L1	M	S	R	Operating pressure bar	strokes per min. at 6 bar
K0092.2000	85	128	21	95	126	19	102	45	14,2	195	592	127	M18x150	8	G 3/8	2 - 6	10