

Toggle clamps vertical with flat foot and fixed clamping spindle

Item description/product images



Description

Material:

Steel.

Version:

Trivalent passivated.

Clamping spindle and nuts phosphated.

Plastic grip oil-resistant.

Note:

The opening angle between the holding arm and the handle can be reduced or increased by repositioning or removing the stop pin.

A neoprene pressure pad is supplied with version K0060.0100 and K0060.0150.

Accessory:

K0098

K0100

K0101

K0102

K0103

K0106

Drawing reference:

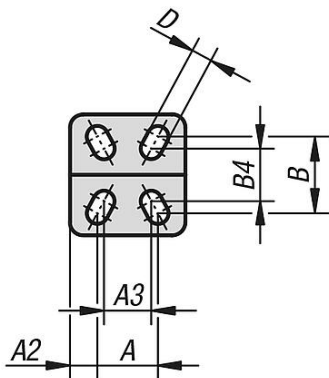
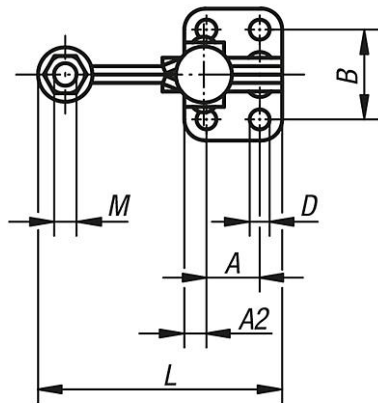
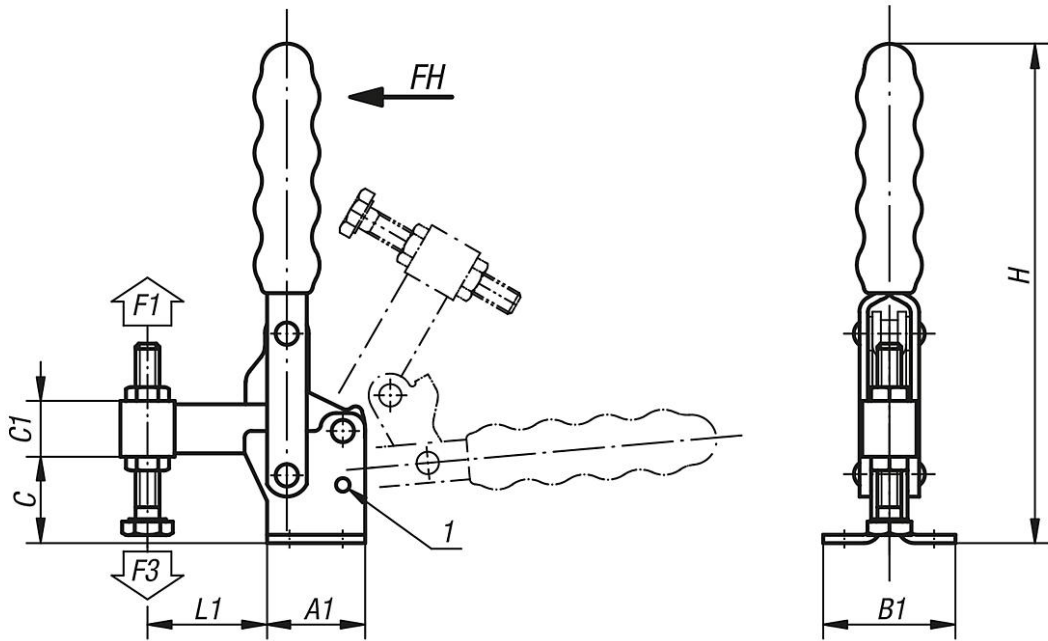
1) Position 1



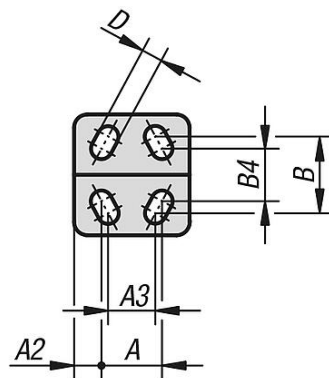
Angle bracket for
front face mounting
(see accessories)

Toggle clamps vertical with flat foot and fixed clamping spindle

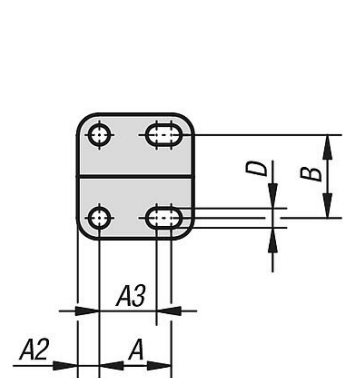
Drawings



K0060.0100



K0060.0200



K0060.0300

Overview of items

Toggle clamps vertical with flat foot and fixed clamping spindle

Toggle clamps vertical with flat foot and fixed clamping spindle

Overview of items

Order No.	Opening angle holding arm position 1	Opening angle holding arm stop pin removed	Opening angle handle position 1	Opening angle handle stop pin removed	Hand force FH N	Retaining force F1 N	Clamping force F3 N	Matching plastic grip
K0060.0100	95°	185°	65°	105°	80	850	650	K0100.16
K0060.0150	95°	185°	75°	110°	120	1500	900	K0100.19
K0060.0200	105°	175°	70°	95°	100	1600	1150	K0100.22
K0060.0250	95°	160°	70°	100°	190	2500	1150	K0100.28
K0060.0300	105°	160°	65°	90°	130	3000	1150	K0100.28
K0060.0350	90°	180°	70°	110°	230	3500	1650	K0100.30
K0060.0450	90°	180°	70°	110°	260	4500	1650	K0100.34
K0060.0550	90°	180°	65°	110°	290	5500	1900	K0100.35

Order No.	A	A1	A2	A3	B	B1	B4	C	C1	D	H	L	L1	M	Order No. Angle bracket
K0060.0100	16	28	6	14	24	34	17,5	22	9,5	4,8	103	65	32	M5x35	-
K0060.0150	12,7	27	7	-	27	38	-	23	11	5,1	125	60	26	M6x50	K0098.02
K0060.0200	19	35	8	12,7	27	42	25	29	12,7	5,5	135	77	37	M6x50	-
K0060.0250	19	35	8	-	32	47	-	29	21,5	7,1	175	87	45	M8x60	K0098.04
K0060.0300	25	43	9	19	34,5	52	-	32	21,5	8	186	115	65	M8x60	-
K0060.0350	32	50	9	-	45	64	-	40	25,5	8,3	220	123	65	M10x80	K0098.06
K0060.0450	32	53	10	-	45	64	-	47	30	8,7	228	136,5	74	M12x100	K0098.06
K0060.0550	51	76	12,5	-	70	95	-	81	38	12,3	312	196,5	108	M16x150	-