

Toggle clamps vertical with safety interlock with flat foot and adjustable clamping spindle

Item description/product images



Description

Material:

Steel.

Version:

Trivalent passivated.
Plastic grip oil resistant.

Note:

With safety interlock for the clamping point and opened position. Safety clamping element with finger protection. Anti-loosening lock for the press-on bolt on the end of the clamping arm.

The opening angle between the holding arm and the handle can be reduced by pressing in of the stop pin (stop position 2).

Clamping spindle with a neoprene pressure pad.

Accessory:

K0098

K0100

K0101

K0102

K0103

K0106

K0107

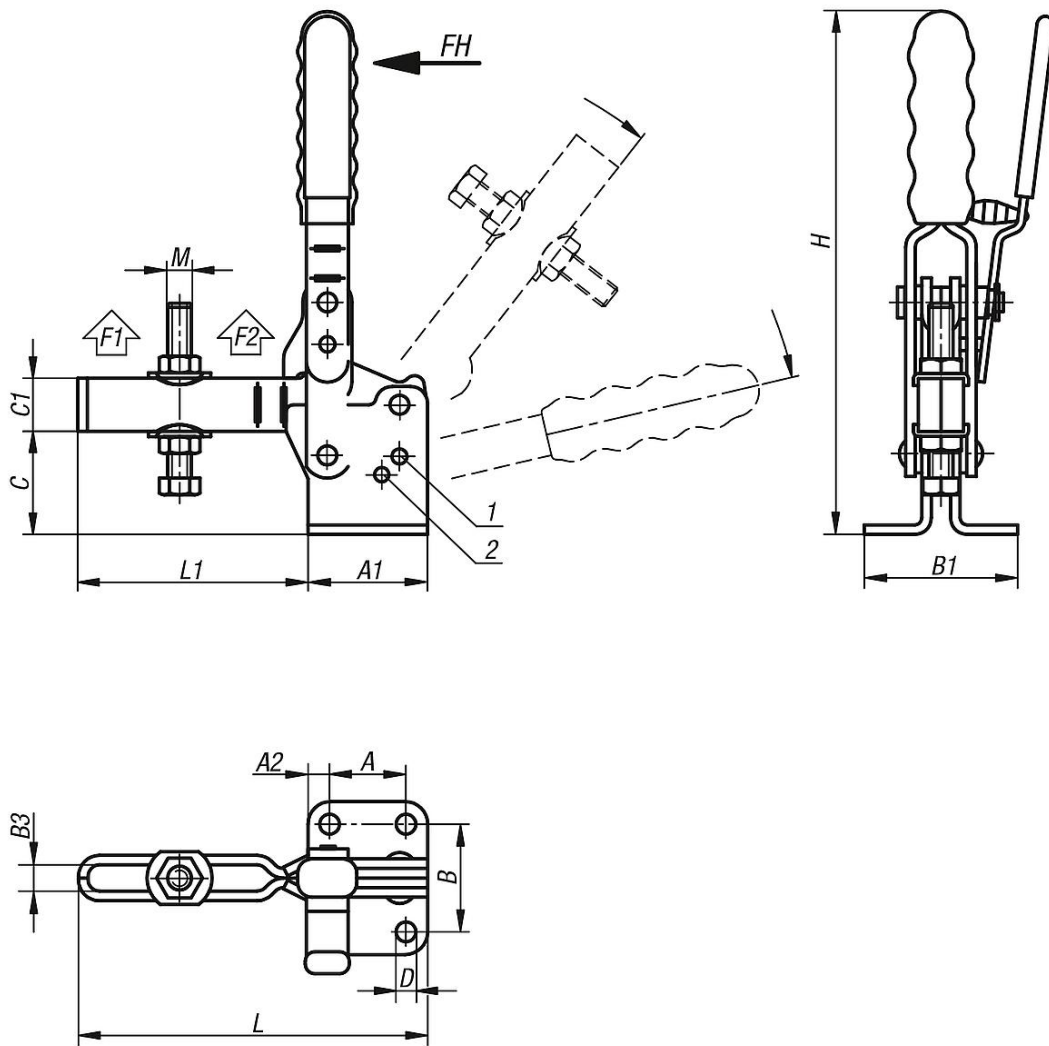
Drawing reference:

1) stop pin position 1

2) stop pin position 2

Toggle clamps vertical with safety interlock with flat foot and adjustable clamping spindle

Drawings



Overview of items

Toggle clamps vertical with safety interlock with flat foot and adjustable clamping spindle

Order No.	Opening angle holding arm position 1	Opening angle holding arm position 2	Opening angle handle position 1	Opening angle handle position 2	Order No. Angle bracket
K0059.0250	95°	125°	70°	85°	K0098.04
K0059.0350	90°	120°	70°	80°	K0098.06

Order No.	A	A1	A2	B	B1	B3	C	C1	D	H	L	L1	M	Hand force FH N	Retaining force F1 N	Retaining force F2 N
K0059.0250	19	35	8	32	47	8,8	32	17,5	7,1	175	110	75	M8x60	190	1000	2800
K0059.0350	32	50	9	45	64	10,6	43	22	8,3	220	146	95	M10x80	230	2200	4500