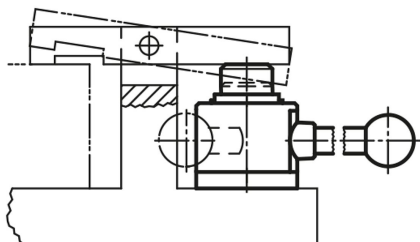


Clamping element "actima"

Item description/product images



Description

Material:

Steel.
Housing thermoplastic.
Ball knob thermoset PF 31.
Accessories steel.

Version:

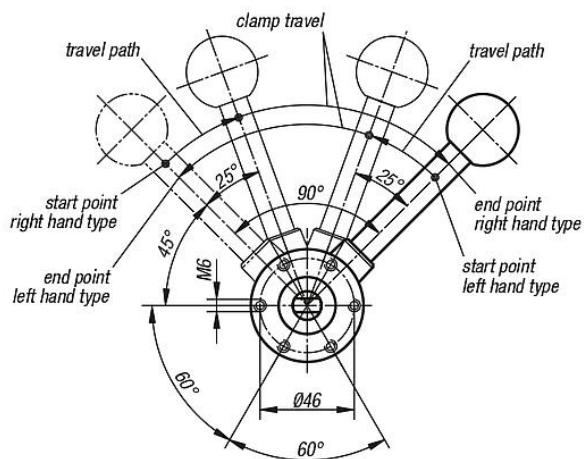
Black oxidised.
Housing black.
Ball knob, red.
Accessories black oxidised.

Note:

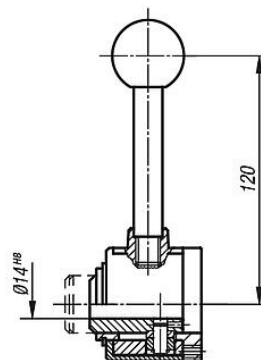
The travel path is 10 mm. Self-locking occurs in any position within only 2 mm of clamp travel, so workpieces with tolerances of up to 1.5 mm can be safely clamped. The Actima clamping device can be mounted in any horizontal or vertical position. Standard parts enable further applications and are available as optional accessories. All parts of the cam system subject to heavy loads are case-hardened (thrust sleeve and accessories only if specified). The maximum permissible clamping force is approximately 4905 N.

Drawings

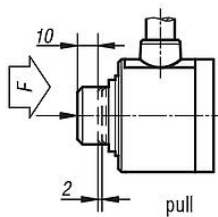
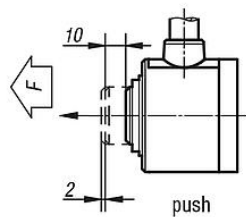
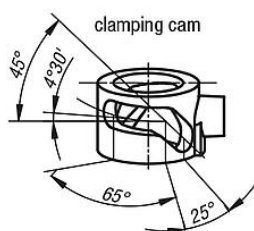
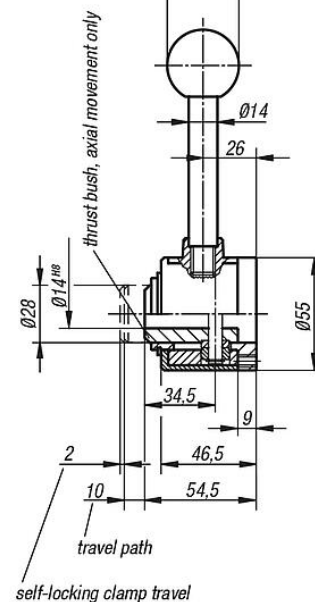
View from below



drilled through

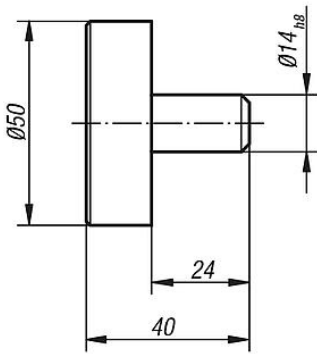


with transverse axis in bore

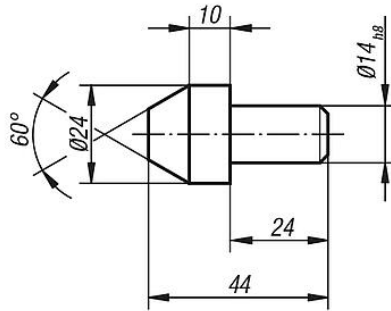


Clamping element "actima"

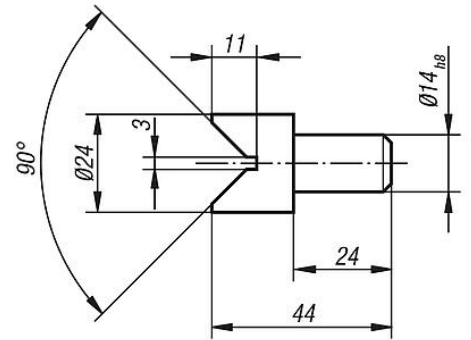
Drawings



plate



conus



prism

Overview of items

"actima" accessories

Order No.	Item
K0020.02	Plate
K0020.03	Conus
K0020.04	Prism