

Hook clamps with collar

Item description/product images



Description

Material:

Hook clamps and hook clamp holders carbon steel, tempered.

Version:

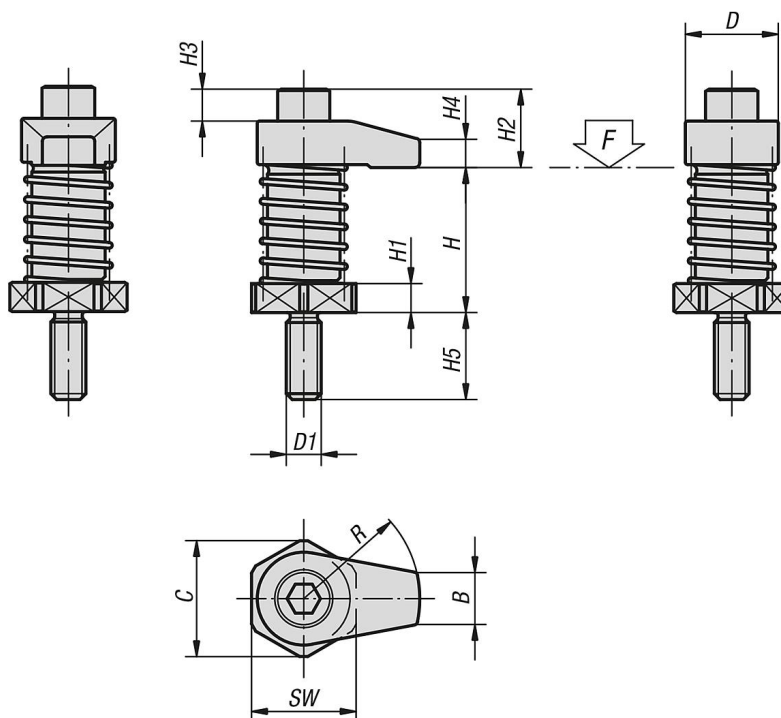
Black oxidised.

Note:

Hook clamps with collar can be screwed directly into grid holes etc. without counterbore.

For suitable riser elements, see riser bars K0018.

Drawings



Overview of items

Hook clamps with collar

Order No.	D	D1	H clamping range	H1	H2	H3	H4	H5	B	C	R	SW	Tightening torque max. Nm	F max. kN
K0015.08020	22	M8	35-45	6	14	2	7	19	10	25	20	22	20	7,9
K0015.08025	22	M8	35-45	6	14	2	7	19	10	25	25	22	20	7,3
K0015.08030	22	M8	35-45	6	14	2	7	19	10	25	30	22	20	6,7
K0015.08120	22	M8	45-55	16	14	2	7	19	10	25	20	22	20	7,9
K0015.08125	22	M8	45-55	16	14	2	7	19	10	25	25	22	20	7,3
K0015.08130	22	M8	45-55	16	14	2	7	19	10	25	30	22	20	6,7
K0015.12040	32	M12	50-65	10	27	11	10	30	18	40	40	36	45	13,5
K0015.12050	32	M12	50-65	10	29	11	12	30	18	40	50	36	45	12,6
K0015.12060	32	M12	50-65	10	29	11	12	30	18	40	60	36	45	11,7
K0015.12140	32	M12	65-80	25	27	11	10	30	18	40	40	36	45	13,5

Hook clamps with collar

Overview of items

Order No.	D	D1	H clamping range	H1	H2	H3	H4	H5	B	C	R	SW	Tightening torque max. Nm	F max. kN
K0015.12150	32	M12	65-80	25	29	11	12	30	18	40	50	36	45	12,6
K0015.12160	32	M12	65-80	25	29	11	12	30	18	40	60	36	45	11,7
K0015.16040	36	M16	50-65	10	36	15	15	30	22	40	40	36	60	13,4
K0015.16050	36	M16	50-65	10	36	15	15	30	22	40	50	36	60	12,4
K0015.16060	36	M16	50-65	10	36	15	15	30	22	40	60	36	60	12
K0015.16140	36	M16	65-80	25	36	15	15	30	22	40	40	36	60	13,4
K0015.16150	36	M16	65-80	25	36	15	15	30	22	40	50	36	60	12,4
K0015.16160	36	M16	65-80	25	36	15	15	30	22	40	60	36	60	12