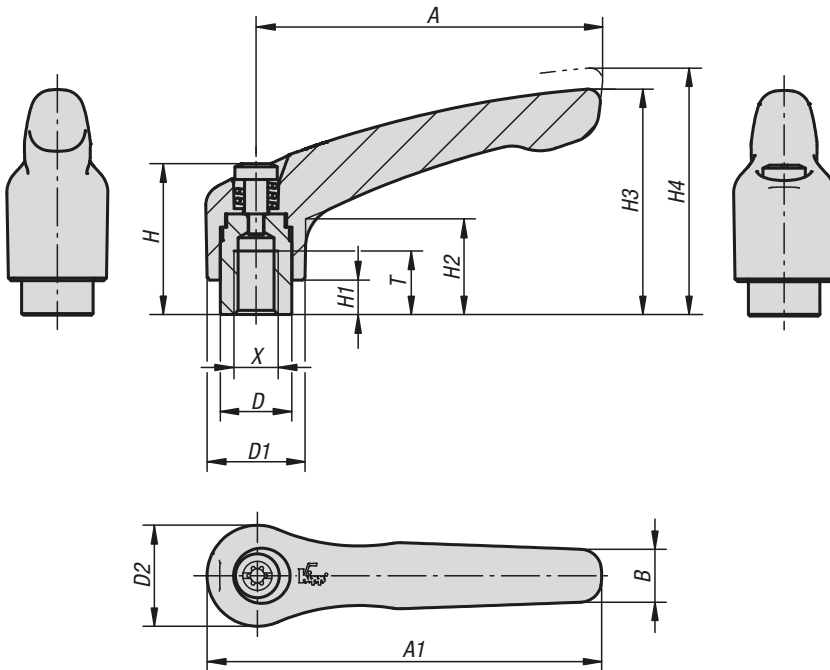


Clamping levers, tension levers, cam levers



Clamping levers steel

internal thread



Material:

Handle steel 1.0401.
All other steel parts grade 5.8.

Version:

Handle powder-coated, fine-textured structure.
Steel parts black oxidised.

Sample order:

K0752.1051

Note:

Standard colours are:
black or ruby red RAL 3003.

lift to
disengage

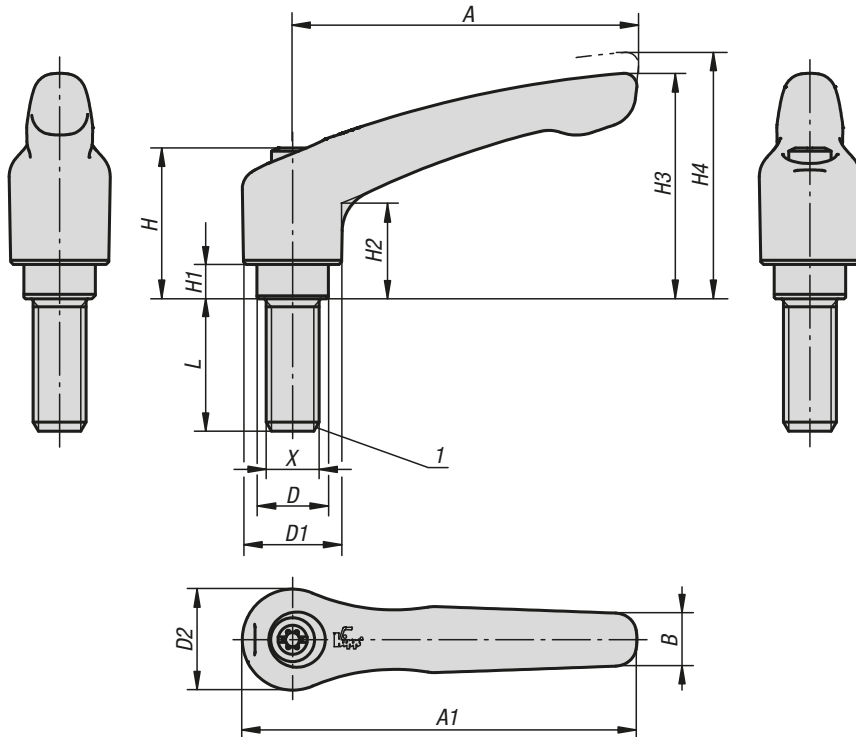


KIPP Clamping levers with internal thread

Order No. black	Order No. ruby red RAL3003	X	A	A1	B	D	D1	D2	H	H1	H2	H3	H4	T	No. of teeth
K0752.1041	K0752.10427	M4	40	47	7	10	13	14	24,5	4	14,5	31	34	9	16
K0752.1051	K0752.10527	M5	40	47	7	10	13	14	24,5	4	14,5	31	34	9	16
K0752.1061	K0752.10627	M6	40	47	7	10	13	14	24,5	4	14,5	31	34	9	16
K0752.2061	K0752.20627	M6	65	74,5	10	13,5	18,5	19	28,5	6,5	17,5	42,5	45,5	12	20
K0752.2081	K0752.20827	M8	65	74,5	10	13,5	18,5	19	28,5	6,5	17,5	42,5	45,5	12	20
K0752.3081	K0752.30827	M8	80	91	11	16	21	22	37	10	24	54,5	58,5	14	22
K0752.3101	K0752.31027	M10	80	91	11	16	21	22	37	10	24	54,5	58,5	14	22
K0752.4101	K0752.41027	M10	95	109	13	19	27	27,5	43	10	27	63	67,5	17	24
K0752.4121	K0752.41227	M12	95	109	13	19	27	27,5	43	10	27	63	67,5	17	24
K0752.5121	K0752.51227	M12	110	126	15	23	31	32	49	12	31,5	73	77,5	23	26
K0752.5161	K0752.51627	M16	110	126	15	23	31	32	49	12	31,5	73	77,5	23	26

Clamping levers steel

external thread



Material:

Handle steel 1.0401.

All other steel parts grade 5.8.

Version:

Handle powder-coated, fine-textured structure.
Steel parts black oxidised.

Sample order:

K0752.1051X20

Note:

Standard colours are:
black or ruby red RAL 3003.

Where $L \geq 60$ mm the thread length is always 60 mm.

Drawing reference:

1) flat point DIN EN ISO 4753



KIPP Specifications

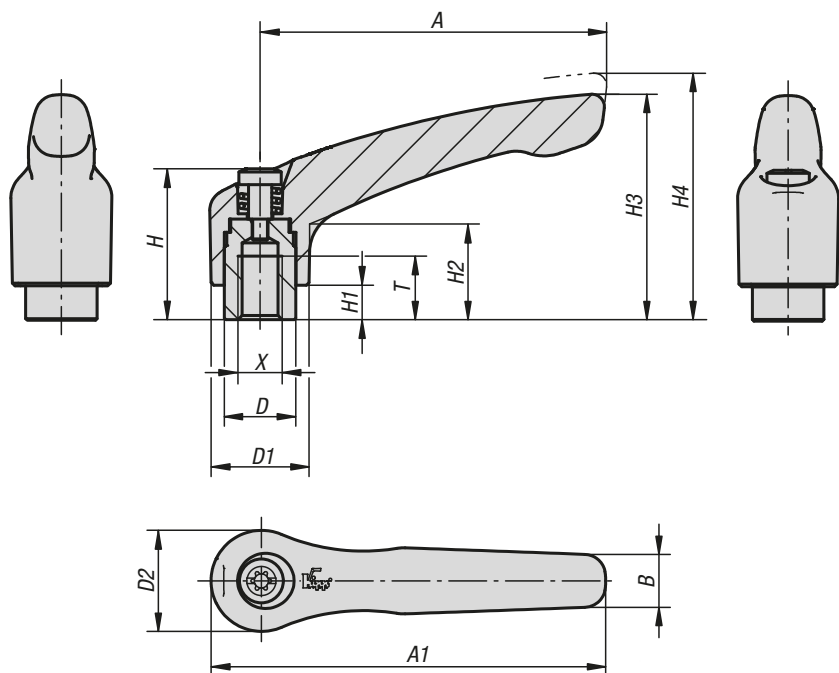
Size	X	A	A1	B	D	D1	D2	H	H1	H2	H3	H4	No. of teeth
1	M5/M6	40	47	7	10	13	14	24,5	4	14,5	31	34	16
2	M6/M8/M10	65	74,5	10	13,5	18,5	19	28,5	6,5	17,5	42,5	45,5	20
3	M8/M10	80	91	11	16	21	22	37	10	24	54,5	58,5	22
4	M10/M12	95	109	13	19	27	27,5	43	10	27	63	67,5	24
5	M12/M16	110	126	15	23	31	32	49	12	31,5	73	77,5	26

KIPP Clamping levers steel with external thread

Order No. black	Order No. ruby red RAL3003	Size	X	L
K0752.1051X	K0752.10527X	1	M5	10/15/20/25/30/35/40/45/50
K0752.1061X	K0752.10627X	1	M6	10/15/20/25/30/35/40/45/50
K0752.2061X	K0752.20627X	2	M6	15/20/25/30/35/40/45/50/55/60
K0752.2081X	K0752.20827X	2	M8	15/20/25/30/35/40/45/50/55/60
K0752.2101X	K0752.21027X	2	M10	15/20/25/30/35/40/45/50/55/60
K0752.3081X	K0752.30827X	3	M8	15/20/25/30/35/40/45/50/55/60
K0752.3101X	K0752.31027X	3	M10	15/20/25/30/35/40/45/50/55/60
K0752.4101X	K0752.41027X	4	M10	20/25/30/35/40/45/50/55/60/70/80/90
K0752.4121X	K0752.41227X	4	M12	20/25/30/35/40/45/50/55/60/70/80/90
K0752.5121X	K0752.51227X	5	M12	25/30/35/40/45/50/55/60/70/80/90
K0752.5161X	K0752.51627X	5	M16	25/30/35/40/45/50/55/60/70/80/90

Clamping levers

internal thread



Material:
Handle die-cast zinc DIN EN 12844.
Steel parts grade 5.8.

Version:
Handle powder-coated or high-gloss chromed.
Steel parts black oxidised.

Sample order:
K0122.1041

Note:
Δ Add the desired lever colour here.
Standard colours are:
black satin finish, orange RAL 2004, ruby red RAL 3003, silver metallic, high gloss chromed.

On request:
Other threads, colours and special versions.
Dimension "H1" available in other lengths at extra charge.

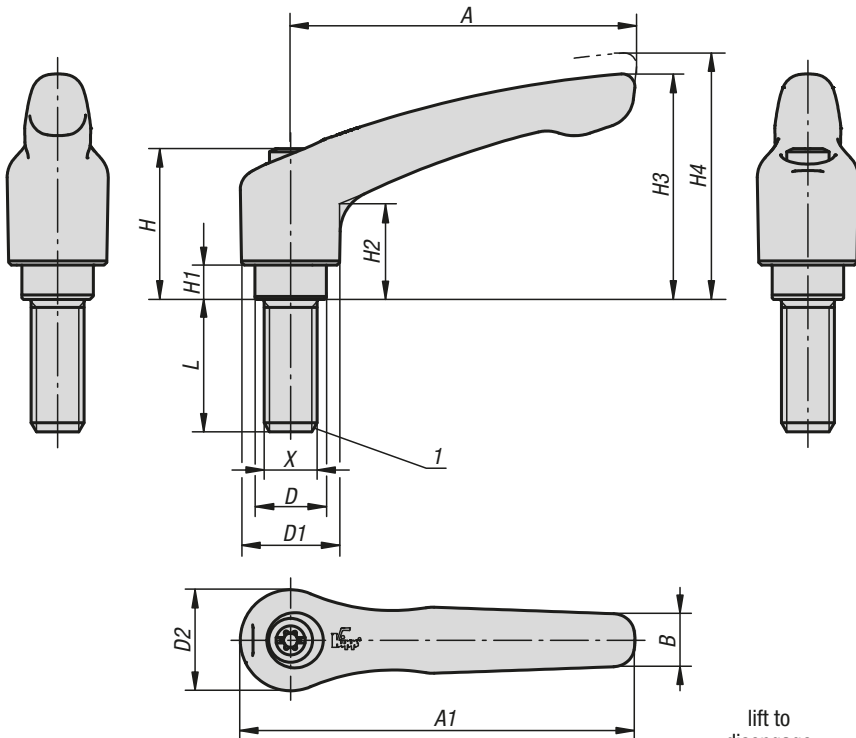


KIPP Clamping levers with internal thread

Order No.	X	A	A1	B	D	D1	D2	H	H1	H2	H3	H4	T	No. of teeth
K0122.003Δ	M3	30	37	7	10	13	14	24,5	4	14,5	30	33	9	16
K0122.004Δ	M4	30	37	7	10	13	14	24,5	4	14,5	30	33	9	16
K0122.005Δ	M5	30	37	7	10	13	14	24,5	4	14,5	30	33	9	16
K0122.104Δ	M4	40	47	7	10	13	14	24,5	4	14,5	31	34	9	16
K0122.105Δ	M5	40	47	7	10	13	14	24,5	4	14,5	31	34	9	16
K0122.106Δ	M6	40	47	7	10	13	14	24,5	4	14,5	31	34	9	16
K0122.206Δ	M6	65	74,5	9,5	13,5	18,5	19	28,5	6,5	17,5	42,5	45,5	12	20
K0122.208Δ	M8	65	74,5	9,5	13,5	18,5	19	28,5	6,5	17,5	42,5	45,5	12	20
K0122.308Δ	M8	80	91	11	16	21	22	37	10	24	54,5	58,5	14	22
K0122.310Δ	M10	80	91	11	16	21	22	37	10	24	54,5	58,5	14	22
K0122.410Δ	M10	95	109	13	19	27	27,5	43	10	27	63	67,5	17	24
K0122.412Δ	M12	95	109	13	19	27	27,5	43	10	27	63	67,5	17	24
K0122.512Δ	M12	110	126	15	23	31	32	49	12	31,5	73	77,5	23	26
K0122.516Δ	M16	110	126	15	23	31	32	49	12	31,5	73	77,5	23	26

Clamping levers

external thread



Material:

Handle die-cast zinc DIN EN 12844.
Steel parts grade 5.8.

Version:

Handle powder-coated or high-gloss chromed.
Steel parts black oxidised.

Sample order:

K0122.0041X10 (clamping lever, black satin finish; include length L)

Note:

Δ Add the desired lever colour here.
Standard colours are:
black satin finish, orange RAL 2004, ruby red RAL 3003, silver metallic, high gloss chromed.

Where L ≥ 60 mm the thread length is 60 mm.

On request:

Other threads, screw lengths, colours and special versions.

Dimension "H1" available in other lengths at extra charge.

Drawing reference:

1) flat point DIN EN ISO 4753

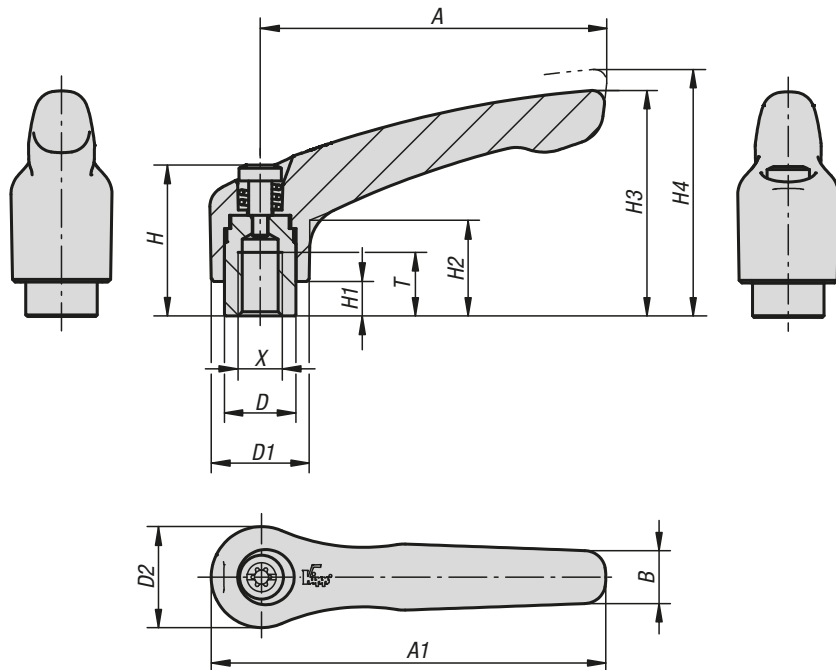


KIPP Clamping levers with external thread

Order No.	X	A	A1	B	D	D1	D2	H	H1	H2	H3	H4	No. of teeth	L
K0122.004ΔX	M4	30	37	7	10	13	14	24,5	4	14,5	30	33	16	10/15/20/25/30/35/40/45/50
K0122.005ΔX	M5	30	37	7	10	13	14	24,5	4	14,5	30	33	16	10/15/20/25/30/35/40/45/50
K0122.105ΔX	M5	40	47	7	10	13	14	24,5	4	14,5	31	34	16	10/15/20/25/30/35/40/45/50
K0122.106ΔX	M6	40	47	7	10	13	14	24,5	4	14,5	31	34	16	10/15/20/25/30/35/40/45/50
K0122.206ΔX	M6	65	74,5	9,5	13,5	18,5	19	28,5	6,5	17,5	42,5	45,5	20	15/20/25/30/35/40/45/50/55/60
K0122.208ΔX	M8	65	74,5	9,5	13,5	18,5	19	28,5	6,5	17,5	42,5	45,5	20	15/20/25/30/35/40/45/50/55/60
K0122.210ΔX	M10	65	74,5	9,5	13,5	18,5	19	28,5	6,5	17,5	42,5	45,5	20	15/20/25/30/35/40/45/50/55/60
K0122.308ΔX	M8	80	91	11	16	21	22	37	10	24	54,5	58,5	22	15/20/25/30/35/40/45/50/55/60
K0122.310ΔX	M10	80	91	11	16	21	22	37	10	24	54,5	58,5	22	15/20/25/30/35/40/45/50/55/60
K0122.410ΔX	M10	95	109	13	19	27	27,5	43	10	27	63	67,5	24	20/25/30/35/40/45/50/55/60/70/80/90
K0122.412ΔX	M12	95	109	13	19	27	27,5	43	10	27	63	67,5	24	20/25/30/35/40/45/50/55/60/70/80/90
K0122.512ΔX	M12	110	126	15	23	31	32	49	12	31,5	73	77,5	26	25/30/35/40/45/50/55/60/70/80/90
K0122.516ΔX	M16	110	126	15	23	31	32	49	12	31,5	73	77,5	26	25/30/35/40/45/50/55/60/70/80/90

Clamping levers, zinc

with internal thread, steel parts trivalent blue passivated



Material:

Handle die-cast zinc DIN EN 12844.
Steel parts grade 5.8.

Version:

Handle plastic-coated or high-gloss chromed.
Steel parts trivalent blue passivated.

Sample order:

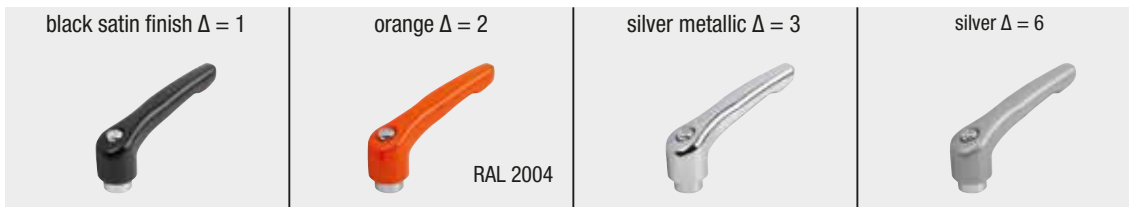
K1659.0041

Note:

Δ Add the desired lever colour here.
Standard colours are:
black satin finish, orange RAL 2004, silver metallic, high gloss chromed.

On request:

Other threads, colours and special versions.
Dimension "H1" available in other lengths at extra charge.

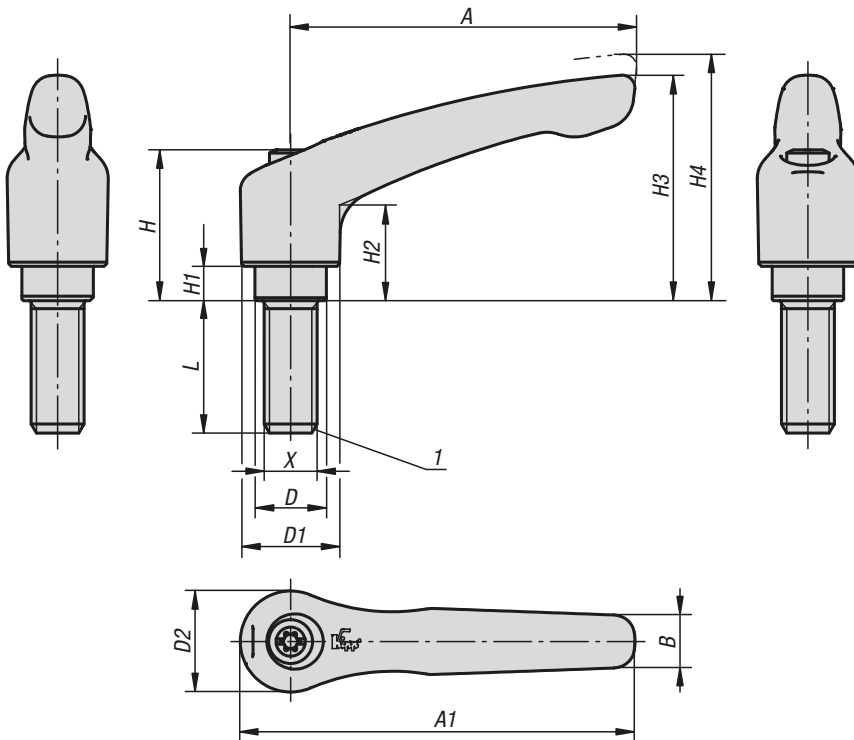


KIPP Clamping levers with internal thread

Order No.	X	A	A1	B	D	D1	D2	H	H1	H2	H3	H4	T	No. of teeth
K1659.003Δ	M3	30	37	7	10	13	14	24,5	4	14,5	30	33	9	16
K1659.004Δ	M4	30	37	7	10	13	14	24,5	4	14,5	30	33	9	16
K1659.005Δ	M5	30	37	7	10	13	14	24,5	4	14,5	30	33	9	16
K1659.104Δ	M4	40	47	7	10	13	14	24,5	4	14,5	31	34	9	16
K1659.105Δ	M5	40	47	7	10	13	14	24,5	4	14,5	31	34	9	16
K1659.106Δ	M6	40	47	7	10	13	14	24,5	4	14,5	31	34	9	16
K1659.206Δ	M6	65	74,5	9,5	13,5	18,5	19	28,5	6,5	17,5	42,5	45,5	12	20
K1659.208Δ	M8	65	74,5	9,5	13,5	18,5	19	28,5	6,5	17,5	42,5	45,5	12	20
K1659.308Δ	M8	80	91	11	16	21	22	37	10	24	54,5	58,5	14	22
K1659.310Δ	M10	80	91	11	16	21	22	37	10	24	54,5	58,5	14	22
K1659.410Δ	M10	95	109	13	19	27	27,5	43	10	27	63	67,5	17	24
K1659.412Δ	M12	95	109	13	19	27	27,5	43	10	27	63	67,5	17	24
K1659.512Δ	M12	110	126	15	23	31	32	49	12	31,5	73	77,5	23	26
K1659.516Δ	M16	110	126	15	23	31	32	49	12	31,5	73	77,5	23	26

Clamping levers, zinc

with external thread, steel parts trivalent blue passivated



Material:

Handle die-cast zinc DIN EN 12844.
Steel parts grade 5.8.

Version:

Handle plastic-coated or high-gloss chromed.
Steel parts trivalent blue passivated.

Sample order:

K1659.0041X10 (clamping lever, black satin finish;
include length L)

Note:

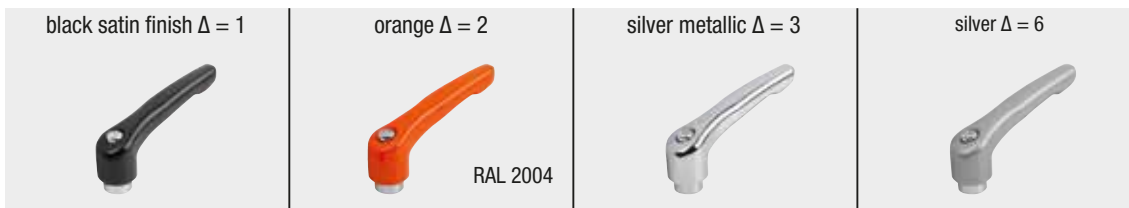
Δ Add the desired lever colour here.
Standard colours are:
black satin finish, orange RAL 2004, silver metallic, high
gloss chromed.
Where L ≥ 60 mm the thread length is 60 mm.

On request:

Other threads, colours and special versions.
Dimension "H1" available in other lengths at extra charge.

Drawing reference:

1) flat point DIN EN ISO 4753

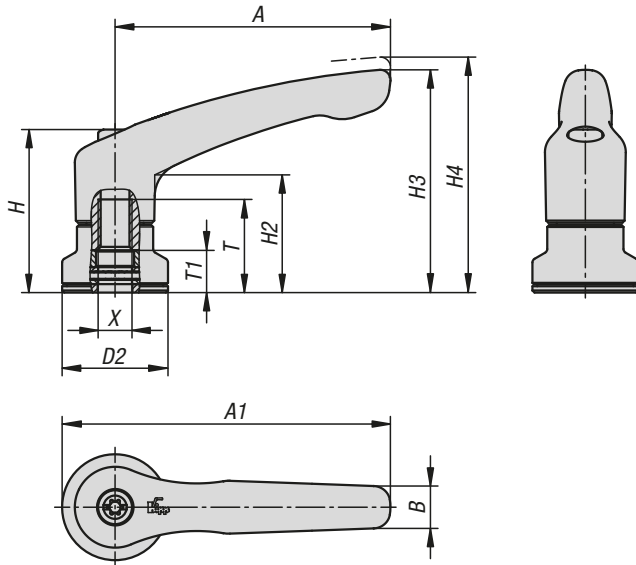


KIPP Clamping levers with external thread

Order No.	X	A	A1	B	D	D1	D2	H	H1	H2	H3	H4	No. of teeth	L
K1659.004ΔX	M4	30	37	7	10	13	14	24,5	4	14,5	30	33	16	10/15/20/25/30/35/40/45/50
K1659.005ΔX	M5	30	37	7	10	13	14	24,5	4	14,5	30	33	16	10/15/20/25/30/35/40/45/50
K1659.105ΔX	M5	40	47	7	10	13	14	24,5	4	14,5	31	34	16	10/15/20/25/30/35/40/45/50
K1659.106ΔX	M6	40	47	7	10	13	14	24,5	4	14,5	31	34	16	10/15/20/25/30/35/40/45/50
K1659.206ΔX	M6	65	74,5	9,5	13,5	18,5	19	28,5	6,5	17,5	42,5	45,5	20	15/20/25/30/35/40/45/50/55/60
K1659.208ΔX	M8	65	74,5	9,5	13,5	18,5	19	28,5	6,5	17,5	42,5	45,5	20	15/20/25/30/35/40/45/50/55/60
K1659.210ΔX	M10	65	74,5	9,5	13,5	18,5	19	28,5	6,5	17,5	42,5	45,5	20	15/20/25/30/35/40/45/50/55/60
K1659.308ΔX	M8	80	91	11	16	21	22	37	10	24	54,5	58,5	22	15/20/25/30/35/40/45/50/55/60
K1659.310ΔX	M10	80	91	11	16	21	22	37	10	24	54,5	58,5	22	15/20/25/30/35/40/45/50/55/60
K1659.410ΔX	M10	95	109	13	19	27	27,5	43	10	27	63	67,5	24	20/25/30/35/40/45/50/55/60/70/80/90
K1659.412ΔX	M12	95	109	13	19	27	27,5	43	10	27	63	67,5	24	20/25/30/35/40/45/50/55/60/70/80/90
K1659.512ΔX	M12	110	126	15	23	31	32	49	12	31,5	73	77,5	26	25/30/35/40/45/50/55/60/70/80/90
K1659.516ΔX	M16	110	126	15	23	31	32	49	12	31,10	73	77,10	26	25/30/35/40/45/50/55/60/70/80/90

Clamping levers, zinc

with female thread and clamping force intensifier



By using clamping levers with integrated clamping force intensifier, the clamping force can be increased by up to 75% compared to standard clamping levers.

Furthermore, this product can also be used by persons with limited hand strength (e.g. in rehabilitation) to achieve comparable clamping forces with less effort. Less effort is also needed to loosen the clamping lever.

The increase in clamping force is achieved by the integral needle roller thrust bearing, which generates very low surface friction on a rigid contact surface during clamping. The hardened thrust washers are designed for high clamping forces and the bearing with its high load rating guarantees a long service life.

The clamped component is permanently protected by the large, stationary contact surface. A washer is no longer required.

Material:

Handle die-cast zinc DIN EN 12844.
Steel parts grade 5.8.

Version:

Handle plastic-coated or high-gloss trivalent passivated
Steel parts, black oxidised.
Axial needle bearing with hardened and ground thrust washer.

Sample order:

K1599.5121 (clamping lever, black satin finish)

Note:

Δ Add the desired lever colour here.
Standard colours are:
black satin finish, orange RAL 2004, ruby red RAL 3003, silver metallic, high gloss chromed.

Method of operation:

In the default position, the handle is engaged with the threaded insert through a toothed ring. By lifting the handle, it can be repositioned and re-engaged in the toothed ring by spring force.

Application:

Machine, equipment and plant construction, rehabilitation sector.

Advantages:

Significant increase of the clamping force with the same tightening torque.
High quality axial needle bearing with high load rating and long service life.
The component surface is protected by the stationary lower ring.

On request:

Other colours.

Clamping levers, zinc

with female thread and clamping force intensifier



KIPP Clamping levers, zinc with female thread and clamping force intensifier

Order No.	X	D2	H	H2	H3	H4	A	A1	B	T	T1
K1599.208Δ	M8	25	38,5	27,7	52,6	55,6	65	77,5	10	22	10
K1599.310Δ	M10	30	47	33,9	64,4	68,6	80	95	11,2	24	10
K1599.410Δ	M10	30	53,1	37,2	72,8	77,3	95	110	13,2	27	10
K1599.512Δ	M12	35	59,1	41,9	83	87,5	110	127,5	15,4	33	10
K1599.310Δ	M10	30	47	33,9	4,4	68,6	80	95	11,2	24	10

Clamping levers, zinc

with male thread and clamping force intensifier



By using clamping levers with integrated clamping force intensifier, the clamping force can be increased by up to 75% compared to standard clamping levers.

Furthermore, this product can also be used by persons with limited hand strength (e.g. in rehabilitation) to achieve comparable clamping forces with less effort. Less effort is also needed to loosen the clamping lever.

The increase in clamping force is achieved by the integral needle roller thrust bearing, which generates very low surface friction on a rigid contact surface during clamping. The hardened thrust washers are designed for high clamping forces and the bearing with its high load rating guarantees a long service life.

The clamped component is permanently protected by the large, stationary contact surface. A washer is no longer required.

Due to the modular construction many special designs are available.

Material:

Handle die-cast zinc DIN EN 12844.
Steel parts grade 5.8.

Version:

Handle plastic-coated or high-gloss trivalent passivated
Steel parts, black oxidised.
Axial needle bearing with hardened and ground thrust washer.

Sample order:

K1599.5121X20
(clamping lever, black satin finish; include length L)

Note:

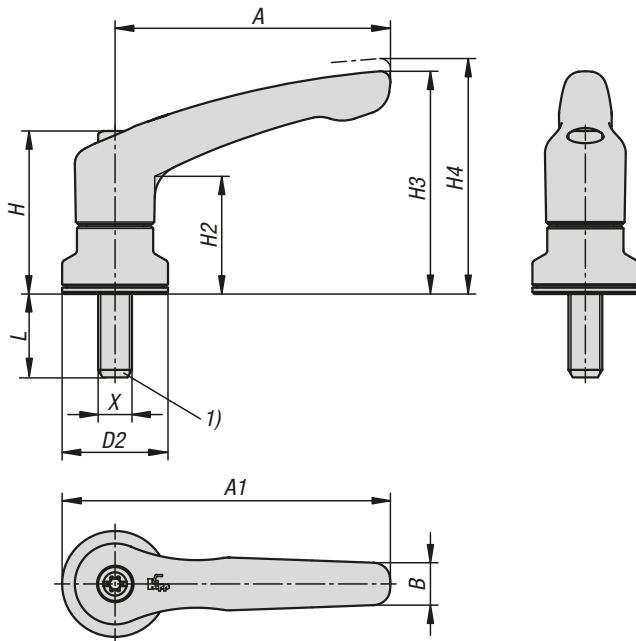
Δ Add the desired lever colour here.
Standard colours are:
black satin finish, orange RAL 2004, ruby red RAL 3003,
silver metallic, high gloss chromed.

Method of operation:

In the default position, the handle is engaged with the threaded insert through a toothed ring. By lifting the handle, it can be repositioned and re-engaged in the toothed ring by spring force.

Application:

Machine, equipment and plant construction, rehabilitation sector.



Clamping levers, zinc

with male thread and clamping force intensifier



Advantages:

Significant increase of the clamping force with the same tightening torque.
 High quality axial needle bearing with high load rating and long service life.
 The component surface is protected by the stationary lower ring.

On request:

Other colours and thread lengths.

Drawing reference:

1) flat point DIN EN ISO 4753

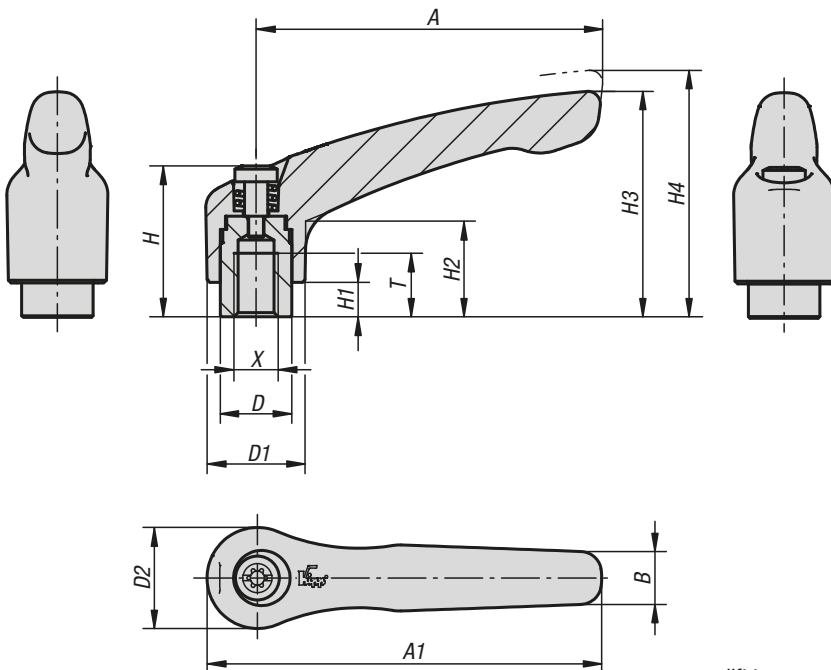


KIPP Clamping levers, zinc with male thread and clamping force intensifier

Order No.	X	D2	H	H2	H3	H4	A	A1	B	L
K1599.208 Δ X	M8	25	38,5	27,7	52,6	55,6	65	77,5	10	10/20/30/40
K1599.310 Δ X	M10	30	47	33,9	64,4	68,6	80	95	11,2	15/30/40/50
K1599.410 Δ X	M10	30	53,1	37,2	72,8	77,3	95	110	13,2	20/30/40/50
K1599.512 Δ X	M12	35	59,1	41,9	83	87,5	110	127,5	15,4	20/30/40/50

Clamping levers

internal thread, steel parts stainless steel



Material:
Handle die-cast zinc DIN EN 12844.
Steel parts stainless steel 1.4305.

Version:
Handle powder-coated or high-gloss chromed.
Steel parts bright.

Sample order:
K0123.1051 (clamping lever, black satin finish)

Note:
Δ Add the desired lever colour here.
Standard colours are:
black satin finish, orange RAL 2004, ruby red RAL 3003, silver metallic, high gloss chromed.

On request:
Other threads, colours and special versions.
Dimension "H1" available in other lengths at extra charge.

lift to disengage

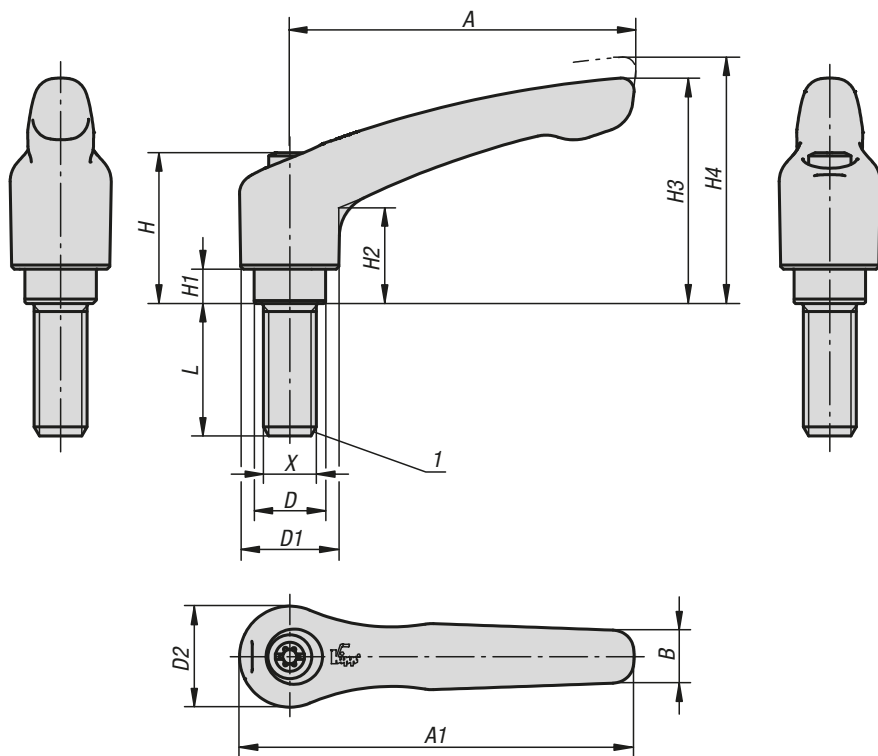


KIPP Clamping levers with internal thread, steel parts stainless steel

Order No.	X	A	A1	B	D	D1	D2	H	H1	H2	H3	H4	T	No. of teeth
K0123.003Δ	M3	30	37	7	10	13	14	24,5	4	14,5	30	33	9	16
K0123.004Δ	M4	30	37	7	10	13	14	24,5	4	14,5	30	33	9	16
K0123.005Δ	M5	30	37	7	10	13	14	24,5	4	14,5	30	33	9	16
K0123.104Δ	M4	40	47	7	10	13	14	24,5	4	14,5	31	34	9	16
K0123.105Δ	M5	40	47	7	10	13	14	24,5	4	14,5	31	34	9	16
K0123.106Δ	M6	40	47	7	10	13	14	24,5	4	14,5	31	34	9	16
K0123.206Δ	M6	65	74,5	9,5	13,5	18,5	19	28,5	6,5	17,5	42,5	45,5	12	20
K0123.208Δ	M8	65	74,5	9,5	13,5	18,5	19	28,5	6,5	17,5	42,5	45,5	12	20
K0123.308Δ	M8	80	91	11	16	21	22	37	10	24	54,5	58,5	14	22
K0123.310Δ	M10	80	91	11	16	21	22	37	10	24	54,5	58,5	14	22
K0123.410Δ	M10	95	109	13	19	27	27,5	43	10	27	63	67,5	17	24
K0123.412Δ	M12	95	109	13	19	27	27,5	43	10	27	63	67,5	17	24
K0123.512Δ	M12	110	126	15	23	31	32	49	12	31,5	73	77,5	23	26
K0123.516Δ	M16	110	126	15	23	31	32	49	12	31,5	73	77,5	23	26

Clamping levers

external thread, steel parts stainless steel



Material:
Handle die-cast zinc DIN EN 12844.
Steel parts stainless steel 1.4305.

Version:
Handle powder-coated or high-gloss chromed.
Steel parts bright.

Sample order:
K0123.1051X25 (clamping lever, black satin finish; include length L)

Note:
Δ Add the desired lever colour here.
Standard colours are:
black satin finish, orange RAL 2004, ruby red RAL 3003, silver metallic, high gloss chromed.

Where $L \geq 60$ mm the thread length is 60 mm.

On request:
Other threads, screw lengths, colours and special versions.
Dimension "H1" available in other lengths at extra charge.

Drawing reference:
1) flat point DIN EN ISO 4753

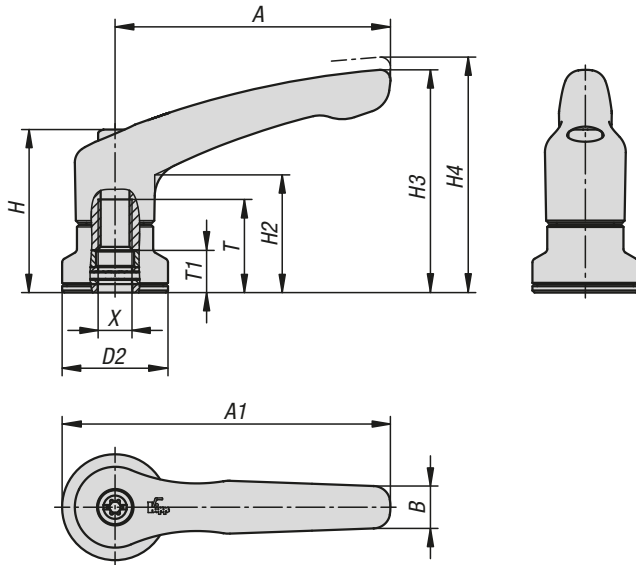


KIPP Clamping levers with external thread, steel parts stainless steel

Order No.	X	A	A1	B	D	D1	D2	H	H1	H2	H3	H4	No. of teeth	L
K0123.004ΔX	M4	30	37	7	10	13	14	24,5	4	14,5	30	33	16	10/15/20/25
K0123.005ΔX	M5	30	37	7	10	13	14	24,5	4	14,5	30	33	16	10/15/20/25
K0123.105ΔX	M5	40	47	7	10	13	14	24,5	4	14,5	31	34	16	10/15/20/25
K0123.106ΔX	M6	40	47	7	10	13	14	24,5	4	14,5	31	34	16	10/15/20/25/30/40/50
K0123.206ΔX	M6	65	74,5	9,5	13,5	18,5	19	28,5	6,5	17,5	42,5	45,5	20	15/20/25/30/40/50/60
K0123.208ΔX	M8	65	74,5	9,5	13,5	18,5	19	28,5	6,5	17,5	42,5	45,5	20	15/20/25/30/40/50/60
K0123.210ΔX	M10	65	74,5	9,5	13,5	18,5	19	28,5	6,5	17,5	42,5	45,5	20	20/25/30/40/50/60
K0123.308ΔX	M8	80	91	11	16	21	22	37	10	24	54,5	58,5	22	20/25/30/40/50/60
K0123.310ΔX	M10	80	91	11	16	21	22	37	10	24	54,5	58,5	22	20/25/30/40/50/60
K0123.412ΔX	M12	95	109	13	19	27	27,5	43	10	27	63	67,5	24	25/30/40/50/60
K0123.516ΔX	M16	110	126	15	23	31	32	49	12	31,5	73	77,5	26	30/40/50/60

Clamping levers, zinc

with female thread and clamping force intensifier



By using clamping levers with integrated clamping force intensifier, the clamping force can be increased by up to 75% compared to standard clamping levers.

Furthermore, this product can also be used by persons with limited hand strength (e.g. in rehabilitation) to achieve comparable clamping forces with less effort. Less effort is also needed to loosen the clamping lever.

The increase in clamping force is achieved by the integral needle roller thrust bearing, which generates very low surface friction on a rigid contact surface during clamping. The hardened thrust washers are designed for high clamping forces and the bearing with its high load rating guarantees a long service life.

The clamped component is permanently protected by the large, stationary contact surface. A washer is no longer required.

Material:

Handle die-cast zinc DIN EN 12844.
Steel parts stainless steel 1.4305.

Version:

Handle plastic-coated or high-gloss trivalent passivated
Steel parts bright.
Axial needle bearing with hardened and ground thrust washer.

Sample order:

K1626.5121 (clamping lever, black satin finish)

Note:

Δ Add the desired lever colour here.
Standard colours are:
black satin finish, orange RAL 2004, ruby red RAL 3003, silver metallic, high gloss chromed.

Method of operation:

In the default position, the handle is engaged with the threaded insert through a toothed ring. By lifting the handle, it can be repositioned and re-engaged in the toothed ring by spring force.

Application:

Machine, equipment and plant construction, rehabilitation sector.

Clamping levers, zinc

with female thread and clamping force intensifier



Advantages:

Significant increase of the clamping force with the same tightening torque.
 High quality axial needle bearing with high load rating and long service life.
 The component surface is protected by the stationary lower ring.

On request:

Other colours.



KIPP Clamping levers, zinc with female thread and clamping force intensifier

Order No.	X	D2	H	H2	H3	H4	A	A1	B	T	T1
K1626.208Δ	M8	25	38,5	27,7	52,6	55,6	65	77,5	10	22	10
K1626.310Δ	M10	30	47	33,9	64,4	68,6	80	95	11,2	24	10
K1626.410Δ	M10	30	53,1	37,2	72,8	77,3	95	110	13,2	27	10
K1626.512Δ	M12	35	59,1	41,9	83	87,5	110	127,5	15,4	33	10
K1626.310Δ	M10	30	47	33,9	4,4	68,6	80	95	11,2	24	10

Clamping levers, zinc

with male thread and clamping force intensifier



By using clamping levers with integrated clamping force intensifier, the clamping force can be increased by up to 75% compared to standard clamping levers.

Furthermore, this product can also be used by persons with limited hand strength (e.g. in rehabilitation) to achieve comparable clamping forces with less effort. Less effort is also needed to loosen the clamping lever.

The increase in clamping force is achieved by the integral needle roller thrust bearing, which generates very low surface friction on a rigid contact surface during clamping. The hardened thrust washers are designed for high clamping forces and the bearing with its high load rating guarantees a long service life.

The clamped component is permanently protected by the large, stationary contact surface. A washer is no longer required.

Due to the modular construction many special designs are available.

Material:

Handle die-cast zinc DIN EN 12844.

Steel parts stainless steel 1.4305.

Version:

Handle plastic-coated or high-gloss trivalent passivated

Steel parts bright.

Axial needle bearing with hardened and ground thrust washer.

Sample order:

K1626.5121X20 (clamping lever, black satin finish; include length L)

Note:

Δ Add the desired lever colour here.

Standard colours are:

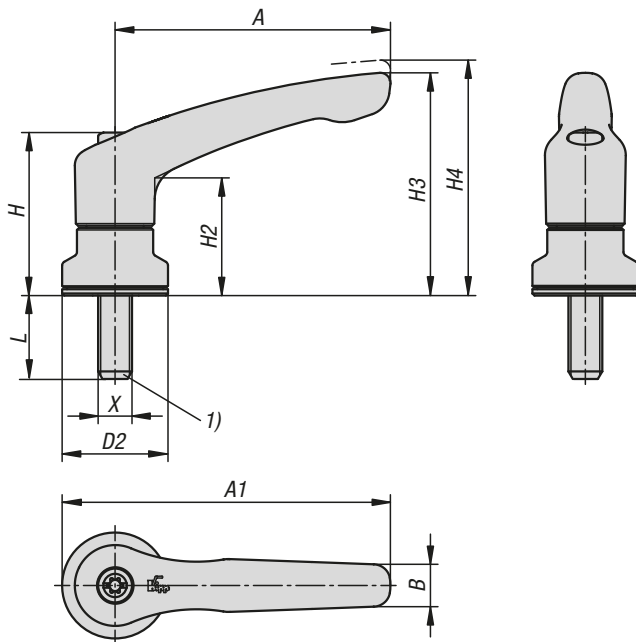
black satin finish, orange RAL 2004, ruby red RAL 3003, silver metallic, high gloss chromed.

Method of operation:

In the default position, the handle is engaged with the threaded insert through a toothed ring. By lifting the handle, it can be repositioned and re-engaged in the toothed ring by spring force.

Application:

Machine, equipment and plant construction, rehabilitation sector.



Clamping levers, zinc

with male thread and clamping force intensifier



Advantages:

Significant increase of the clamping force with the same tightening torque.
 High quality axial needle bearing with high load rating and long service life.
 The component surface is protected by the stationary lower ring.

On request:

Other colours and thread lengths.

Drawing reference:

1) flat point DIN EN ISO 4753

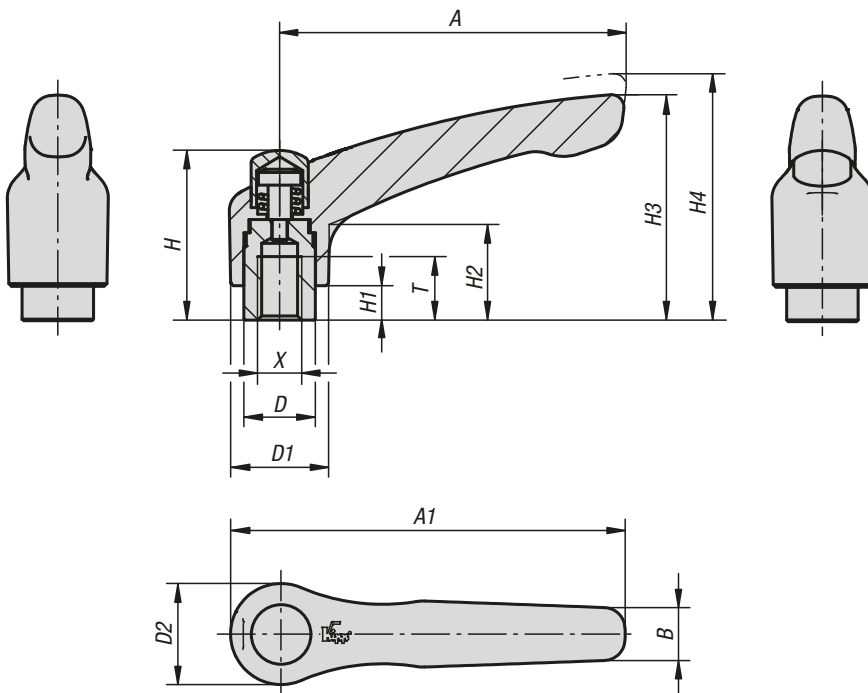


KIPP Clamping levers, zinc with male thread and clamping force intensifier

Order No.	X	D2	H	H2	H3	H4	A	A1	B	L
K1626.208ΔX	M8	25	38,5	27,7	52,6	55,6	65	77,5	10	10/20/30/40
K1626.310ΔX	M10	30	47	33,9	64,4	68,6	80	95	11,2	15/30/40/50
K1626.410ΔX	M10	30	53,1	37,2	72,8	77,3	95	110	13,2	20/30/40/50
K1626.512ΔX	M12	35	59,1	41,9	83	87,5	110	127,5	15,4	20/30/40/50

Clamping levers with protective cap

internal thread



Material:

Handle die-cast zinc DIN EN 12844.
Steel parts grade 5.8.
Protective cap stainless steel 1.4305.

Version:

Handle powder-coated.
Steel parts black oxidised.
Caps bright stainless steel.

Sample order:

K0122.92081

Note:

Standard colours are:
black satin finish, orange RAL 2004.

On request:

Other threads, colours and special versions.
Dimension "H1" available in other lengths at extra charge.

lift to disengage

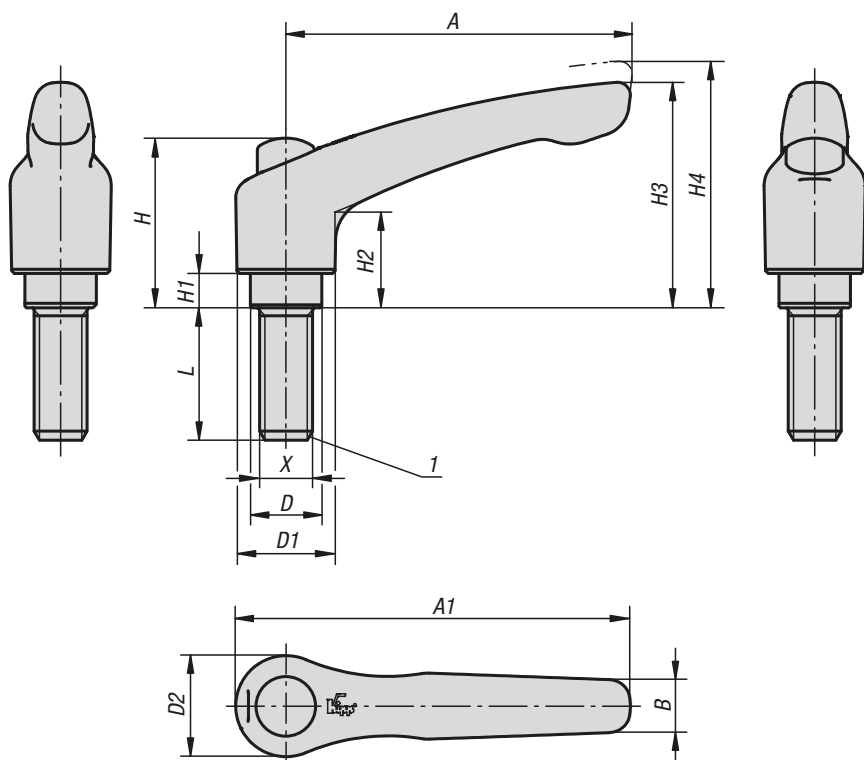


KIPP Clamping levers with protective cap, internal thread

Order No. black	Order No. orange RAL 2004	X	A	A1	B	D	D1	D2	H	H1	H2	H3	H4	T	No. of teeth
K0122.92061	K0122.92062	M6	65	74,5	9,5	13,5	18,5	19	32	6,5	17,5	42,5	45,5	12	20
K0122.92081	K0122.92082	M8	65	74,5	9,5	13,5	18,5	19	32	6,5	17,5	42,5	45,5	12	20
K0122.93081	K0122.93082	M8	80	91	11	16	21	22	41,5	10	24	54,5	58,5	14	22
K0122.93101	K0122.93102	M10	80	91	11	16	21	22	41,5	10	24	54,5	58,5	14	22

Clamping levers with protective cap

external thread



Material:

Handle die-cast zinc DIN EN 12844.
Steel parts grade 5.8.
Protective cap stainless steel 1.4305.

Version:

Handle powder-coated.
Steel parts black oxidised.
Caps bright stainless steel.

Sample order:

K0122.92081X30 (include length L)

Note:

Standard colours are:
black satin finish, orange RAL 2004.

Where L is ≥ 60 mm the thread length is 60 mm.

On request:

Other threads, screw lengths, colours and special versions.
Dimension "H1" available in other lengths at extra charge.

Drawing reference:

1) flat point DIN EN ISO 4753

lift to
disengage



KIPP Specifications

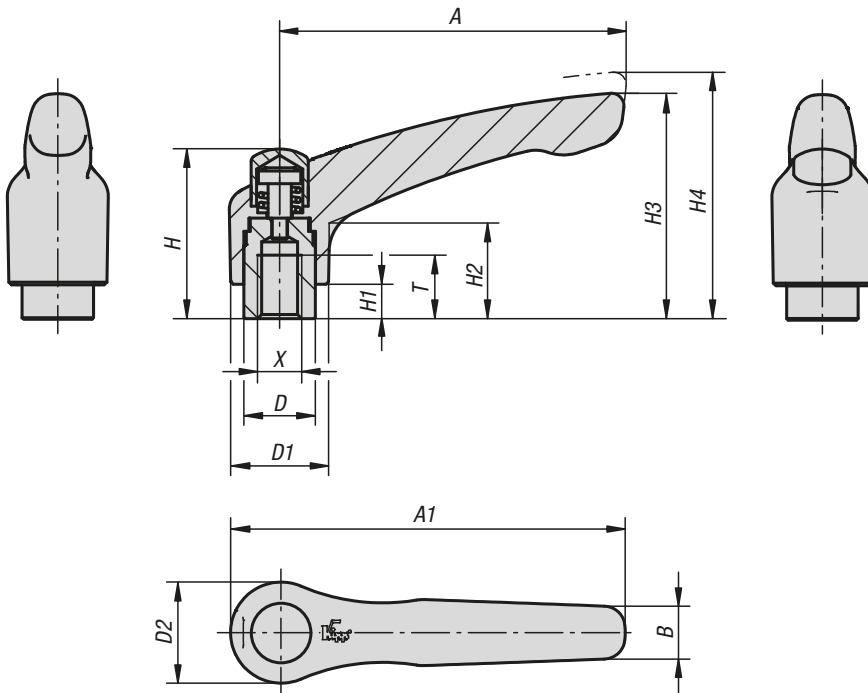
Size	X	A	A1	B	D	D1	D2	H	H1	H2	H3	H4	No. of teeth
2	M6/M8/M10	65	74,5	9,5	13,5	18,5	19	32	6,5	17,5	42,5	45,5	20
3	M8/M10	80	91	11	16	21	22	41,5	10	24	54,5	58,5	22

KIPP Clamping levers with protective cap, external thread

Order No. black	Order No. orange RAL 2004	Size	X	L
K0122.92061X	K0122.92062X	2	M6	15/20/25/30/35/40/45/50/55/60
K0122.92081X	K0122.92082X	2	M8	15/20/25/30/35/40/45/50/55/60
K0122.92101X	K0122.92102X	2	M10	15/20/25/30/35/40/45/50/55/60
K0122.93081X	K0122.93082X	3	M8	15/20/25/30/35/40/45/50/55/60
K0122.93101X	K0122.93102X	3	M10	15/20/25/30/35/40/45/50/55/60

Clamping levers with protective cap

internal thread, steel parts stainless steel



Material:

Handle die-cast zinc DIN EN 12844.
Steel parts and cap 1.4305 stainless steel.

Version:

Handle powder-coated.
Steel parts bright.

Sample order:

K0123.92081

Note:

Standard colours are:
black satin finish, orange RAL 2004.

On request:

Other threads, colours and special versions.
Dimension "H1" available in other lengths at extra charge.

lift to
disengage

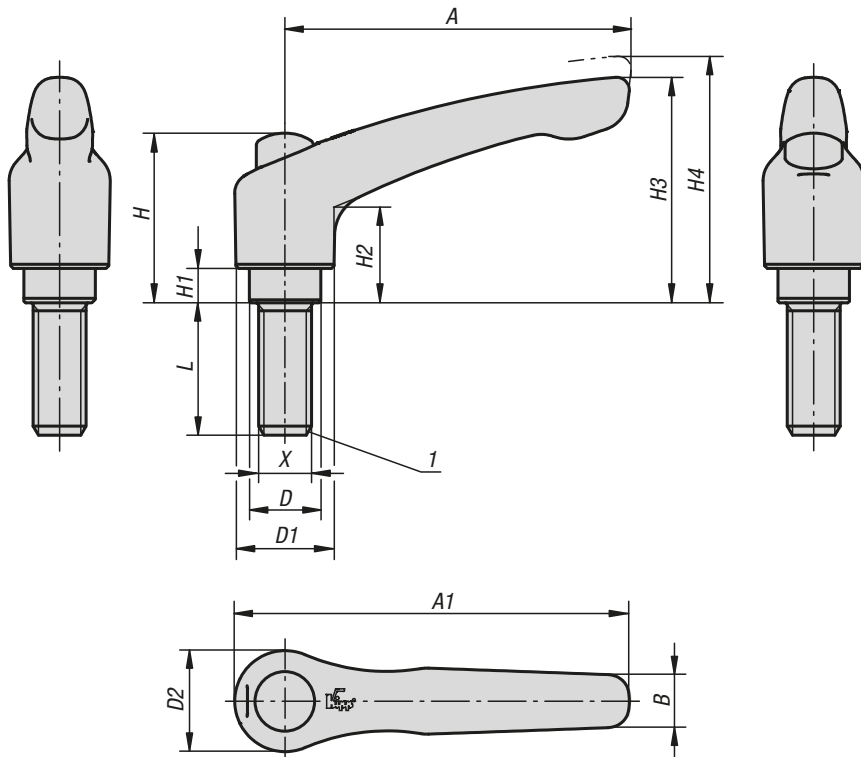


KIPP Clamping levers with protective cap, internal thread, steel parts stainless steel

Order No. black	Order No. orange RAL 2004	X	A	A1	B	D	D1	D2	H	H1	H2	H3	H4	T	No. of teeth
K0123.92061	K0123.92062	M6	65	74,5	9,5	13,5	18,5	19	32	6,5	17,5	42,5	45,5	12	20
K0123.92081	K0123.92082	M8	65	74,5	9,5	13,5	18,5	19	32	6,5	17,5	42,5	45,5	12	20
K0123.93081	K0123.93082	M8	80	91	11	16	21	22	41,5	10	24	54,5	58,5	14	22
K0123.93101	K0123.93102	M10	80	91	11	16	21	22	41,5	10	24	54,5	58,5	14	22

Clamping levers with protective cap

external thread, steel parts stainless steel



Material:

Handle die-cast zinc DIN EN 12844.
Steel parts and cap 1.4305 stainless steel.

Version:

Handle powder-coated.
Steel parts bright.

Sample order:

K0123.92081X30 (include length L)

Note:

Standard colours are:
black satin finish, orange RAL 2004.

Where L is ≥ 60 mm the thread length is 60 mm.

On request:

Other threads, screw lengths, colours and special versions.
Dimension "H1" available in other lengths at extra charge.

Drawing reference:

1) flat point DIN EN ISO 4753

lift to disengage



KIPP Specifications

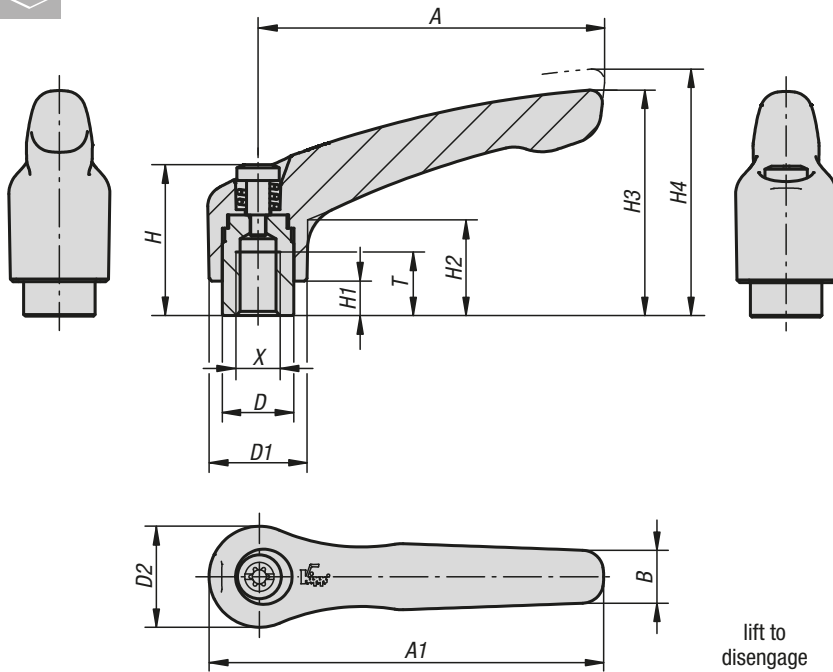
Size	X	A	A1	B	D	D1	D2	H	H1	H2	H3	H4	No. of teeth
2	M6/M8/M10	65	74,5	9,5	13,5	18,5	19	32	6,5	17,5	42,5	45,5	20
3	M8/M10	80	91	11	16	21	22	41,5	10	24	54,5	58,5	22

KIPP Clamping levers with protective cap, external thread, steel parts stainless steel

Order No. black	Order No. orange RAL 2004	Size	X	L
K0123.92061X	K0123.92062X	2	M6	15/20/25/30/40/50/60
K0123.92081X	K0123.92082X	2	M8	15/20/25/30/40/50/60
K0123.92101X	K0123.92102X	2	M10	20/25/30/40/50/60
K0123.93081X	K0123.93082X	3	M8	20/25/30/40/50/60
K0123.93101X	K0123.93102X	3	M10	20/25/30/40/50/60

Clamping levers

internal thread, stainless steel



Material:

Handle investment cast 1.4308.

Other steel parts 1.4305.

Version:

Handle electropolished or blasted.

Metal parts bright.

Sample order:

K0124.105

On request:

Other threads and special versions.

Dimension "H1" available in other lengths at extra charge.

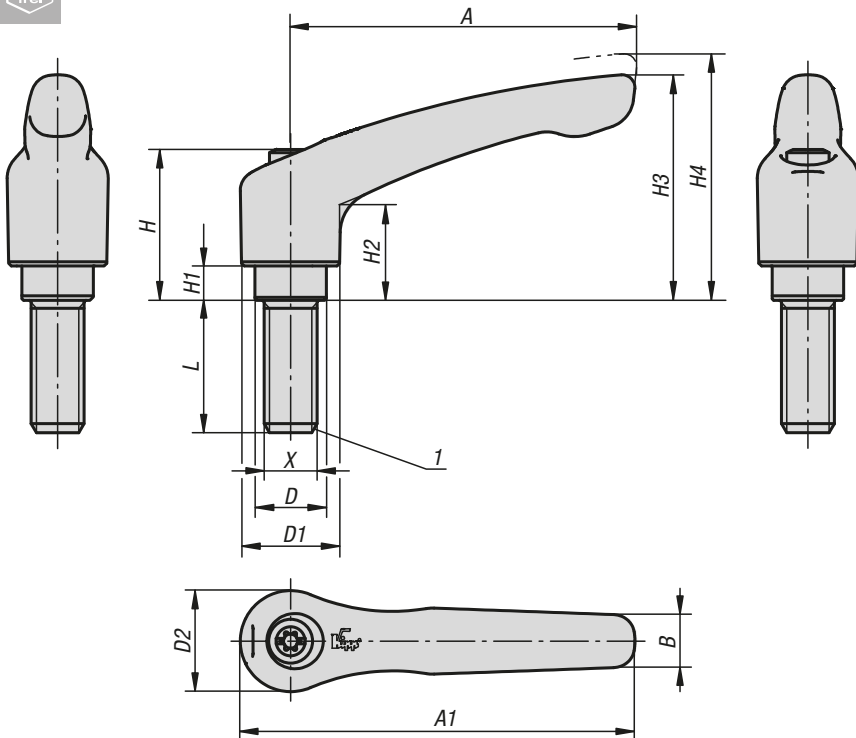


KIPP Clamping levers with internal thread, stainless steel

Order No.	Main colour	X	A	A1	B	D	D1	D2	H	H1	H2	H3	H4	T	No. of teeth
K0124.104	electropolished	M4	40	47	7	10	13	14	24,5	4	14,5	31	34	9	16
K0124.105	electropolished	M5	40	47	7	10	13	14	24,5	4	14,5	31	34	9	16
K0124.106	electropolished	M6	40	47	7	10	13	14	24,5	4	14,5	31	34	9	16
K0124.206	electropolished	M6	65	74,5	10	13,5	18,5	19	28,5	6,5	17,5	42,5	45,5	12	20
K0124.208	electropolished	M8	65	74,5	10	13,5	18,5	19	28,5	6,5	17,5	42,5	45,5	12	20
K0124.308	electropolished	M8	80	91	11	16	21	22	37	10	24	54,5	58,5	14	22
K0124.310	electropolished	M10	80	91	11	16	21	22	37	10	24	54,5	58,5	14	22
K0124.410	electropolished	M10	95	109	13	19	27	27,5	43	10	27	63	67,5	17	24
K0124.412	electropolished	M12	95	109	13	19	27	27,5	43	10	27	63	67,5	17	24
K0124.512	electropolished	M12	110	126	15	23	31	32	49	12	31,5	73	77,5	23	26
K0124.516	electropolished	M16	110	126	15	23	31	32	49	12	31,5	73	77,5	23	26
K0124.104153	blasted	M4	40	47	7	10	13	14	24,5	4	14,5	31	34	9	16
K0124.105153	blasted	M5	40	47	7	10	13	14	24,5	4	14,5	31	34	9	16
K0124.106153	blasted	M6	40	47	7	10	13	14	24,5	4	14,5	31	34	9	16
K0124.206153	blasted	M6	65	74,5	10	13,5	18,5	19	28,5	6,5	17,5	42,5	45,5	12	20
K0124.208153	blasted	M8	65	74,5	10	13,5	18,5	19	28,5	6,5	17,5	42,5	45,5	12	20
K0124.308153	blasted	M8	80	91	11	16	21	22	37	10	24	54,5	58,5	14	22
K0124.310153	blasted	M10	80	91	11	16	21	22	37	10	24	54,5	58,5	14	22
K0124.410153	blasted	M10	95	109	13	19	27	27,5	43	10	27	63	67,5	17	24
K0124.412153	blasted	M12	95	109	13	19	27	27,5	43	10	27	63	67,5	17	24
K0124.512153	blasted	M12	110	126	15	23	31	32	49	12	31,5	73	77,5	23	26
K0124.516153	blasted	M16	110	126	15	23	31	32	49	12	31,5	73	77,5	23	26

Clamping levers

external thread, stainless steel



Material:
Handle investment cast 1.4308.
Other steel parts 1.4305.

Version:
Handle electropolished or blasted.
Metal parts bright.

Sample order:
K0124.105X10 (include length L)

Note:
Where $L \geq 60$ mm the thread length is always 60 mm.

On request:
Other threads, screw lengths and special versions.
Dimension "H1" available in other lengths at extra charge.

Drawing reference:
1) flat point DIN EN ISO 4753

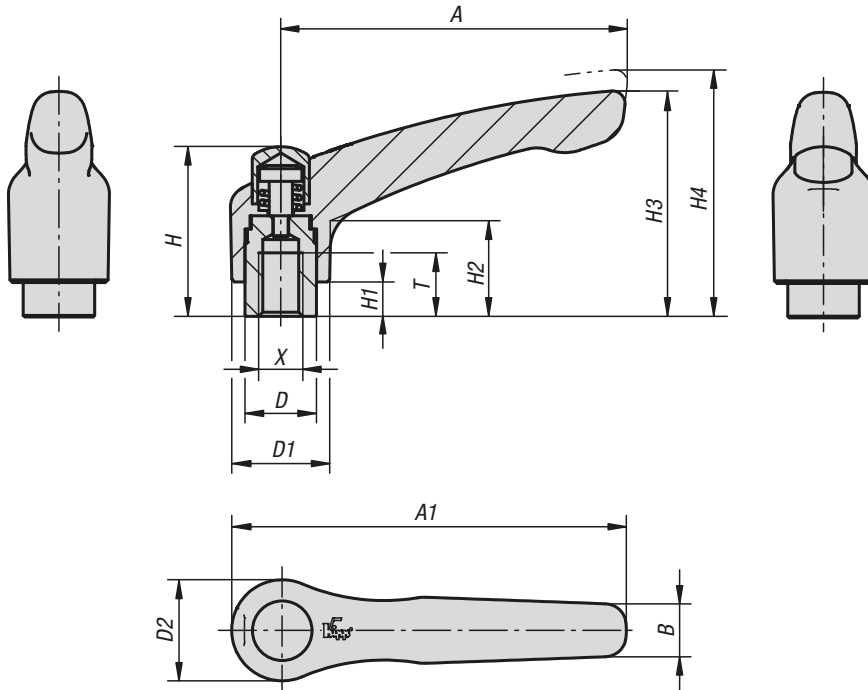


KIPP Clamping levers with external thread, stainless steel

Order No.	Main colour	X	A	A1	B	D	D1	D2	H	H1	H2	H3	H4	No. of teeth	L
K0124.105X	electropolished	M5	40	47	7	10	13	14	24,5	4	14,5	31	34	16	10/15/20/25
K0124.106X	electropolished	M6	40	47	7	10	13	14	24,5	4	14,5	31	34	16	10/15/20/25/30/40/50
K0124.206X	electropolished	M6	65	74,5	10	13,5	18,5	19	28,5	6,5	17,5	42,5	45,5	20	15/20/25/30/40/50/60
K0124.208X	electropolished	M8	65	74,5	10	13,5	18,5	19	28,5	6,5	17,5	42,5	45,5	20	15/20/25/30/40/50/60
K0124.210X	electropolished	M10	65	74,5	10	13,5	18,5	19	28,5	6,5	17,5	42,5	45,5	20	20/25/30/40/50/60
K0124.308X	electropolished	M8	80	91	11	16	21	22	37	10	24	54,5	58,5	22	20/25/30/40/50/60
K0124.310X	electropolished	M10	80	91	11	16	21	22	37	10	24	54,5	58,5	22	20/25/30/40/50/60
K0124.412X	electropolished	M12	95	109	13	19	27	27,5	43	10	27	63	67,5	24	25/30/40/50/60
K0124.516X	electropolished	M16	110	126	15	23	31	32	49	12	31,5	73	77,5	26	30/40/50/60
K0124.105153X	blasted	M5	40	47	7	10	13	14	24,5	4	14,5	31	34	16	10/15/20/25
K0124.106153X	blasted	M6	40	47	7	10	13	14	24,5	4	14,5	31	34	16	10/15/20/25/30/40/50
K0124.206153X	blasted	M6	65	74,5	10	13,5	18,5	19	28,5	6,5	17,5	42,5	45,5	20	15/20/25/30/40/50/60
K0124.208153X	blasted	M8	65	74,5	10	13,5	18,5	19	28,5	6,5	17,5	42,5	45,5	20	15/20/25/30/40/50/60
K0124.210153X	blasted	M10	65	74,5	10	13,5	18,5	19	28,5	6,5	17,5	42,5	45,5	20	20/25/30/40/50/60
K0124.308153X	blasted	M8	80	91	11	16	21	22	37	10	24	54,5	58,5	22	20/25/30/40/50/60
K0124.310153X	blasted	M10	80	91	11	16	21	22	37	10	24	54,5	58,5	22	20/25/30/40/50/60
K0124.412153X	blasted	M12	95	109	13	19	27	27,5	43	10	27	63	67,5	24	25/30/40/50/60
K0124.516153X	blasted	M16	110	126	15	23	31	32	49	12	31,5	73	77,5	26	30/40/50/60

Clamping levers with protective cap

internal thread, stainless steel



Material:

Handle investment cast 1.4308.
Other steel parts 1.4305.

Version:

Handle electropolished.
Steel parts bright.

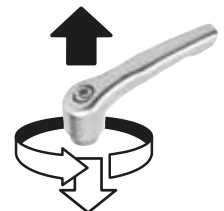
Sample order:

K0124.9208

On request:

Other threads and special versions.
Dimension "H1" available in other lengths at extra charge.

lift to disengage



KIPP Clamping levers with protective cap, internal thread, stainless steel

Order No.	X	A	A1	B	D	D1	D2	H	H1	H2	H3	H4	T	No. of teeth
K0124.9206	M6	65	74,5	10	13,5	18,5	19	32	6,5	17,5	42,5	45,5	12	20
K0124.9208	M8	65	74,5	10	13,5	18,5	19	32	6,5	17,5	42,5	45,5	12	20
K0124.9308	M8	80	91	11	16	21	22	41,5	10	24	54,5	58,5	14	22
K0124.9310	M10	80	91	11	16	21	22	41,5	10	24	54,5	58,5	14	22

Clamping levers with protective cap

external thread, stainless steel



Material:

Handle investment cast 1.4308.
Other steel parts 1.4305.

Version:

Handle electropolished.
Steel parts bright.

Sample order:

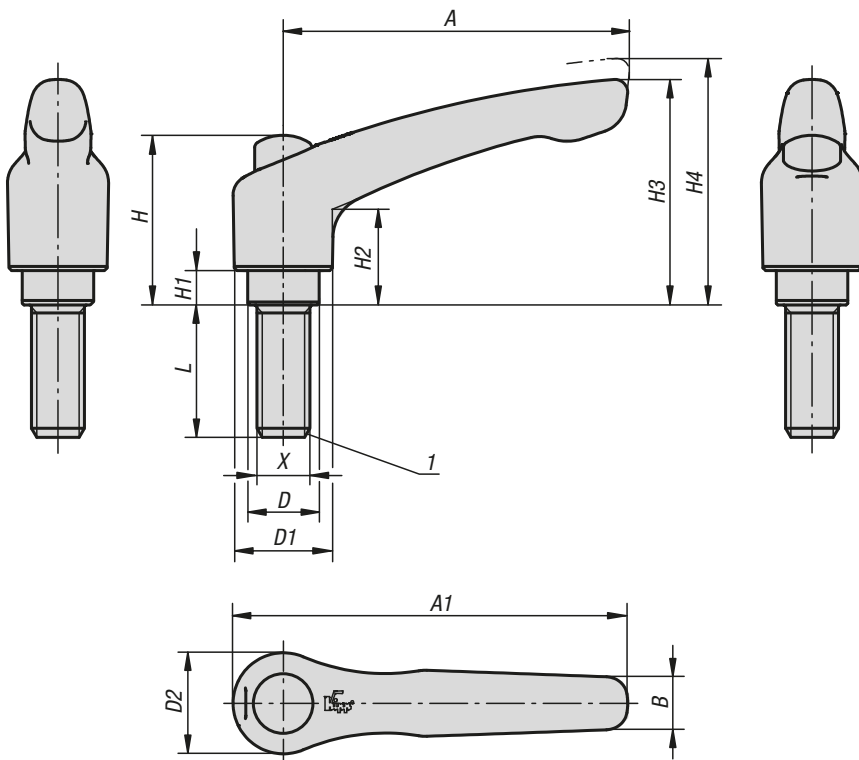
K0124.9208X30 (include length L)

On request:

Other threads, screw lengths and special versions.
Dimension "H1" available in other lengths at extra charge.

Drawing reference:

1) flat point DIN EN ISO 4753

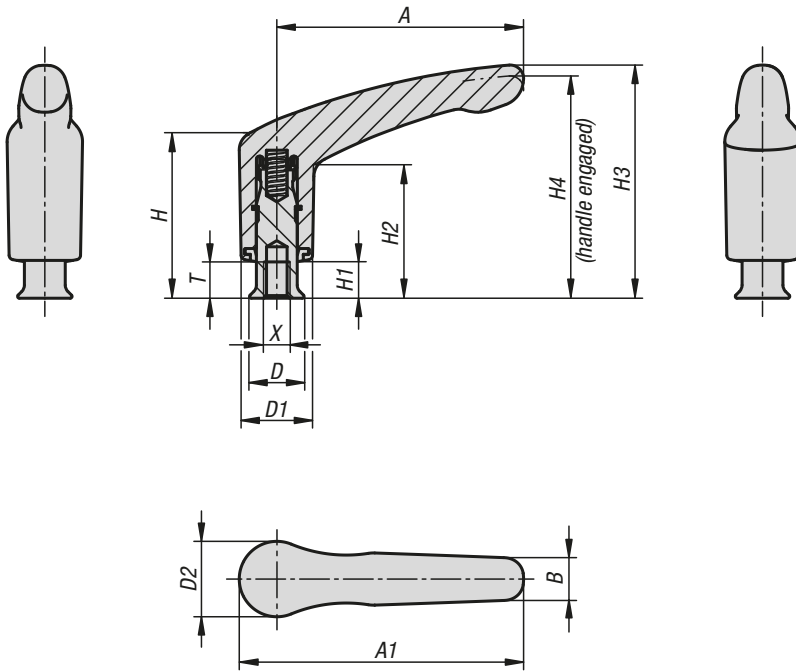


KIPP Clamping levers with protective cap, external thread, stainless steel

Order No.	X	A	A1	B	D	D1	D2	H	H1	H2	H3	H4	No. of teeth	L
K0124.9206X	M6	65	74,5	10	13,5	18,5	19	32	6,5	17,5	42,5	45,5	20	15/20/25/30/40/50/60
K0124.9208X	M8	65	74,5	10	13,5	18,5	19	32	6,5	17,5	42,5	45,5	20	15/20/25/30/40/50/60
K0124.9210X	M10	65	74,5	10	13,5	18,5	19	32	6,5	17,5	42,5	45,5	20	20/25/30/40/50/60
K0124.9308X	M8	80	91	11	16	21	22	41,5	10	24	54,5	58,5	22	20/25/30/40/50/60
K0124.9310X	M10	80	91	11	16	21	22	41,5	10	24	54,5	58,5	22	20/25/30/40/50/60

Clamping levers with internal thread and collar

for Hygienic USIT® Freudenberg Process Seals sealing and shim washer



Material:

Metal parts stainless steel 1.4404.
Shaft seal 70 EPDM 291.

Version:

High-gloss polished.

Sample order:

K1316.308

Note:

Clamping lever designed for the hygienic sector. The completely closed grip part and the shaft seal prevent contamination of the lever internal workings. Additionally, the screw insert has a conical collar so that the fastening point can be hygienically sealed with the Hygienic USIT® sealing and shim washer.

Due to the extremely high surface finish quality of much less than Ra 0.8 µm, hardly any dirt particles adhere to the surface. The highly polished surfaces enable easy cleaning.

At rest, the lever is freely rotatable. Unintended opening of the lever is excluded. The toothing is protected against high wear for mounting on vibrating elements.

On request:

Other thread depths and inch threads.

Accessories:

Hygienic USIT® sealing and shim washer K1491.

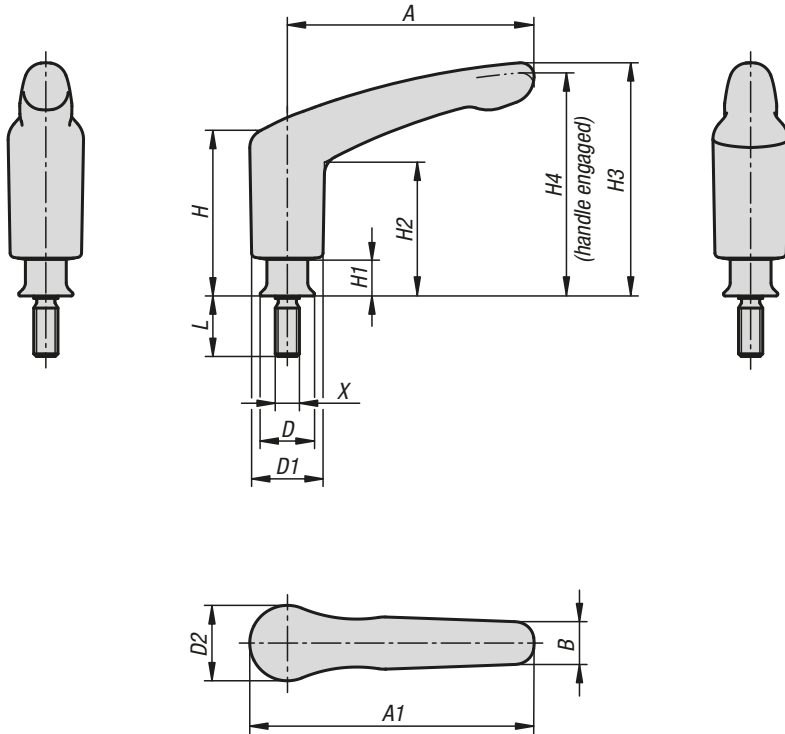


KIPP Clamping levers with internal thread and collar for Hygienic USIT® Freudenberg Process Seals sealing and shim washer

Order No.	X	T	D	D1	D2	H	H1	H2	H3	H4	A	A1	B	No. of teeth
K1316.106	M6	10	14,2	21	21,7	36,7	8,8	27	50,6	47,6	47,4	58,2	11,8	16
K1316.206	M6	10	14,2	21	22,1	45,7	10,7	36,8	64,1	61,1	66,5	77,5	13	16
K1316.208	M8	14	18	21	22,1	45,7	10,7	36,8	64,1	61,1	66,5	77,5	13	16
K1316.308	M8	12	18	23,6	24,9	54,7	12,1	44	77	73,5	81,5	94	14,2	20
K1316.310	M10	15	22,3	23,6	24,9	54,7	12,1	44	77	73,5	81,5	94	14,2	20
K1316.312	M12	19	26,6	23,6	24,9	54,7	12,1	44	77	73,5	81,5	94	14,2	20

Clamping levers with external thread and collar

for Hygienic USIT® Freudenberg Process Seals sealing and shim washer



Material:

Metal parts stainless steel 1.4404.
Shaft seal 70 EPDM 291.

Version:

High-gloss polished.

Sample order:

K1317.308X16

Note:

Clamping lever designed for the hygienic sector. The completely closed grip part and the shaft seal prevent contamination of the lever internal workings. Additionally, the screw insert has a conical collar so that the fastening point can be hygienically sealed with the Hygienic USIT® sealing and shim washer.

Due to the extremely high surface finish quality of much less than Ra 0.8 µm, hardly any dirt particles adhere to the surface. The highly polished surfaces enable easy cleaning.

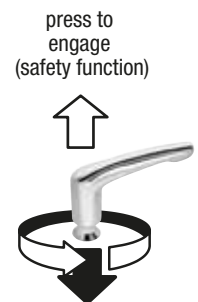
At rest, the lever is freely rotatable. Unintended opening of the lever is excluded. The toothing is protected against high wear for mounting on vibrating elements.

On request:

Other screw lengths and inch threads.

Accessories:

Hygienic USIT® sealing and shim washer K1491.



KIPP Clamping levers with external thread and collar for Hygienic USIT® Freudenberg Process Seals sealing and shim washer

Order No.	X	D	D1	D2	H	H1	H2	H3	H4	A	A1	B	No. of teeth	L
K1317.106X	M6	14,2	21	21,7	36,7	8,8	27	50,6	47,6	47,4	58,2	11,8	16	20/30/40/50
K1317.206X	M6	14,2	21	22,1	45,7	10,7	36,8	64,1	61,1	66,5	77,5	13	16	20/30/40/50
K1317.208X	M8	18	21	22,1	45,7	10,7	36,8	64,1	61,1	66,5	77,5	13	16	20/30/40/50/60
K1317.308X	M8	18	23,6	24,9	54,7	12,1	44	77	73,5	81,5	94	14,2	20	16/20/25/30/35/40/50/60
K1317.310X	M10	22,3	23,6	24,9	54,7	12,1	44	77	73,5	81,5	94	14,2	20	20/25/30/35/40/50/60
K1317.312X	M12	26,6	23,6	24,9	54,7	12,1	44	77	73,5	81,5	94	14,2	20	25/30/35/40/50/60

Clamping levers, flat

internal thread



Material:

Handle die-cast zinc DIN EN 12844.
Steel parts grade 5.8.

Version:

Handle powder-coated.
Steel parts black oxidised.

Sample order:

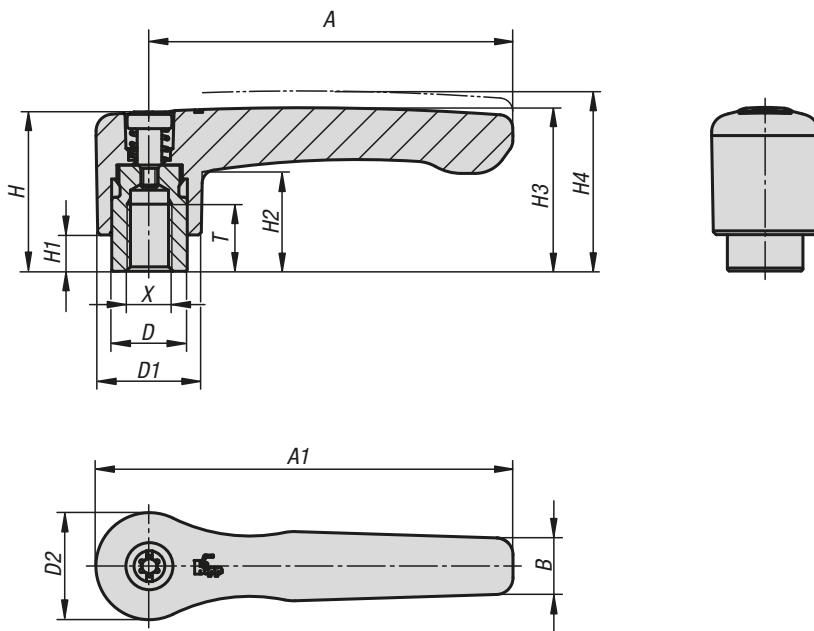
K0737.2061

Note:

Standard colours are:
black satin finish, orange RAL 2004.

On request:

Other threads, colours and special versions.
Dimension "H1" available in other lengths at extra charge.



lift to
disengage

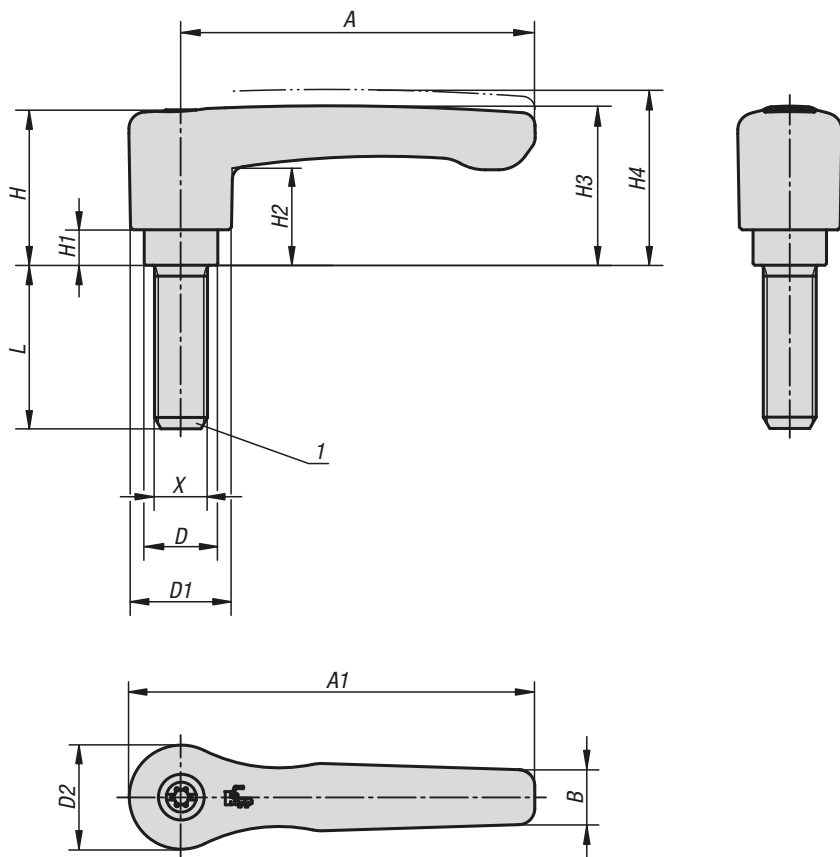


KIPP Clamping levers, flat with internal thread

Order No. black	Order No. orange RAL 2004	X	T	D	D1	D2	H	H1	H2	H3	H4	A	A1	B	No. of teeth
K0737.2061	K0737.2062	M6	12	13,5	18,5	19,1	28,5	6,5	17,8	29,2	32,2	65	74,5	10,1	20
K0737.2081	K0737.2082	M8	12	13,5	18,5	19,1	28,5	6,5	17,8	29,2	32,2	65	74,5	10,1	20
K0737.3081	K0737.3082	M8	14	16	21,2	22	37	10	23,8	38	42	80	91	11,7	22
K0737.3101	K0737.3102	M10	14	16	21,2	22	37	10	23,8	38	42	80	91	11,7	22

Clamping levers, flat

external thread



Material:

Handle die-cast zinc DIN EN 12844.
Steel parts grade 5.8.

Version:

Handle powder-coated.
Steel parts black oxidised.

Sample order:

K0737.2061X15 (include length L)

Note:

Standard colours are:
black satin finish, orange RAL 2004.

Where $L \geq 60$ mm the thread length is 60 mm.

On request:

Other threads, screw lengths, colours and special versions.

Dimension "H1" available in other lengths at extra charge.

Drawing reference:

1) flat point DIN EN ISO 4753



KIPP Specifications

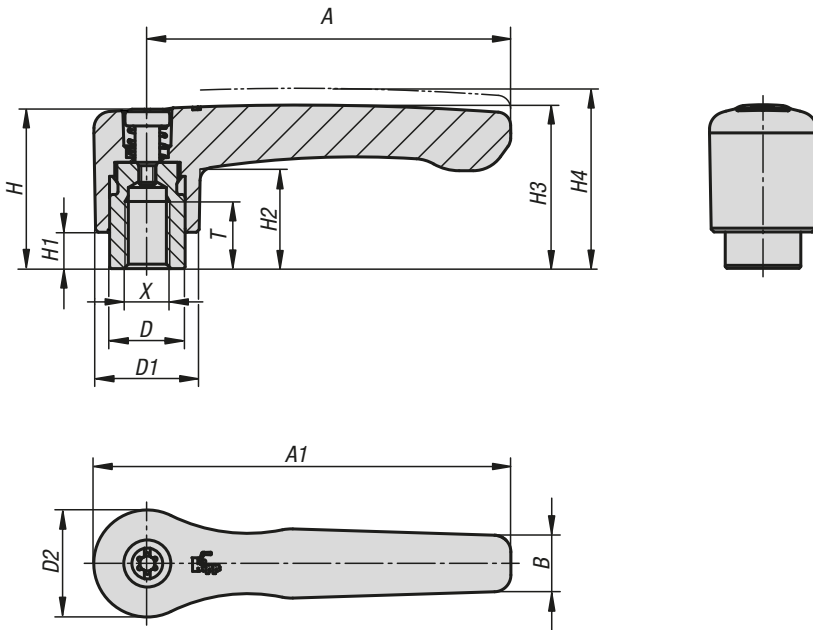
Size	X	A	A1	B	D	D1	D2	H	H1	H2	H3	H4	No. of teeth
2	M6/M8/M10	65	74,5	10,1	13,5	18,5	19,1	28,5	6,5	17,8	29,2	32,2	20
3	M8/M10	80	91	11,7	16	21,2	22	37	10	23,8	38	42	22

KIPP Clamping levers, flat with external thread

Order No. black	Order No. orange RAL 2004	Size	X	L
K0737.2061X	K0737.2062X	2	M6	15/20/25/30/35/40/45/50/55/60
K0737.2081X	K0737.2082X	2	M8	15/20/25/30/35/40/45/50/55/60
K0737.2101X	K0737.2102X	2	M10	15/20/25/30/35/40/45/50/55/60
K0737.3081X	K0737.3082X	3	M8	15/20/25/30/35/40/45/50/55/60
K0737.3101X	K0737.3102X	3	M10	15/20/25/30/35/40/45/50/55/60

Clamping levers, flat

internal thread, steel parts stainless steel



Material:

Handle die-cast zinc DIN EN 12844.
Steel parts stainless steel 1.4305.

Version:

Handle powder-coated.
Stainless steel parts bright.

Sample order:

K0738.2061

Note:

Standard colours are:
black satin finish, orange RAL 2004.

On request:

Other threads, colours and special versions.
Dimension "H1" available in other lengths at extra charge.

lift to
disengage

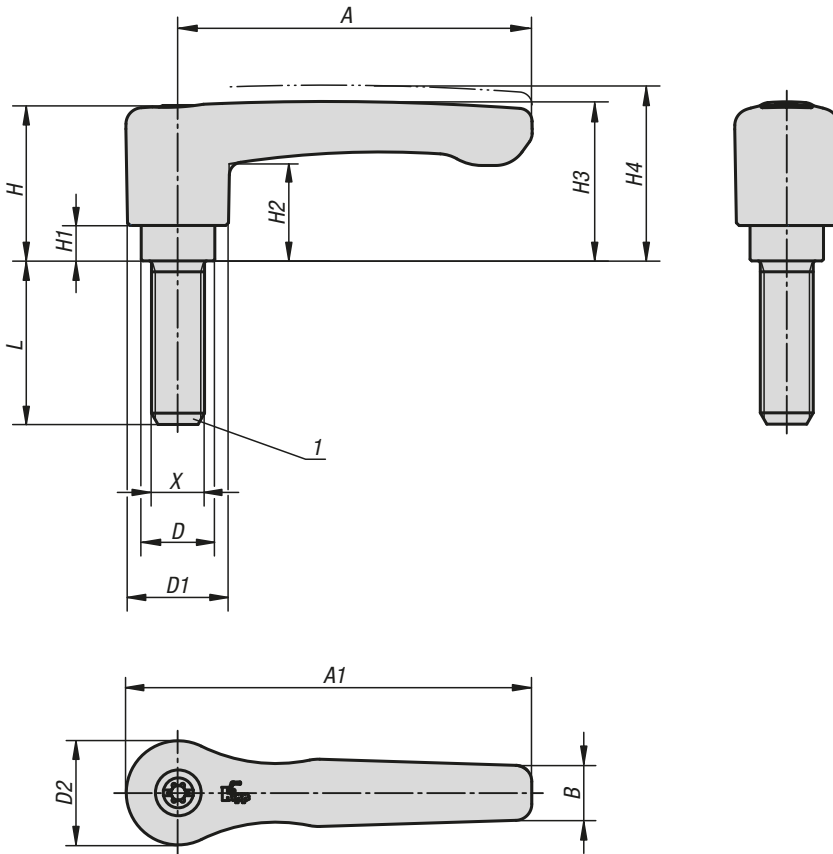


KIPP Clamping levers, flat with internal thread, stainless steel

Order No. black	Order No. orange RAL 2004	X	T	D	D1	D2	H	H1	H2	H3	H4	A	A1	B	No. of teeth
K0738.2061	K0738.2062	M6	12	13,5	18,5	19,1	28,5	6,5	17,8	29,2	32,2	65	74,5	10,1	20
K0738.2081	K0738.2082	M8	12	13,5	18,5	19,1	28,5	6,5	17,8	29,2	32,2	65	74,5	10,1	20
K0738.3081	K0738.3082	M8	14	16	21,2	22	37	10	23,8	38	42	80	91	11,7	22
K0738.3101	K0738.3102	M10	14	16	21,2	22	37	10	23,8	38	42	80	91	11,7	22

Clamping levers, flat

external thread, steel parts stainless steel



Material:

Handle die-cast zinc DIN EN 12844.
Steel parts stainless steel 1.4305.

Version:

Handle powder-coated.
Stainless steel parts bright.

Sample order:

K0738.2061X15 (include length L)

Note:

Standard colours are:
black satin finish, orange RAL 2004.

Where $L \geq 60$ mm the thread length is 60 mm.

On request:

Other threads, screw lengths, colours and special versions.
Dimension "H1" available in other lengths at extra charge.

Drawing reference:

1) flat point DIN EN ISO 4753



KIPP Specifications

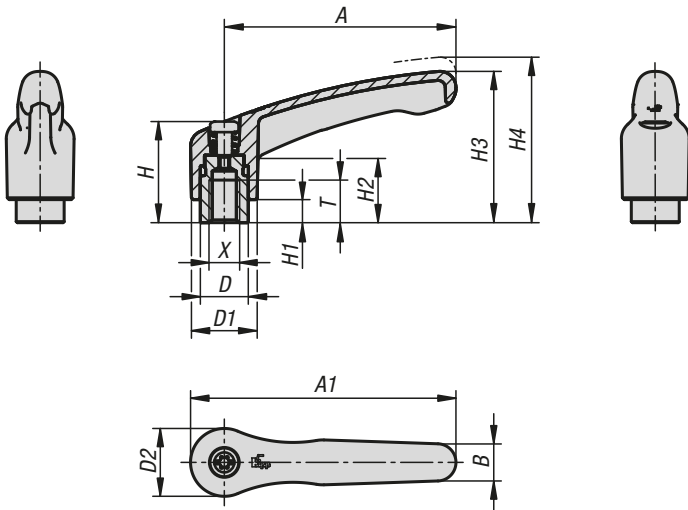
Size	X	A	A1	B	D	D1	D2	H	H1	H2	H3	H4	No. of teeth
2	M6/M8/M10	65	74,5	10,1	13,5	18,5	19,1	28,5	6,5	17,8	29,2	32,2	20
3	M8/M10	80	91	11,7	16	21,2	22	37	10	23,8	38	42	22

KIPP Clamping levers, flat with external thread, stainless steel

Order No. black	Order No. orange RAL 2004	Size	X	L
K0738.2061X	K0738.2062X	2	M6	15/20/25/30/40/50/60
K0738.2081X	K0738.2082X	2	M8	15/20/25/30/40/50/60
K0738.2101X	K0738.2102X	2	M10	20/25/30/40/50/60
K0738.3081X	K0738.3082X	3	M8	20/25/30/40/50/60
K0738.3101X	K0738.3102X	3	M10	20/25/30/40/50/60

Clamping levers plastic

with internal thread, steel parts black oxidised



The plastic clamping lever with ergonomic grip design offers a high-quality, modern appearance in combination with very pleasant haptics.

The clamping lever is made of a special high-performance plastic and is available in many standard colours.

The advantages of the clamping lever are high rigidity and strength. The light weight make it ideal for mobile applications.

Material:

High performance fibreglass reinforced thermoplastic.
Steel parts grade 5.8.

Version:

Steel parts black oxidised.

Sample order:

K1700.10486 (lever colour signal green)

Note:

△ Add the desired grip colour here.

Method of operation:

When not actuated, the handle is engaged in the tooth insert by a gear ring, thus allowing the thread to be fastened or released. When raised, the handle can be re-positioned and then re-engaged in the gear ring by spring force.

Application:

Machine, equipment and plant construction, rehabilitation sector.

Temperature range:

Permanent temperature max. 100 °C.
Brief use with temperatures up to 130 °C.

Advantages:

Seven colour variants.

On request:

Other female threads and special versions.

Length "H1" optionally available in other lengths for an additional charge.

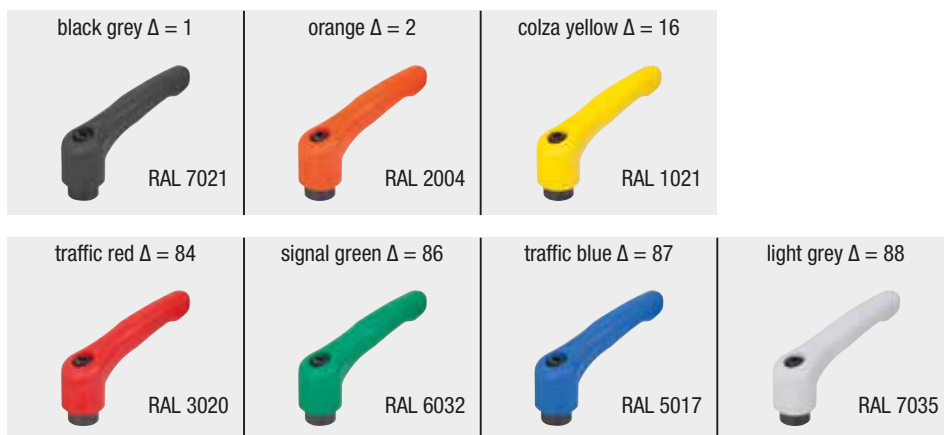
High temperature black-grey plastic.

Permanent operating temperature
acc. to IEC 216 150 °C - 160 °C max.

Brief use with temperatures up to 250 °C.

Clamping levers plastic

with internal thread, steel parts black oxidised

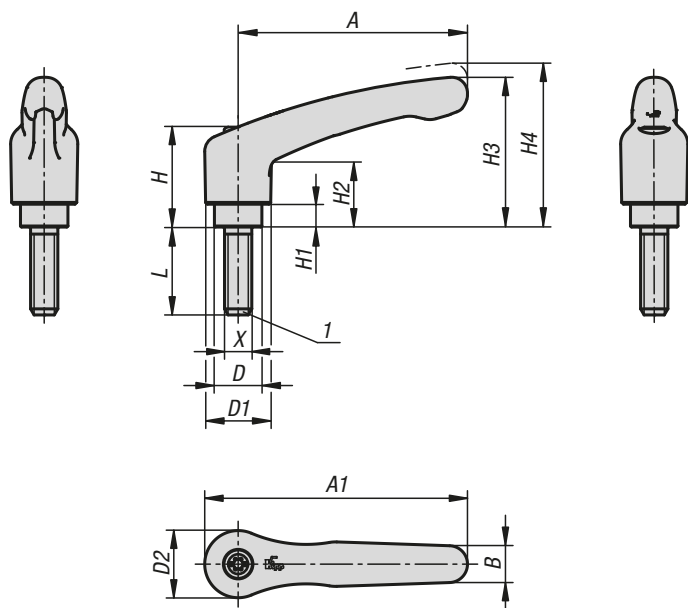


KIPP Clamping levers plastic with internal thread, steel parts black oxidised

Order No.	X	A	A1	B	D	D1	D2	H	H1	H2	H3	H4	T	No. of teeth
K1700.104Δ	M4	39,9	46,8	7,9	10	13,2	13,8	24,5	4	14,2	30,8	35	9	16
K1700.105Δ	M5	39,9	46,8	7,9	10	13,2	13,8	24,5	4	14,2	30,8	35	9	16
K1700.106Δ	M6	39,9	46,8	7,9	10	13,2	13,8	24,5	4	14,2	30,8	35	9	16
K1700.206Δ	M6	65,2	74,8	10,5	13,5	18,5	19,1	28,5	6,5	18,6	42,6	47,1	12	20
K1700.208Δ	M8	65,2	74,8	10,5	13,5	18,5	19,1	28,5	6,5	18,6	42,6	47,1	12	20
K1700.308Δ	M8	80,2	91,1	11,5	16	21,2	21,9	37	10	24	54	59,2	14	22
K1700.310Δ	M10	80,2	91,1	11,5	16	21,2	21,9	37	10	24	54	59,2	14	22
K1700.410Δ	M10	96,8	110,3	14,1	19	26,2	27,1	43,1	10	27,8	62,4	68,1	17	24
K1700.412Δ	M12	96,8	110,3	14,1	19	26,2	27,1	43,1	10	27,8	62,4	68,1	17	24
K1700.512Δ	M12	110,9	126,6	15,1	23	30,5	31,5	49,1	12	30,8	72,9	79,2	23	26
K1700.516Δ	M16	110,9	126,6	15,1	23	30,5	31,5	49,1	12	30,8	72,9	79,2	23	26

Clamping levers plastic

with external thread, steel parts black oxidised



The plastic clamping lever with ergonomic grip design offers a high-quality, modern appearance in combination with very pleasant haptics. The clamping lever is made of a special high-performance plastic and is available in many standard colours. The advantages of the clamping lever are high rigidity and strength. The light weight make it ideal for mobile applications.

Material:

High performance fibreglass reinforced thermoplastic. Steel parts grade 5.8.

Version:

Steel parts black oxidised.

Sample order:

K1700.1051X20 (lever black grey; include length L)

Note:

Δ Add the desired grip colour here. Where $L \geq 60$ mm the thread length is always 60 mm.

Method of operation:

When not actuated, the handle is engaged in the tooth insert by a gear ring, thus allowing the thread to be fastened or released. When raised, the handle can be re-positioned and then re-engaged in the gear ring by spring force.

Application:

Machine, equipment and plant construction, rehabilitation sector.

Temperature range:

Permanent temperature max. 100 °C. Brief use with temperatures up to 130 °C.

Advantages:

Seven colour variants.

On request:

Other screw sizes, screw lengths and special versions. Length "H1" optionally available in other lengths for an additional charge.

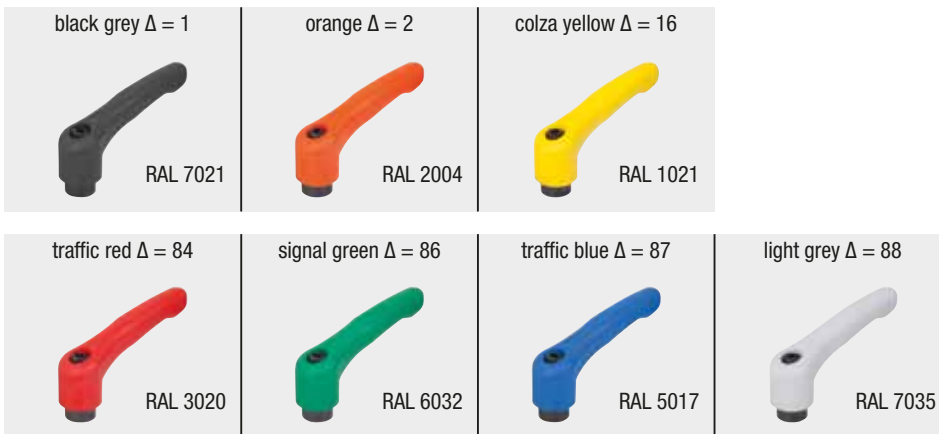
High temperature black-grey plastic. Permanent operating temperature acc. to IEC 216 150 °C - 160 °C max. Brief use with temperatures up to 250 °C.

Drawing reference:

1) flat point DIN EN ISO 4753

Clamping levers plastic

with external thread, steel parts black oxidised

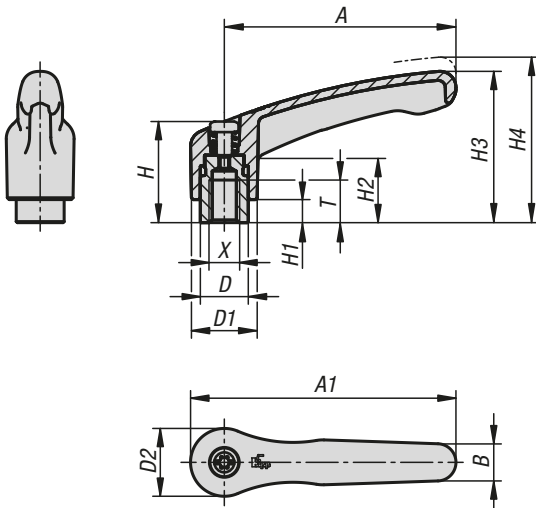


KIPP Clamping levers plastic with external thread, steel parts black oxidised

Order No.	X	A	A1	B	D	D1	D2	H	H1	H2	H3	H4	No. of teeth	L
K1700.105ΔX	M5	39,9	46,8	7,9	10	13,2	13,8	24,5	4	14,2	30,8	35	16	10/15/20/25/30/35/40/45/50
K1700.106ΔX	M6	39,9	46,8	7,9	10	13,2	13,8	24,5	4	14,2	30,8	35	16	10/15/20/25/30/35/40/45/50
K1700.206ΔX	M6	65,2	74,8	10,5	13,5	18,5	19,1	28,5	6,5	18,6	42,6	47,1	20	15/20/25/30/35/40/45/50/55/60
K1700.208ΔX	M8	65,2	74,8	10,5	13,5	18,5	19,1	28,5	6,5	18,6	42,6	47,1	20	15/20/25/30/35/40/45/50/55/60
K1700.210ΔX	M10	65,2	74,8	10,5	13,5	18,5	19,1	28,5	6,5	18,6	42,6	47,1	20	15/20/25/30/35/40/45/50/55/60
K1700.308ΔX	M8	80,2	91,1	11,5	16	21,2	21,9	37	10	24	54	59,2	22	15/20/25/30/35/40/45/50/55/60
K1700.310ΔX	M10	80,2	91,1	11,5	16	21,2	21,9	37	10	24	54	59,2	22	15/20/25/30/35/40/45/50/55/60
K1700.410ΔX	M10	96,8	110,3	14,1	19	26,2	27,1	43,1	10	27,8	62,4	68,1	24	20/25/30/35/40/45/50/55/60/70/80/90
K1700.412ΔX	M12	96,8	110,3	14,1	19	26,2	27,1	43,1	10	27,8	62,4	68,1	24	20/25/30/35/40/45/50/55/60/70/80/90
K1700.512ΔX	M12	110,9	126,6	15,1	23	30,5	31,5	49,1	12	30,8	72,9	79,2	26	25/30/35/40/45/50/55/60/70/80/90
K1700.516ΔX	M16	110,9	126,6	15,1	23	30,5	31,5	49,1	12	30,8	72,9	79,2	26	25/30/35/40/45/50/55/60/70/80/90

Clamping levers plastic

with internal thread, steel parts blue passivated



The plastic clamping lever with ergonomic grip design offers a high-quality, modern appearance in combination with very pleasant haptics. The clamping lever is made of a special high-performance plastic and is available in many standard colours. The advantages of the clamping lever are high rigidity and strength. The light weight make it ideal for mobile applications.

Material:

High performance fibreglass reinforced thermoplastic.
Steel parts grade 5.8.

Version:

Steel parts blue-passivated.

Sample order:

K1702.10486 (lever colour signal green)

Note:

Δ Add the desired grip colour here.

Method of operation:

When not actuated, the handle is engaged in the tooth insert by a gear ring, thus allowing the thread to be fastened or released. When raised, the handle can be re-positioned and then re-engaged in the gear ring by spring force.

Application:

Machine, equipment and plant construction, rehabilitation sector.

Temperature range:

Permanent temperature max. 100 °C.
Brief use with temperatures up to 130 °C.

Advantages:

Seven colour variants.

On request:

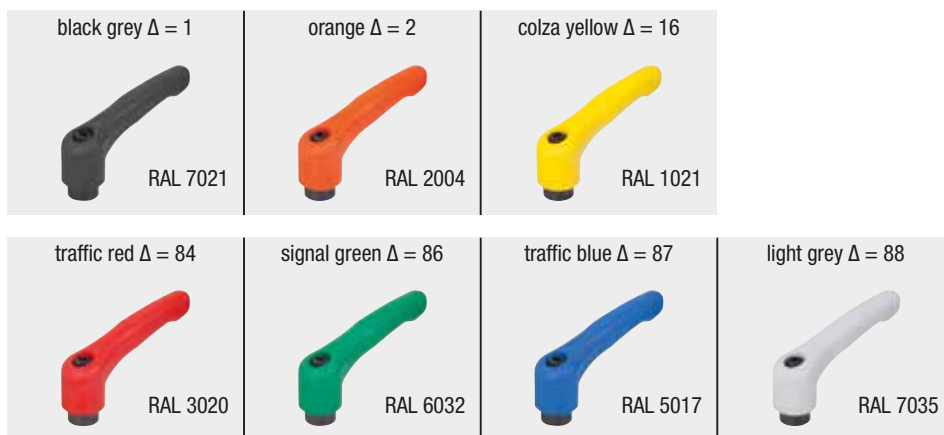
Other female threads and special versions.
Length "H1" optionally available in other lengths for an additional charge.

High temperature black-grey plastic.

Permanent operating temperature
acc. to IEC 216 150 °C - 160 °C max.
Brief use with temperatures up to 250 °C.

Clamping levers plastic

with internal thread, steel parts blue passivated

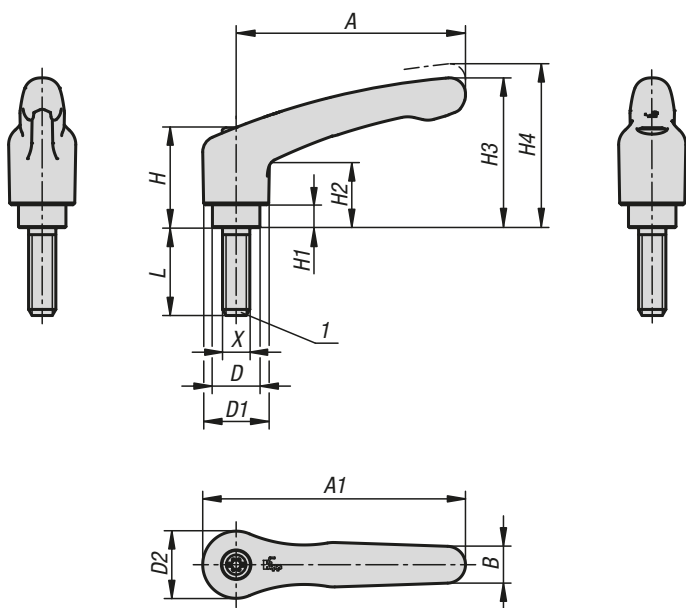


KIPP Clamping levers plastic with internal thread, steel parts blue passivated

Order No.	X	A	A1	B	D	D1	D2	H	H1	H2	H3	H4	T	No. of teeth
K1702.104Δ	M4	39,9	46,8	7,9	10	13,2	13,8	24,5	4	14,2	30,8	35	9	16
K1702.105Δ	M5	39,9	46,8	7,9	10	13,2	13,8	24,5	4	14,2	30,8	35	9	16
K1702.106Δ	M6	39,9	46,8	7,9	10	13,2	13,8	24,5	4	14,2	30,8	35	9	16
K1702.206Δ	M6	65,2	74,8	10,5	13,5	18,5	19,1	28,5	6,5	18,6	42,6	47,1	12	20
K1702.208Δ	M8	65,2	74,8	10,5	13,5	18,5	19,1	28,5	6,5	18,6	42,6	47,1	12	20
K1702.308Δ	M8	80,2	91,1	11,5	16	21,2	21,9	37	10	24	54	59,2	14	22
K1702.310Δ	M10	80,2	91,1	11,5	16	21,2	21,9	37	10	24	54	59,2	14	22
K1702.410Δ	M10	96,8	110,3	14,1	19	26,2	27,1	43,1	10	27,8	62,4	68,1	17	24
K1702.412Δ	M12	96,8	110,3	14,1	19	26,2	27,1	43,1	10	27,8	62,4	68,1	17	24
K1702.512Δ	M12	110,9	126,6	15,1	23	30,5	31,5	49,1	12	30,8	72,9	79,2	23	26
K1702.516Δ	M16	110,9	126,6	15,1	23	30,5	31,5	49,1	12	30,8	72,9	79,2	23	26

Clamping levers plastic

with external thread, steel parts blue passivated



The plastic clamping lever with ergonomic grip design offers a high-quality, modern appearance in combination with very pleasant haptics.

The clamping lever is made of a special high-performance plastic and is available in many standard colours.

The advantages of the clamping lever are high rigidity and strength. The light weight make it ideal for mobile applications.

Material:

High performance fibreglass reinforced thermoplastic.
Steel parts grade 5.8.

Version:

Steel parts blue-passivated.

Sample order:

K1702.1051X20 (lever black grey; include length L)

Note:

Δ Add the desired grip colour here.
Where $L \geq 60$ mm the thread length is always 60 mm.

Method of operation:

When not actuated, the handle is engaged in the tooth insert by a gear ring, thus allowing the thread to be fastened or released. When raised, the handle can be re-positioned and then re-engaged in the gear ring by spring force.

Application:

Machine, equipment and plant construction, rehabilitation sector.

Temperature range:

Permanent temperature max. 100 °C.
Brief use with temperatures up to 130 °C.

Advantages:

Seven colour variants.

On request:

Other screw sizes, screw lengths and special versions.
Length "H1" optionally available in other lengths for an additional charge.

High temperature black-grey plastic.

Permanent operating temperature acc. to IEC 216 150 °C - 160 °C max.

Brief use with temperatures up to 250 °C.

Drawing reference:

1) flat point DIN EN ISO 4753

Clamping levers plastic

with external thread, steel parts blue passivated

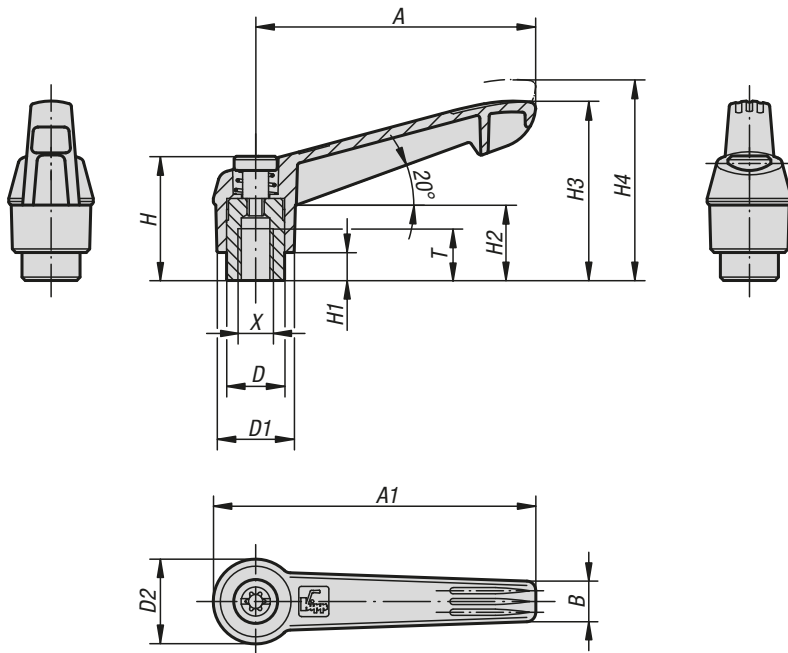


KIPP Clamping levers plastic with external thread, steel parts blue passivated

Order No.	X	A	A1	B	D	D1	D2	H	H1	H2	H3	H4	No. of teeth	L
K1702.105ΔX	M5	39,9	46,8	7,9	10	13,2	13,8	24,5	4	14,2	30,8	35	16	10/15/20/25/30/35/40/45/50
K1702.106ΔX	M6	39,9	46,8	7,9	10	13,2	13,8	24,5	4	14,2	30,8	35	16	10/15/20/25/30/35/40/45/50
K1702.206ΔX	M6	65,2	74,8	10,5	13,5	18,5	19,1	28,5	6,5	18,6	42,6	47,1	20	15/20/25/30/35/40/45/50/55/60
K1702.208ΔX	M8	65,2	74,8	10,5	13,5	18,5	19,1	28,5	6,5	18,6	42,6	47,1	20	15/20/25/30/35/40/45/50/55/60
K1702.210ΔX	M10	65,2	74,8	10,5	13,5	18,5	19,1	28,5	6,5	18,6	42,6	47,1	20	15/20/25/30/35/40/45/50/55/60
K1702.308ΔX	M8	80,2	91,1	11,5	16	21,2	21,9	37	10	24	54	59,2	22	15/20/25/30/35/40/45/50/55/60
K1702.310ΔX	M10	80,2	91,1	11,5	16	21,2	21,9	37	10	24	54	59,2	22	15/20/25/30/35/40/45/50/55/60
K1702.410ΔX	M10	96,8	110,3	14,1	19	26,2	27,1	43,1	10	27,8	62,4	68,1	24	20/25/30/35/40/45/50/55/60/70/80/90
K1702.412ΔX	M12	96,8	110,3	14,1	19	26,2	27,1	43,1	10	27,8	62,4	68,1	24	20/25/30/35/40/45/50/55/60/70/80/90
K1702.512ΔX	M12	110,9	126,6	15,1	23	30,5	31,5	49,1	12	30,8	72,9	79,2	26	25/30/35/40/45/50/55/60/70/80/90
K1702.516ΔX	M16	110,9	126,6	15,1	23	30,5	31,5	49,1	12	30,8	72,9	79,2	26	25/30/35/40/45/50/55/60/70/80/90

Clamping levers with plastic handle

internal thread



Material:

Handle fibreglass reinforced plastic with die-cast zinc toothed ring.
Steel parts grade 5.8.

Version:

Steel parts black oxidised.

Sample order:

K0269.10486 (lever colour signal green)

Note:

Δ Add the desired grip colour here.

On request:

Other threads and special versions.
Dimension "H1" available in other lengths at extra charge.

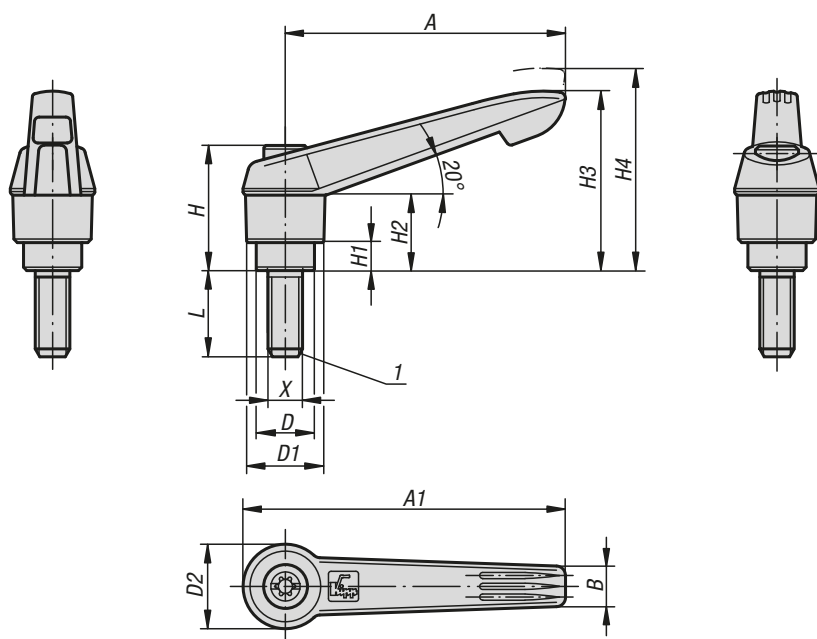


KIPP Clamping levers with plastic handle, internal thread

Order No.	X	A	A1	B	D	D1	D2	H	H1	H2	H3	H4	T	No. of teeth
K0269.104Δ	M4	40	47	7,5	10	13	14,5	24,5	4	15	30	33,5	9	16
K0269.105Δ	M5	40	47	7,5	10	13	14,5	24,5	4	15	30	33,5	9	16
K0269.106Δ	M6	40	47	7,5	10	13	14,5	24,5	4	15	30	33,5	9	16
K0269.206Δ	M6	65	75	9,5	13,5	18	19,5	28,5	6,5	17,5	41,5	45,5	12	20
K0269.208Δ	M8	65	75	9,5	13,5	18	19,5	28,5	6,5	17,5	41,5	45,5	12	20
K0269.308Δ	M8	80	91,5	11	16	21,5	23	37	10	24	53,5	58	14	22
K0269.310Δ	M10	80	91,5	11	16	21,5	23	37	10	24	53,5	58	14	22
K0269.410Δ	M10	95	109	13	19	25,5	27,5	43	10	26	61	66	17	24
K0269.412Δ	M12	95	109	13	19	25,5	27,5	43	10	26	61	66	17	24
K0269.512Δ	M12	110	126	15,5	23	30	32,5	49	12	33	72	77	23	26
K0269.516Δ	M16	110	126	15,5	23	30	32,5	49	12	33	72	77	23	26

Clamping levers with plastic handle

external thread



Material:
Handle fibreglass reinforced plastic with die-cast zinc toothed ring.
Steel parts grade 5.8.

Version:
Steel parts black oxidised.

Sample order:
K0269.1051X40 (lever black grey; include length L)

Note:
Δ Add the desired grip colour here.
Where L ≥ 60 mm the thread length is always 60 mm.

On request:
Other threads, screw lengths and special versions.
Dimension "H1" available in other lengths at extra charge.

Drawing reference:
1) flat point DIN EN ISO 4753

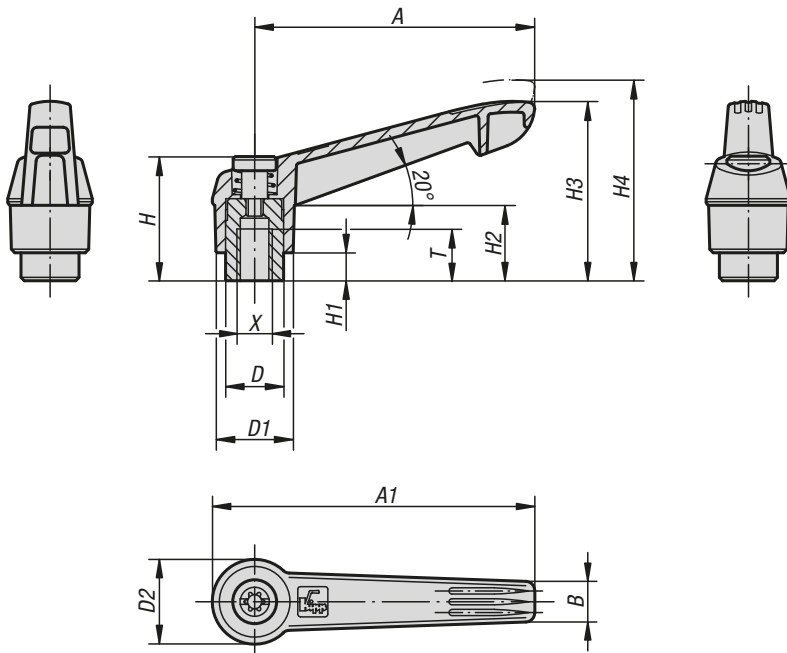


KIPP Clamping levers with plastic handle, external thread

Order No.	X	A	A1	B	D	D1	D2	H	H1	H2	H3	H4	No. of teeth	L
K0269.105ΔX	M5	40	47	7,5	10	13	14,5	24,5	4	15	30	33,5	16	10/15/20/25/30/35/40/45/50
K0269.106ΔX	M6	40	47	7,5	10	13	14,5	24,5	4	15	30	33,5	16	10/15/20/25/30/35/40/45/50
K0269.206ΔX	M6	65	75	9,5	13,5	18	19,5	28,5	6,5	17,5	41,5	45,5	20	15/20/25/30/35/40/45/50/55/60
K0269.208ΔX	M8	65	75	9,5	13,5	18	19,5	28,5	6,5	17,5	41,5	45,5	20	15/20/25/30/35/40/45/50/55/60
K0269.210ΔX	M10	65	75	9,5	13,5	18	19,5	28,5	6,5	17,5	41,5	45,5	20	15/20/25/30/35/40/45/50/55/60
K0269.308ΔX	M8	80	91,5	11	16	21,5	23	37	10	24	53,5	58	22	15/20/25/30/35/40/45/50/55/60
K0269.310ΔX	M10	80	91,5	11	16	21,5	23	37	10	24	53,5	58	22	15/20/25/30/35/40/45/50/55/60
K0269.410ΔX	M10	95	109	13	19	25,5	27,5	43	10	26	61	66	24	20/25/30/35/40/45/50/55/60/70/80/90
K0269.412ΔX	M12	95	109	13	19	25,5	27,5	43	10	26	61	66	24	20/25/30/35/40/45/50/55/60/70/80/90
K0269.512ΔX	M12	110	126	15,5	23	30	32,5	49	12	33	72	77	26	25/30/35/40/45/50/55/60/70/80/90
K0269.516ΔX	M16	110	126	15,5	23	30	32,5	49	12	33	72	77	26	25/30/35/40/45/50/55/60/70/80/90

Clamping levers plastic

with internal thread, steel parts trivalent blue passivated



Material:

Handle fibreglass reinforced plastic with die-cast zinc toothed ring.
Steel parts grade 5.8.

Version:

Steel parts blue-passivated.

Sample order:

K1660.10486 (lever colour signal green)

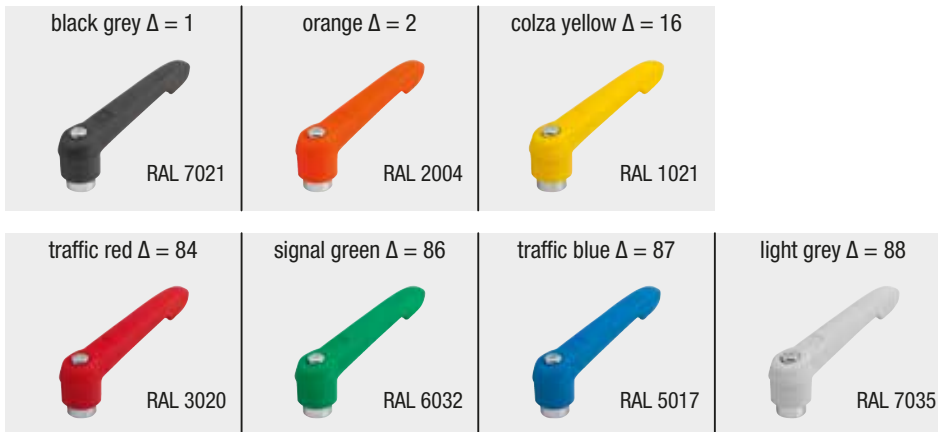
Note:

Δ Add the desired grip colour here.

On request:

Other threads and special versions.

Dimension "H1" available in other lengths at extra charge.

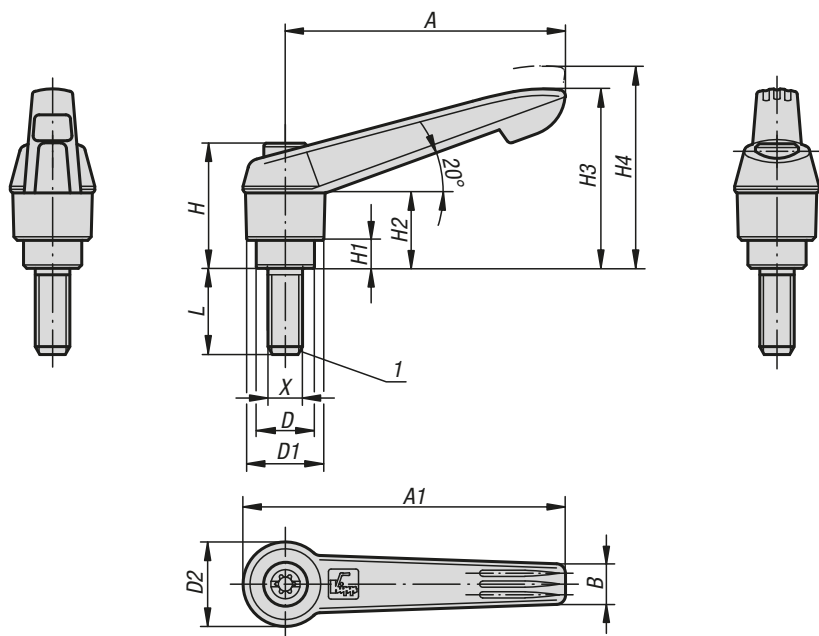


KIPP Clamping levers with plastic handle, internal thread

Order No.	X	A	A1	B	D	D1	D2	H	H1	H2	H3	H4	T	No. of teeth
K1660.104Δ	M4	40	47	7,5	10	13	14,5	24,5	4	15	30	33,5	9	16
K1660.105Δ	M5	40	47	7,5	10	13	14,5	24,5	4	15	30	33,5	9	16
K1660.106Δ	M6	40	47	7,5	10	13	14,5	24,5	4	15	30	33,5	9	16
K1660.206Δ	M6	65	75	9,5	13,5	18	19,5	28,5	6,5	17,5	41,5	45,5	12	20
K1660.208Δ	M8	65	75	9,5	13,5	18	19,5	28,5	6,5	17,5	41,5	45,5	12	20
K1660.308Δ	M8	80	91,5	11	16	21,5	23	37	10	24	53,5	58	14	22
K1660.310Δ	M10	80	91,5	11	16	21,5	23	37	10	24	53,5	58	14	22
K1660.410Δ	M10	95	109	13	19	25,5	27,5	43	10	26	61	66	17	24
K1660.412Δ	M12	95	109	13	19	25,5	27,5	43	10	26	61	66	17	24
K1660.512Δ	M12	110	126	15,5	23	30	32,5	49	12	33	72	77	23	26
K1660.516Δ	M16	110	126	15,5	23	30	32,5	49	12	33	72	77	23	26

Clamping levers plastic

with external thread, steel parts trivalent blue passivated



Material:
Handle fibreglass reinforced plastic with die-cast zinc toothed ring.
Steel parts grade 5.8.

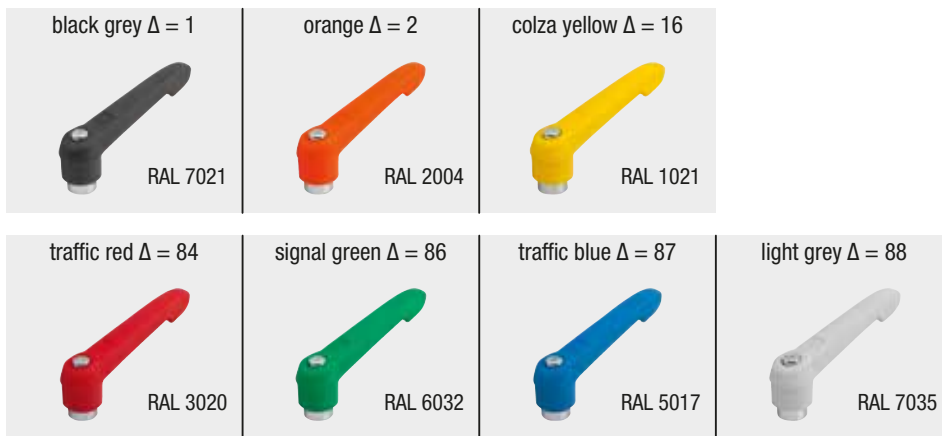
Version:
Steel parts blue-passivated.

Sample order:
K1660.1051X40 (lever black grey; include length L)

Note:
Δ Add the desired grip colour here.
Where L ≥ 60 mm the thread length is always 60 mm.

On request:
Other threads, screw lengths and special versions.
Dimension "H1" available in other lengths at extra charge.

Drawing reference:
1) flat point DIN EN ISO 4753

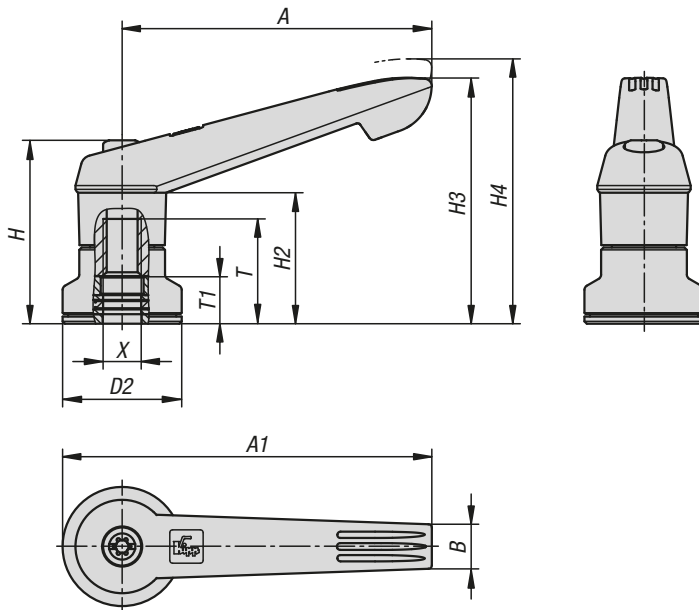


KIPP Clamping levers with plastic handle, external thread

Order No.	X	A	A1	B	D	D1	D2	H	H1	H2	H3	H4	No. of teeth	L
K1660.105ΔX	M5	40	47	7,5	10	13	14,5	24,5	4	15	30	33,5	16	10/15/20/25/30/35/40/45/50
K1660.106ΔX	M6	40	47	7,5	10	13	14,5	24,5	4	15	30	33,5	16	10/15/20/25/30/35/40/45/50
K1660.206ΔX	M6	65	75	9,5	13,5	18	19,5	28,5	6,5	17,5	41,5	45,5	20	15/20/25/30/35/40/45/50/55/60
K1660.208ΔX	M8	65	75	9,5	13,5	18	19,5	28,5	6,5	17,5	41,5	45,5	20	15/20/25/30/35/40/45/50/55/60
K1660.210ΔX	M10	65	75	9,5	13,5	18	19,5	28,5	6,5	17,5	41,5	45,5	20	15/20/25/30/35/40/45/50/55/60
K1660.308ΔX	M8	80	91,5	11	16	21,5	23	37	10	24	53,5	58	22	15/20/25/30/35/40/45/50/55/60
K1660.310ΔX	M10	80	91,5	11	16	21,5	23	37	10	24	53,5	58	22	15/20/25/30/35/40/45/50/55/60
K1660.410ΔX	M10	95	109	13	19	25,5	27,5	43	10	26	61	66	24	20/25/30/35/40/45/50/55/60/70/80/90
K1660.412ΔX	M12	95	109	13	19	25,5	27,5	43	10	26	61	66	24	20/25/30/35/40/45/50/55/60/70/80/90
K1660.512ΔX	M12	110	126	15,5	23	30	32,5	49	12	33	72	77	26	25/30/35/40/45/50/55/60/70/80/90
K1660.516ΔX	M16	110	126	15,5	23	30	32,5	49	12	33	72	77	26	25/30/35/40/45/50/55/60/70/80/90

Clamping levers plastic

with female thread and clamping force intensifier



By using clamping levers with integrated clamping force intensifier, the clamping force can be increased by up to 75% compared to standard clamping levers.

Furthermore, this product can also be used by persons with limited hand strength (e.g. in rehabilitation) to achieve comparable clamping forces with less effort. Less effort is also needed to loosen the clamping lever.

The increase in clamping force is achieved by the integral needle roller thrust bearing, which generates very low surface friction on a rigid contact surface during clamping. The hardened thrust washers are designed for high clamping forces and the bearing with its high load rating guarantees a long service life.

The clamped component is permanently protected by the large, stationary contact surface. A washer is no longer required.

Material:

Handle fibreglass reinforced plastic with die-cast zinc toothed ring.
Steel parts grade 5.8.

Version:

Steel parts black oxidised.
Axial needle bearing with hardened and ground thrust washer.

Sample order:

K1597.20886 (lever colour signal green)

Note:

Δ Add the desired grip colour here.

Method of operation:

The handle lever is engaged in the toothed insert by means of a toothed ring when not actuated, enabling the thread to be tightened or loosened. By lifting the handle, it can be repositioned and re-engaged in the toothed ring by spring force.

Application:

Machine, equipment and plant construction, rehabilitation sector.

Advantages:

Significant increase of the clamping force with the same tightening torque.
High quality axial needle bearing with high load rating and long service life.
The component surface is protected by the stationary lower ring.

On request:

Other colours.

Clamping levers plastic

with female thread and clamping force intensifier

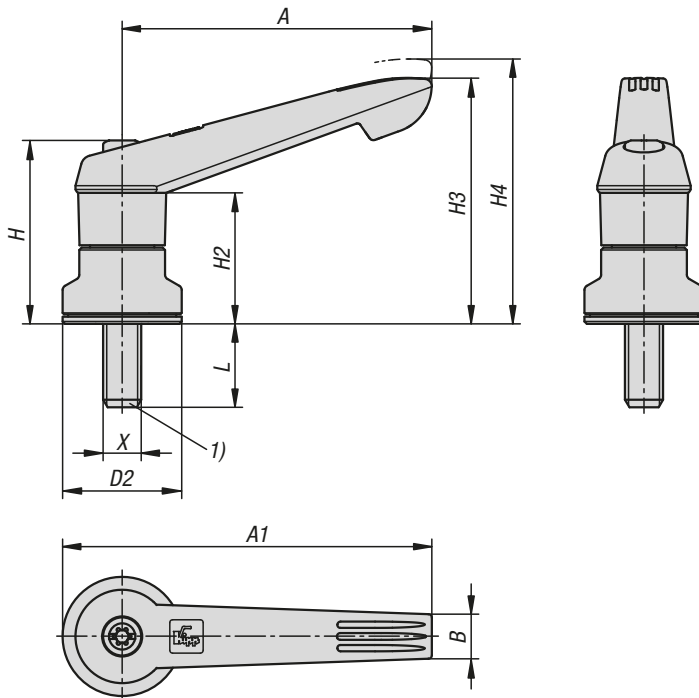


KIPP Clamping levers, plastic with female thread and clamping force intensifier

Order No.	X	D2	H	H2	H3	H4	A	A1	B	T	T1
K1597.208 Δ	M8	25	38,5	27,5	51,6	55,6	65	77,5	9,4	22	10
K1597.310 Δ	M10	30	47	34	63,4	67,9	80	95	11,1	24	10
K1597.410 Δ	M10	30	53,1	36	71,1	76,1	95,4	110,4	13,2	27	10
K1597.512 Δ	M12	35	59,1	43	82,8	87,8	109,9	127,4	15,6	33	10

Clamping levers plastic

with male thread and clamping force intensifier



By using clamping levers with integrated clamping force intensifier, the clamping force can be increased by up to 75% compared to standard clamping levers.

Furthermore, this product can also be used by persons with limited hand strength (e.g. in rehabilitation) to achieve comparable clamping forces with less effort. Less effort is also needed to loosen the clamping lever.

The increase in clamping force is achieved by the integral needle roller thrust bearing, which generates very low surface friction on a rigid contact surface during clamping. The hardened thrust washers are designed for high clamping forces and the bearing with its high load rating guarantees a long service life.

The clamped component is permanently protected by the large, stationary contact surface. A washer is no longer required.

Due to the modular construction many special designs are available.

Material:

Handle fibreglass reinforced plastic with die-cast zinc toothed ring.
Steel parts grade 5.8.

Version:

Steel parts black oxidised.
Axial needle bearing with hardened and ground thrust washer.

Sample order:

K1597.2081X40 (lever black grey; include length L)

Note:

Δ Add the desired grip colour here.

Method of operation:

The handle lever is engaged in the toothed insert by means of a toothed ring when not actuated, enabling the thread to be tightened or loosened. By lifting the handle, it can be repositioned and re-engaged in the toothed ring by spring force.

Application:

Machine, equipment and plant construction, rehabilitation sector.

Clamping levers plastic

with male thread and clamping force intensifier



Advantages:

Significant increase of the clamping force with the same tightening torque.
High quality axial needle bearing with high load rating and long service life.
The component surface is protected by the stationary lower ring.

On request:

Special versions.
Other colours and thread lengths.

Drawing reference:

1) flat point DIN EN ISO 4753

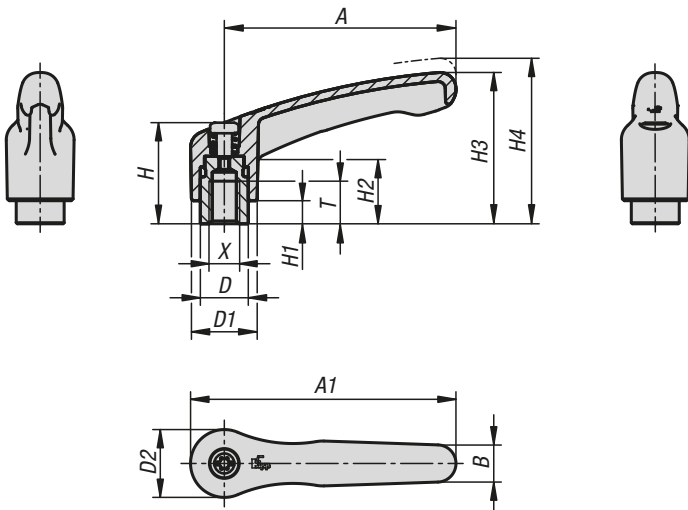


KIPP Clamping levers plastic with male thread and clamping force intensifier

Order No.	X	D2	H	H2	H3	H4	A	A1	B	L
K1597.208ΔX	M8	25	38,5	27,5	51,6	55,6	65	77,5	9,4	10/20/30/40
K1597.310ΔX	M10	30	47	34	63,4	67,9	80	95	11,1	15/30/40/50
K1597.410ΔX	M10	30	53,1	36	71,1	76,1	95,4	110,4	13,2	20/30/40/50
K1597.512ΔX	M12	35	59,1	43	82,8	87,8	109,9	127,4	15,6	20/30/40/50

Clamping levers plastic

with internal thread, steel parts stainless steel



The plastic clamping lever with ergonomic grip design offers a high-quality, modern appearance in combination with very pleasant haptics.

The clamping lever is made of a special high-performance plastic and is available in many standard colours.

The advantages of the clamping lever are high rigidity and strength. The light weight make it ideal for mobile applications.

It offers good chemical and corrosion resistance.

Material:

High performance fibreglass reinforced thermoplastic.
Steel parts stainless steel 1.4305.

Version:

Steel parts bright.

Sample order:

K1701.10486 (lever colour signal green)

Note:

Δ Add the desired grip colour here.

Method of operation:

When not actuated, the handle is engaged in the tooth insert by a gear ring, thus allowing the thread to be fastened or released. When raised, the handle can be re-positioned and then re-engaged in the gear ring by spring force.

Application:

Machine, equipment and systems engineering, rehab applications, medical technology, food processing industry.

Temperature range:

Permanent temperature max. 100 °C.
Brief use with temperatures up to 130 °C.

Advantages:

Good chemical and corrosion resistance.
Seven colour variants.

On request:

Other female threads and special versions.
Length "H1" optionally available in other lengths for an additional charge.

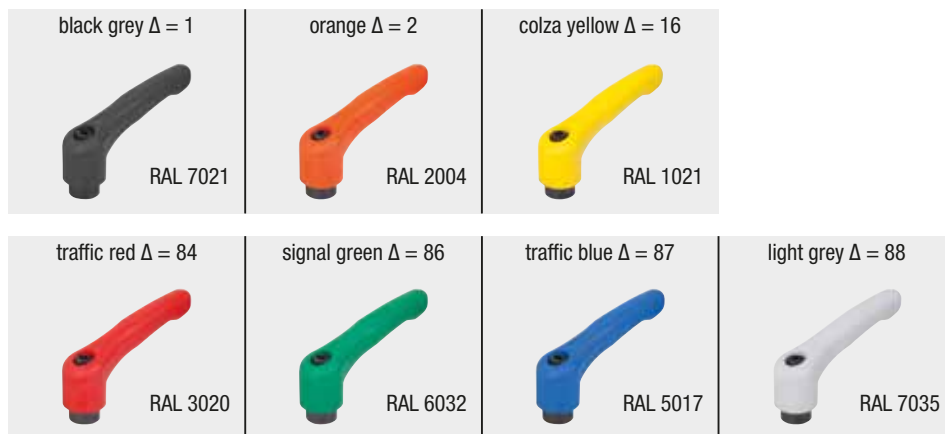
High temperature black-grey plastic.

Permanent operating temperature acc. to IEC 216 150 °C - 160 °C max.

Brief use with temperatures up to 250 °C.

Clamping levers plastic

with internal thread, steel parts stainless steel

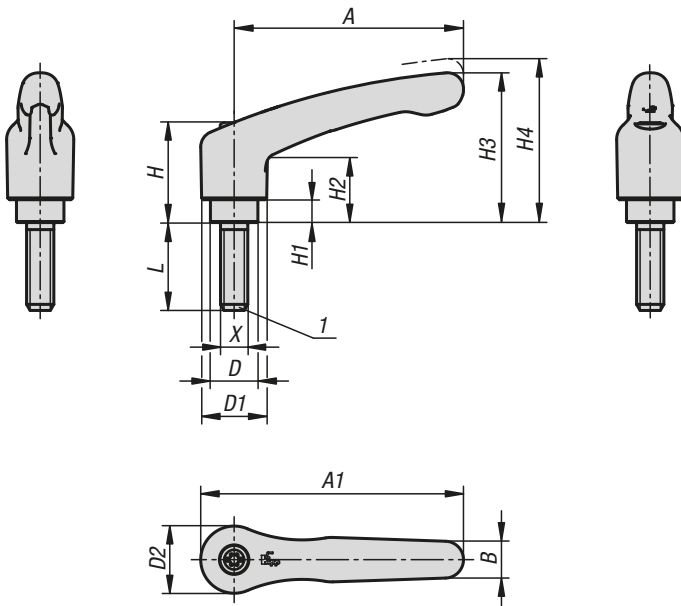


KIPP Clamping levers plastic with internal thread, steel parts stainless steel

Order No.	X	A	A1	B	D	D1	D2	H	H1	H2	H3	H4	T	No. of teeth
K1701.104Δ	M4	39,9	46,8	7,9	10	13,2	13,8	24,5	4	14,2	30,8	35	9	16
K1701.105Δ	M5	39,9	46,8	7,9	10	13,2	13,8	24,5	4	14,2	30,8	35	9	16
K1701.106Δ	M6	39,9	46,8	7,9	10	13,2	13,8	24,5	4	14,2	30,8	35	9	16
K1701.206Δ	M6	65,2	74,8	10,5	13,5	18,5	19,1	28,5	6,5	18,6	42,6	47,1	12	20
K1701.208Δ	M8	65,2	74,8	10,5	13,5	18,5	19,1	28,5	6,5	18,6	42,6	47,1	12	20
K1701.308Δ	M8	80,2	91,1	11,5	16	21,2	21,9	37	10	24	54	59,2	14	22
K1701.310Δ	M10	80,2	91,1	11,5	16	21,2	21,9	37	10	24	54	59,2	14	22
K1701.410Δ	M10	96,8	110,3	14,1	19	26,2	27,1	43,1	10	27,8	62,4	68,1	17	24
K1701.412Δ	M12	96,8	110,3	14,1	19	26,2	27,1	43,1	10	27,8	62,4	68,1	17	24
K1701.512Δ	M12	110,9	126,6	15,1	23	30,5	31,5	49,1	12	30,8	72,9	79,2	23	26
K1701.516Δ	M16	110,9	126,6	15,1	23	30,5	31,5	49,1	12	30,8	72,9	79,2	23	26

Clamping levers plastic

with external thread, steel parts stainless steel



The plastic clamping lever with ergonomic grip design offers a high-quality, modern appearance in combination with very pleasant haptics.

The clamping lever is made of a special high-performance plastic and is available in many standard colours. The advantages of the clamping lever are high rigidity and strength. The light weight make it ideal for mobile applications. It offers good chemical and corrosion resistance.

Material:

High performance fibreglass reinforced thermoplastic.
Steel parts stainless steel 1.4305.

Version:

Steel parts bright.

Sample order:

K1701.1051X20 (lever black grey; include length L)

Note:

Δ Add the desired grip colour here.
Where $L \geq 60$ mm the thread length is always 60 mm.

Method of operation:

When not actuated, the handle is engaged in the tooth insert by a gear ring, thus allowing the thread to be fastened or released. When raised, the handle can be re-positioned and then re-engaged in the gear ring by spring force.

Application:

Machine, equipment and systems engineering, rehab applications, medical technology, food processing industry.

Temperature range:

Permanent temperature max. 100 °C.
Brief use with temperatures up to 130 °C.

Advantages:

Good chemical and corrosion resistance.
Seven colour variants.

On request:

Other screw sizes, screw lengths and special versions.
Length "H1" optionally available in other lengths for an additional charge.

High temperature black-grey plastic.

Permanent operating temperature acc. to IEC 216 150 °C - 160 °C max.

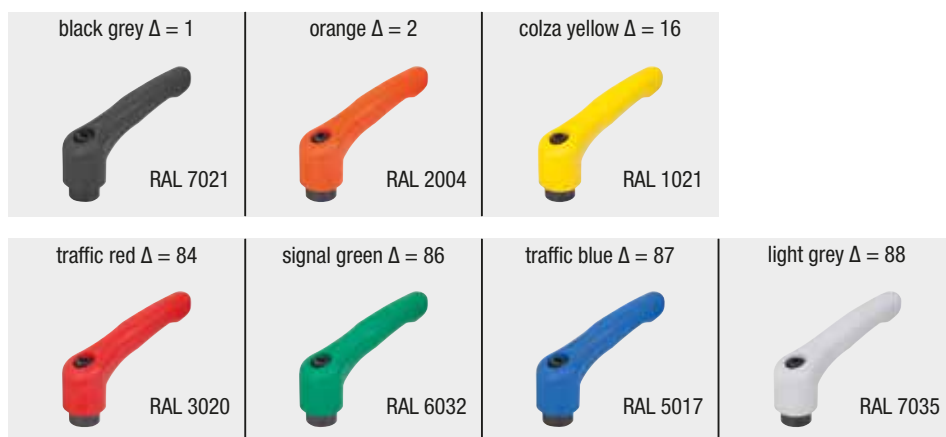
Brief use with temperatures up to 250 °C.

Drawing reference:

1) flat point DIN EN ISO 4753

Clamping levers plastic

with external thread, steel parts stainless steel

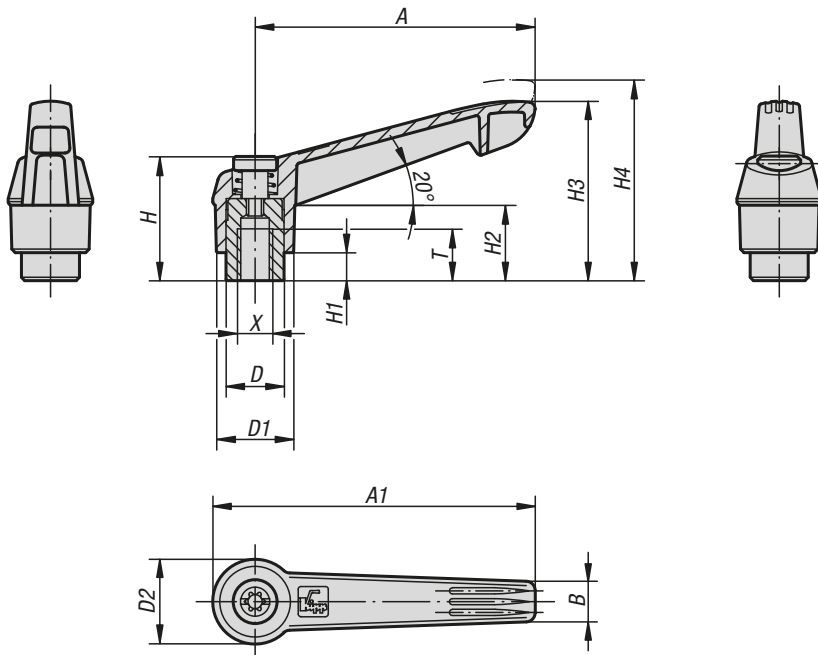


KIPP Clamping levers plastic with external thread, steel parts stainless steel

Order No.	X	A	A1	B	D	D1	D2	H	H1	H2	H3	H4	No. of teeth	L
K1701.105 Δ X	M5	39,9	46,8	7,9	10	13,2	13,8	24,5	4	14,2	30,8	35	16	10/15/20/25
K1701.106 Δ X	M6	39,9	46,8	7,9	10	13,2	13,8	24,5	4	14,2	30,8	35	16	10/15/20/25/30/40/50
K1701.206 Δ X	M6	65,2	74,8	10,5	13,5	18,5	19,1	28,5	6,5	18,6	42,6	47,1	20	15/20/25/30/40/50/60
K1701.208 Δ X	M8	65,2	74,8	10,5	13,5	18,5	19,1	28,5	6,5	18,6	42,6	47,1	20	15/20/25/30/40/50/60
K1701.210 Δ X	M10	65,2	74,8	10,5	13,5	18,5	19,1	28,5	6,5	18,6	42,6	47,1	20	20/25/30/40/50/60
K1701.308 Δ X	M8	80,2	91,1	11,5	16	21,2	21,9	37	10	24	54	59,2	22	20/25/30/40/50/60
K1701.310 Δ X	M10	80,2	91,1	11,5	16	21,2	21,9	37	10	24	54	59,2	22	20/25/30/40/50/60
K1701.412 Δ X	M12	96,8	110,3	14,1	19	26,2	27,1	43,1	10	27,8	62,4	68,1	24	25/30/40/50/60
K1701.516 Δ X	M16	110,9	126,6	15,1	23	30,5	31,5	49,1	12	30,8	72,9	79,2	26	30/40/50/60

Clamping levers with plastic handle

internal thread, steel parts stainless steel



Material:
Handle fibreglass reinforced plastic with die-cast zinc toothed ring.
Steel parts stainless steel 1.4305.

Version:
Steel parts bright.

Sample order:
K0270.10486 (lever colour signal green)

Note:
Δ Add the desired grip colour here.

On request:
Other threads and special versions.
Dimension "H1" available in other lengths at extra charge.

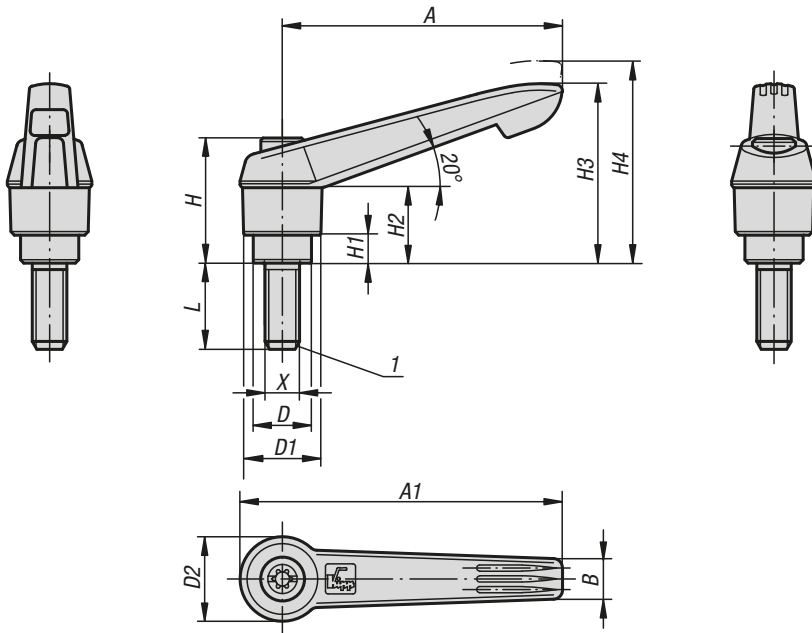


KIPP Clamping levers with plastic handle, internal thread, metal parts stainless steel

Order No.	X	A	A1	B	D	D1	D2	H	H1	H2	H3	H4	T	No. of teeth
K0270.104Δ	M4	40	47	7,5	10	13	14,5	24,5	4	15	30	33,5	9	16
K0270.105Δ	M5	40	47	7,5	10	13	14,5	24,5	4	15	30	33,5	9	16
K0270.106Δ	M6	40	47	7,5	10	13	14,5	24,5	4	15	30	33,5	9	16
K0270.206Δ	M6	65	75	9,5	13,5	18	19,5	28,5	6,5	17,5	41,5	45,5	12	20
K0270.208Δ	M8	65	75	9,5	13,5	18	19,5	28,5	6,5	17,5	41,5	45,5	12	20
K0270.308Δ	M8	80	91,5	11	16	21,5	23	37	10	24	53,5	58	14	22
K0270.310Δ	M10	80	91,5	11	16	21,5	23	37	10	24	53,5	58	14	22
K0270.410Δ	M10	95	109	13	19	25,5	27,5	43	10	26	61	66	17	24
K0270.412Δ	M12	95	109	13	19	25,5	27,5	43	10	26	61	66	17	24
K0270.512Δ	M12	110	126	15,5	23	30	32,5	49	12	33	72	77	23	26
K0270.516Δ	M16	110	126	15,5	23	30	32,5	49	12	33	72	77	23	26

Clamping levers with plastic handle

external thread, steel parts stainless steel



Material:

Handle fibreglass reinforced plastic with die-cast zinc toothed ring.
Steel parts stainless steel 1.4305.

Version:

Steel parts bright.

Sample order:

K0270.1051X20 (lever black grey; include length L)

Note:

Δ Add the desired grip colour here.
Where L ≥ 60 mm the thread length is always 60 mm.

On request:

Other threads, screw lengths and special versions.
Dimension "H1" available in other lengths at extra charge.

Drawing reference:

1) flat point DIN EN ISO 4753



KIPP Clamping levers with plastic handle, external thread, metal parts stainless steel

Order No.	X	A	A1	B	D	D1	D2	H	H1	H2	H3	H4	No. of teeth	L
K0270.105ΔX	M5	40	47	7,5	10	13	14,5	24,5	4	15	30	33,5	16	10/15/20/25
K0270.106ΔX	M6	40	47	7,5	10	13	14,5	24,5	4	15	30	33,5	16	10/15/20/25/30/40/50
K0270.206ΔX	M6	65	75	9,5	13,5	18	19,5	28,5	6,5	17,5	41,5	45,5	20	15/20/25/30/40/50/60
K0270.208ΔX	M8	65	75	9,5	13,5	18	19,5	28,5	6,5	17,5	41,5	45,5	20	15/20/25/30/40/50/60
K0270.210ΔX	M10	65	75	9,5	13,5	18	19,5	28,5	6,5	17,5	41,5	45,5	20	20/25/30/40/50/60
K0270.308ΔX	M8	80	91,5	11	16	21,5	23	37	10	24	53,5	58	22	20/25/30/40/50/60
K0270.310ΔX	M10	80	91,5	11	16	21,5	23	37	10	24	53,5	58	22	20/25/30/40/50/60
K0270.412ΔX	M12	95	109	13	19	25,5	27,5	43	10	26	61	66	24	25/30/40/50/60
K0270.516ΔX	M16	110	126	15,5	23	30	32,5	49	12	33	72	77	26	30/40/50/60

Clamping levers plastic

with female thread and clamping force intensifier



By using clamping levers with integrated clamping force intensifier, the clamping force can be increased by up to 75% compared to standard clamping levers.

Furthermore, this product can also be used by persons with limited hand strength (e.g. in rehabilitation) to achieve comparable clamping forces with less effort. Less effort is also needed to loosen the clamping lever.

The increase in clamping force is achieved by the integral needle roller thrust bearing, which generates very low surface friction on a rigid contact surface during clamping. The hardened thrust washers are designed for high clamping forces and the bearing with its high load rating guarantees a long service life.

The clamped component is permanently protected by the large, stationary contact surface. A washer is no longer required.

Material:

Handle fibreglass reinforced plastic with die-cast zinc toothed ring.
Steel parts stainless steel 1.4305.

Version:

Steel parts bright.
Axial needle bearing with hardened and ground thrust washer.

Sample order:

K1598.20886 (lever colour signal green)

Note:

Δ Add the desired grip colour here.

Method of operation:

The handle lever is engaged in the toothed insert by means of a toothed ring when not actuated, enabling the thread to be tightened or loosened. By lifting the handle, it can be repositioned and re-engaged in the toothed ring by spring force.

Application:

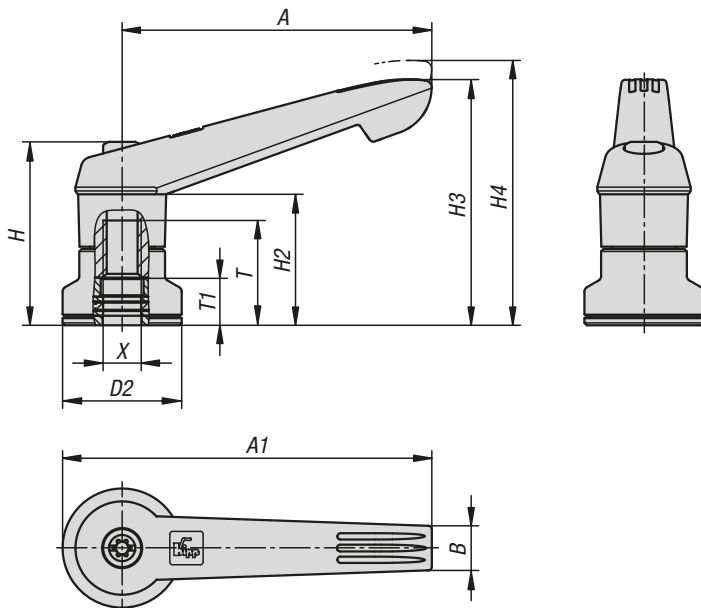
Machine, equipment and plant construction, rehabilitation sector.

Advantages:

Significant increase of the clamping force with the same tightening torque.
High quality axial needle bearing with high load rating and long service life.
The component surface is protected by the stationary lower ring.

On request:

Other colours.



Clamping levers plastic

with female thread and clamping force intensifier

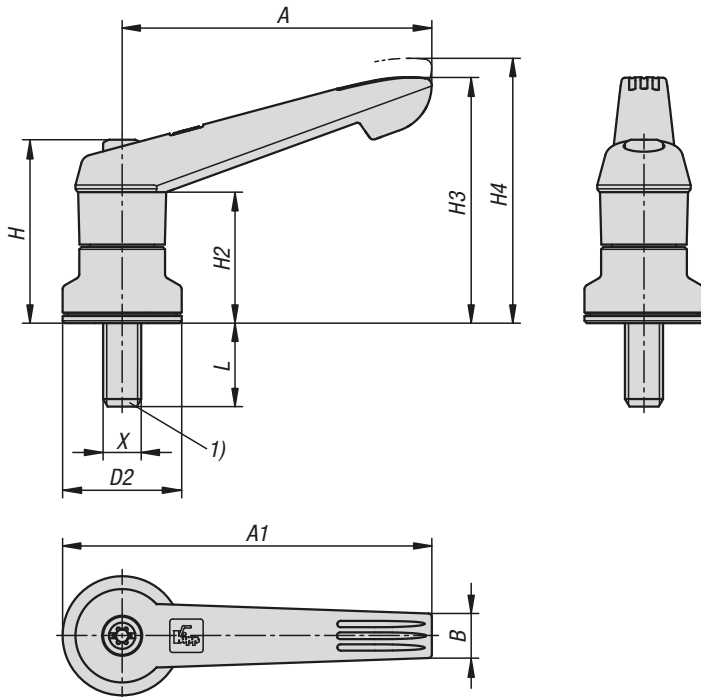


KIPP Clamping levers, plastic with female thread and clamping force intensifier

Order No.	X	D2	H	H2	H3	H4	A	A1	B	T	T1
K1598.208Δ	M8	25	38,5	27,5	51,6	55,6	65	77,5	9,4	22	10
K1598.310Δ	M10	30	47	34	63,4	67,9	80	95	11,1	24	10
K1598.410Δ	M10	30	53,1	36	71,1	76,1	95,4	110,4	13,2	27	10
K1598.512Δ	M12	35	59,1	43	82,8	87,8	109,9	127,4	15,6	33	10

Clamping levers plastic

with male thread and clamping force intensifier



By using clamping levers with integrated clamping force intensifier, the clamping force can be increased by up to 75% compared to standard clamping levers.

Furthermore, this product can also be used by persons with limited hand strength (e.g. in rehabilitation) to achieve comparable clamping forces with less effort. Less effort is also needed to loosen the clamping lever.

The increase in clamping force is achieved by the integral needle roller thrust bearing, which generates very low surface friction on a rigid contact surface during clamping. The hardened thrust washers are designed for high clamping forces and the bearing with its high load rating guarantees a long service life.

The clamped component is permanently protected by the large, stationary contact surface. A washer is no longer required.

Due to the modular construction many special designs are available.

Material:

Handle fibreglass reinforced plastic with die-cast zinc toothed ring.
Steel parts stainless steel 1.4305.

Version:

Steel parts bright.
Axial needle bearing with hardened and ground thrust washer.

Sample order:

K1598.2081X40 (lever black grey; include length L)

Note:

Δ Add the desired grip colour here.

Method of operation:

The handle lever is engaged in the toothed insert by means of a toothed ring when not actuated, enabling the thread to be tightened or loosened. By lifting the handle, it can be repositioned and re-engaged in the toothed ring by spring force.

Application:

Machine, equipment and plant construction, rehabilitation sector.

Clamping levers plastic

with male thread and clamping force intensifier



Advantages:

Significant increase of the clamping force with the same tightening torque.
 High quality axial needle bearing with high load rating and long service life.
 The component surface is protected by the stationary lower ring.

On request:

Special versions.
 Other colours and thread lengths.

Drawing reference:

1) flat point DIN EN ISO 4753

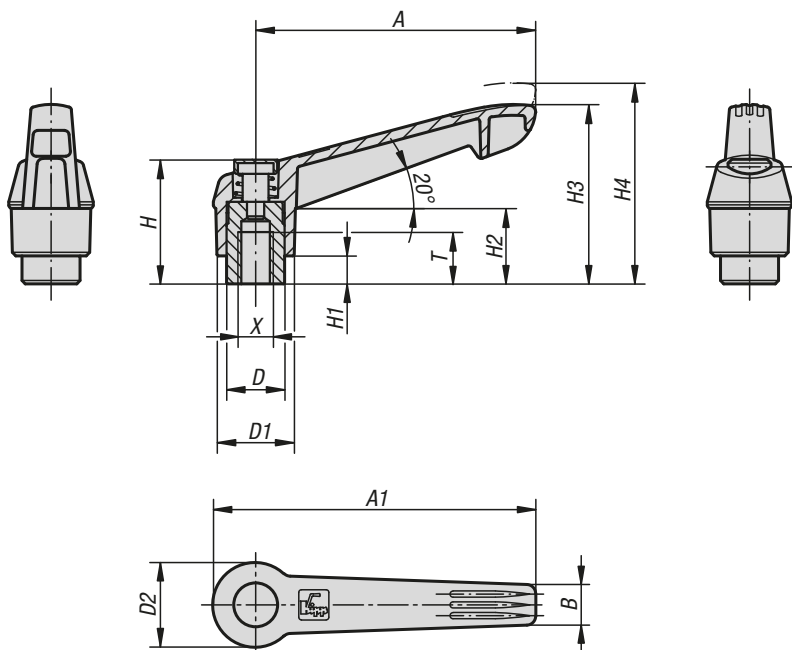


KIPP Clamping levers, plastic with male thread and clamping force intensifier

Order No.	X	D2	H	H2	H3	H4	A	A1	B	L
K1598.512ΔX	M12	35	59,1	43	82,8	87,8	109,9	127,4	15,6	20/50/40/30
K1598.410ΔX	M10	30	53,1	36	71,1	76,1	95,4	110,4	13,2	50/20/40/30
K1598.208ΔX	M8	25	38,5	27,5	51,6	55,6	65	77,5	9,4	10/20/30/40
K1598.310ΔX	M10	30	47	34	63,4	67,9	80	95	11,1	15/30/40/50

Clamping levers with push button

internal thread



Material:

Handle fibreglass reinforced plastic, toothed ring die-cast zinc. Steel parts grade 5.8. Push button plastic (POM).

Version:

Steel parts black oxidised.

Sample order:

K0269.71104
(clamping lever black grey, push button traffic red)

Note:

Δ Enter the desired lever colour here.
The standard colours are:
Black grey clamping lever, traffic red push button.
Orange clamping lever, black grey push button.
Traffic red clamping lever, black grey push button.

On request:

Other threads and special versions.
Dimension "H1" available in other lengths at extra charge.

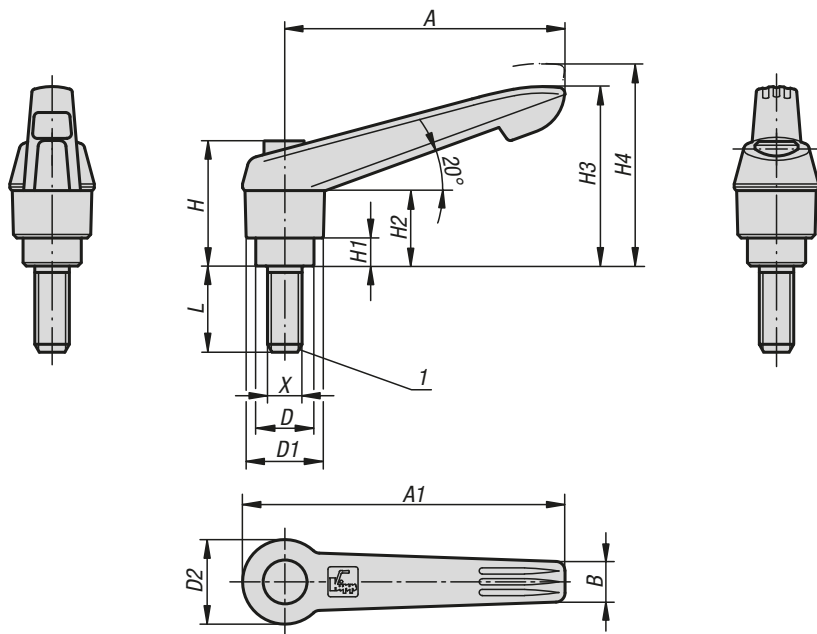


KIPP Clamping levers with push button, internal thread

Order No.	X	A	A1	B	D	D1	D2	H	H1	H2	H3	H4	T	No. of teeth
K0269.7Δ104	M4	40	47	7,5	10	13	14,5	25,5	4	15	30	33,5	9	16
K0269.7Δ105	M5	40	47	7,5	10	13	14,5	25,5	4	15	30	33,5	9	16
K0269.7Δ106	M6	40	47	7,5	10	13	14,5	25,5	4	15	30	33,5	9	16
K0269.7Δ206	M6	65	75	9,5	13,5	18	19,5	29,5	6,5	17,5	41,5	45,5	12	20
K0269.7Δ208	M8	65	75	9,5	13,5	18	19,5	29,5	6,5	17,5	41,5	45,5	12	20
K0269.7Δ308	M8	80	91,5	11	16	21,5	23	38,5	10	24	53,5	58	14	22
K0269.7Δ310	M10	80	91,5	11	16	21,5	23	38,5	10	24	53,5	58	14	22
K0269.7Δ410	M10	95	109	13	19	25,5	27,5	44,6	10	26	61	66	17	24
K0269.7Δ412	M12	95	109	13	19	25,5	27,5	44,6	10	26	61	66	17	24
K0269.7Δ512	M12	110	126	15,5	23	30	32,5	50,6	12	33	72	77	23	26
K0269.7Δ516	M16	110	126	15,5	23	30	32,5	50,6	12	33	72	77	23	26

Clamping levers with push button

external thread



Material:

Handle fibreglass reinforced plastic, toothed ring die-cast zinc.
Steel parts grade 5.8.
Push button plastic (POM).

Version:

Steel parts black oxidised.

Sample order:

K0269.71105X10
(clamping lever black grey, push button traffic red.
Include length L)

Note:

Δ Enter the desired lever colour here.
The standard colours are:
Black grey clamping lever, traffic red push button.
Orange clamping lever, black grey push button.
Traffic red clamping lever, black grey push button.

Where $L \geq 60$ mm the thread length is always 60 mm.

On request:

Other threads, screw lengths and special versions.
Dimension "H1" available in other lengths at extra charge.

Drawing reference:

1) flat point DIN EN ISO 4753

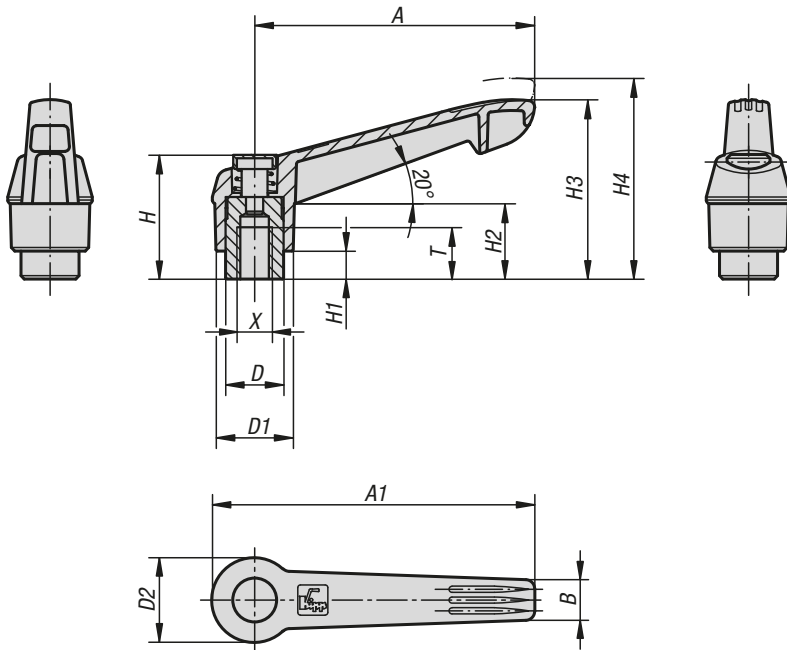


KIPP Clamping levers with push button, external thread

Order No.	X	A	A1	B	D	D1	D2	H	H1	H2	H3	H4	No. of teeth	L
K0269.7Δ105X	M5	40	47	7,5	10	13	14,5	25,5	4	15	30	33,5	16	10/15/20/25/30/35/40/45/50
K0269.7Δ106X	M6	40	47	7,5	10	13	14,5	25,5	4	15	30	33,5	16	10/15/20/25/30/35/40/45/50
K0269.7Δ206X	M6	65	75	9,5	13,5	18	19,5	29,5	6,5	17,5	41,5	45,5	20	15/20/25/30/35/40/45/50/55/60
K0269.7Δ208X	M8	65	75	9,5	13,5	18	19,5	29,5	6,5	17,5	41,5	45,5	20	15/20/25/30/35/40/45/50/55/60
K0269.7Δ210X	M10	65	75	9,5	13,5	18	19,5	29,5	6,5	17,5	41,5	45,5	20	15/20/25/30/35/40/45/50/55/60
K0269.7Δ308X	M8	80	91,5	11	16	21,5	23	38,5	10	24	53,5	58	22	15/20/25/30/35/40/45/50/55/60
K0269.7Δ310X	M10	80	91,5	11	16	21,5	23	38,5	10	24	53,5	58	22	15/20/25/30/35/40/45/50/55/60
K0269.7Δ410X	M10	95	109	13	19	25,5	27,5	44,6	10	26	61	66	24	20/25/30/35/40/45/50/55/60/70/80/90
K0269.7Δ412X	M12	95	109	13	19	25,5	27,5	44,6	10	26	61	66	24	20/25/30/35/40/45/50/55/60/70/80/90
K0269.7Δ512X	M12	110	126	15,5	23	30	32,5	50,6	12	33	72	77	26	25/30/35/40/45/50/55/60/70/80/90
K0269.7Δ516X	M16	110	126	15,5	23	30	32,5	50,6	12	33	72	77	26	25/30/35/40/45/50/55/60/70/80/90

Clamping levers with push button

internal thread, metal parts stainless-steel



Material:

Handle fibreglass reinforced plastic, toothed ring die-cast zinc. Metal parts stainless steel 1.4305. Push button plastic (POM).

Version:

Steel parts bright.

Sample order:

K0270.71104
(clamping lever black grey, push button traffic red)

Note:

Δ Enter the desired lever colour here.

The standard colours are:

Black grey clamping lever, traffic red push button.

Orange clamping lever, black grey push button.

Traffic red clamping lever, black grey push button.

On request:

Other threads and special versions.

Dimension "H1" available in other lengths at extra charge.

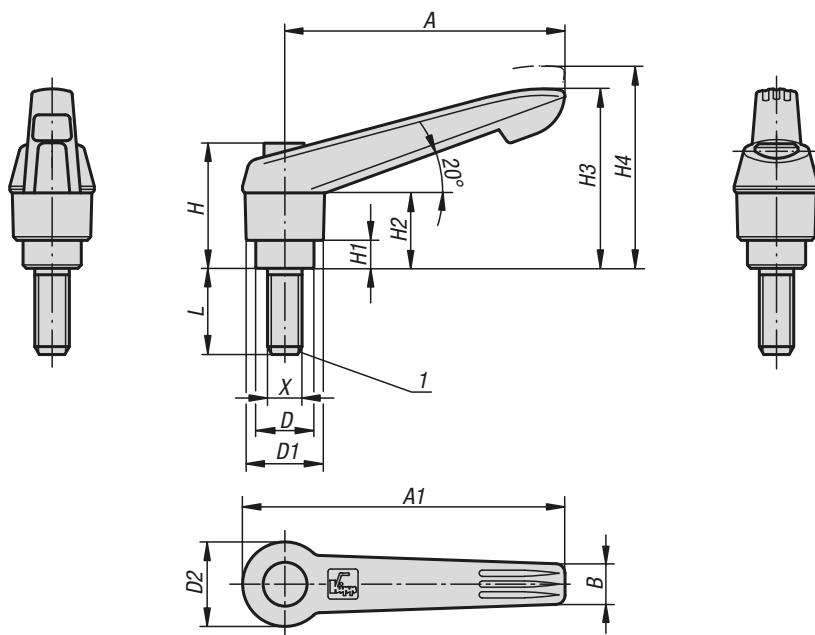


KIPP Clamping levers with push button, internal thread, metal parts stainless steel

Order No.	X	A	A1	B	D	D1	D2	H	H1	H2	H3	H4	T	No. of teeth
K0270.7Δ104	M4	40	47	7,5	10	13	14,5	25,5	4	15	30	33,5	9	16
K0270.7Δ105	M5	40	47	7,5	10	13	14,5	25,5	4	15	30	33,5	9	16
K0270.7Δ106	M6	40	47	7,5	10	13	14,5	25,5	4	15	30	33,5	9	16
K0270.7Δ206	M6	65	75	9,5	13,5	18	19,5	29,5	6,5	17,5	41,5	45,5	12	20
K0270.7Δ208	M8	65	75	9,5	13,5	18	19,5	29,5	6,5	17,5	41,5	45,5	12	20
K0270.7Δ308	M8	80	91,5	11	16	21,5	23	38,5	10	24	53,5	58	14	22
K0270.7Δ310	M10	80	91,5	11	16	21,5	23	38,5	10	24	53,5	58	14	22
K0270.7Δ410	M10	95	109	13	19	25,5	27,5	44,6	10	26	61	66	17	24
K0270.7Δ412	M12	95	109	13	19	25,5	27,5	44,6	10	26	61	66	17	24
K0270.7Δ512	M12	110	126	15,5	23	30	32,5	50,6	12	33	72	77	23	26
K0270.7Δ516	M16	110	126	15,5	23	30	32,5	50,6	12	33	72	77	23	26

Clamping levers with push button

external thread, metal parts stainless-steel



Material:

Handle fibreglass reinforced plastic, toothed ring die-cast zinc. Metal parts stainless steel 1.4305. Push button plastic (POM).

Version:

Steel parts bright.

Sample order:

K0270.71105X10
(Clamping lever black grey, push button traffic red. Include length L)

Note:

Δ Enter the desired lever colour here.
The standard colours are:
Black grey clamping lever, traffic red push button.
Orange clamping lever, black grey push button.
Traffic red clamping lever, black grey push button.

Where $L \geq 60$ mm the thread length is 60 mm.

On request:

Other threads, screw lengths and special versions.
Dimension "H1" available in other lengths at extra charge.

Drawing reference:

1) flat point DIN EN ISO 4753

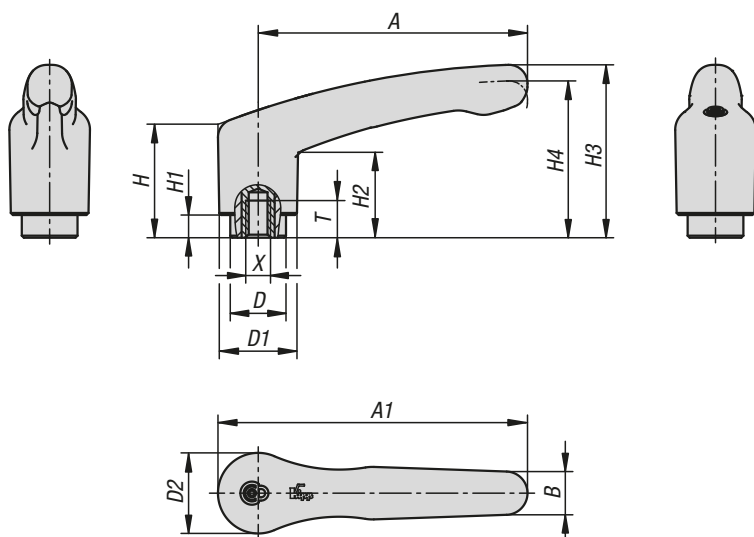


KIPP Clamping levers with push button, external thread, metal parts stainless steel

Order No.	X	A	A1	B	D	D1	D2	H	H1	H2	H3	H4	No. of teeth	L
K0270.7Δ105X	M5	40	47	7,5	10	13	14,5	25,5	4	15	30	33,5	16	10/15/20/25
K0270.7Δ106X	M6	40	47	7,5	10	13	14,5	25,5	4	15	30	33,5	16	10/15/20/25/30/40/50
K0270.7Δ206X	M6	65	75	9,5	13,5	18	19,5	29,5	6,5	17,5	41,5	45,5	20	15/20/25/30/40/50/60
K0270.7Δ208X	M8	65	75	9,5	13,5	18	19,5	29,5	6,5	17,5	41,5	45,5	20	15/20/25/30/40/50/60
K0270.7Δ210X	M10	65	75	9,5	13,5	18	19,5	29,5	6,5	17,5	41,5	45,5	20	20/25/30/40/50/60
K0270.7Δ308X	M8	80	91,5	11	16	21,5	23	38,5	10	24	53,5	58	22	20/25/30/40/50/60
K0270.7Δ310X	M10	80	91,5	11	16	21,5	23	38,5	10	24	53,5	58	22	20/25/30/40/50/60
K0270.7Δ412X	M12	95	109	13	19	25,5	27,5	44,6	10	26	61	66	24	25/30/40/50/60
K0270.7Δ516X	M16	110	126	15,5	23	30	32,5	50,6	12	33	72	77	26	30/40/50/60

Clamping levers, plastic with safety function

with female thread



Clamping levers with safety function prevent changes in the locking point through accidental opening or closing. In the default position, the lever can be freely rotated and has no connection to the clamping point. The grip lever only engages when pushed down and the clamp can be loosened or tightened. A spring sets the lever automatically into the default position when released.

Material:
Handle and insert made from reinforced plastic.
Bush brass.

Sample order:
K1553.2051

Advantages:
Protection against accidental opening or closing.
Closed grip contour without protruding edges.

On request:
Special versions.

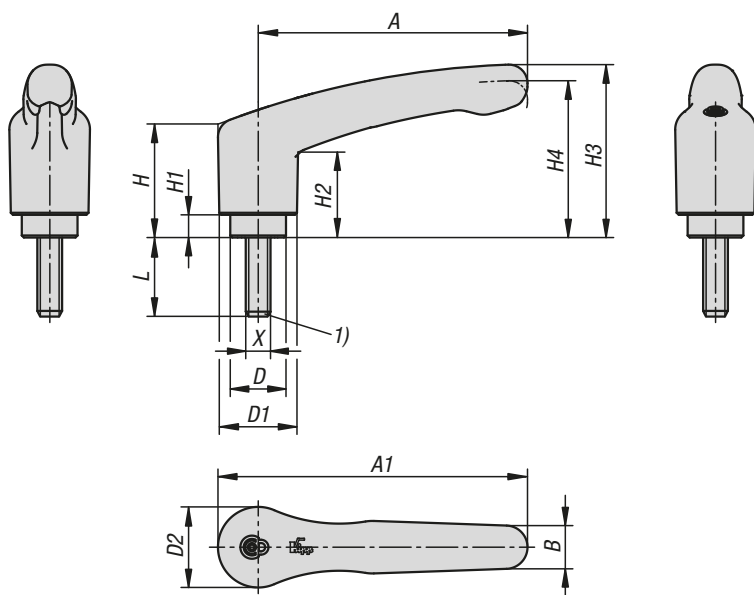


KIPP Clamping levers, plastic with safety function with female thread

Order No.	Main colour	X	T	D	D1	D2	H	H1	H2	H3	H4	A	A1	B	No. of teeth
K1553.2051	black grey RAL 7021	M5	7,5	13,5	18,8	19,5	27,4	5,5	20,7	41,9	38	65,2	75	10,5	12
K1553.2061	black grey RAL 7021	M6	9	13,5	18,8	19,5	27,4	5,5	20,7	41,9	38	65,2	75	10,5	12
K1553.2081	black grey RAL 7021	M8	9	13,5	18,8	19,5	27,4	5,5	20,7	41,9	38	65,2	75	10,5	12
K1553.20584	traffic red RAL 3020	M5	7,5	13,5	18,8	19,5	27,4	5,5	20,7	41,9	38	65,2	75	10,5	12
K1553.20684	traffic red RAL 3020	M6	9	13,5	18,8	19,5	27,4	5,5	20,7	41,9	38	65,2	75	10,5	12
K1553.20884	traffic red RAL 3020	M8	9	13,5	18,8	19,5	27,4	5,5	20,7	41,9	38	65,2	75	10,5	12

Clamping levers, plastic with safety function

with male thread



Clamping levers with safety function prevent changes in the locking point through accidental opening or closing.

In the default position, the lever can be freely rotated and has no connection to the clamping point. The grip lever only engages when pushed down and the clamp can be loosened or tightened. A spring sets the lever automatically into the default position when released.

Material:

Handle and insert reinforced plastic.
Screw steel 5.8.

Version:

Steel trivalent blue passivated.

Sample order:

K1553.2051X20 (include length L)

Advantages:

Protection against accidental opening or closing.
Closed grip contour without protruding edges.

On request:

Special versions.

Drawing reference:

1) flat point DIN EN ISO 4753

press to engage
(safety function)



KIPP Clamping levers, plastic with safety function with male thread

Order No.	Main colour	X	D	D1	D2	H	H1	H2	H3	H4	A	A1	B	L	No. of teeth
K1553.2051X	black grey RAL 7021	M5	13,5	18,8	19,5	27,4	5,5	20,7	41,9	38	65,2	75	10,5	10/20/30/40	12
K1553.2061X	black grey RAL 7021	M6	13,5	18,8	19,5	27,4	5,5	20,7	41,9	38	65,2	75	10,5	10/20/30/40	12
K1553.2081X	black grey RAL 7021	M8	13,5	18,8	19,5	27,4	5,5	20,7	41,9	38	65,2	75	10,5	10/20/30/40	12
K1553.20584X	traffic red RAL 3020	M5	13,5	18,8	19,5	27,4	5,5	20,7	41,9	38	65,2	75	10,5	10/20/30/40	12
K1553.20684X	traffic red RAL 3020	M6	13,5	18,8	19,5	27,4	5,5	20,7	41,9	38	65,2	75	10,5	10/20/30/40	12
K1553.20884X	traffic red RAL 3020	M8	13,5	18,8	19,5	27,4	5,5	20,7	41,9	38	65,2	75	10,5	10/20/30/40	12

Clamping levers antistatic

internal thread, plastic grip



Material:

Handles reinforced plastic, toothed ring die-cast zinc. Steel parts grade 5.8.

Version:

Steel parts black oxidised, handles graphite black.

Sample order:

K0269.1120624

Application:

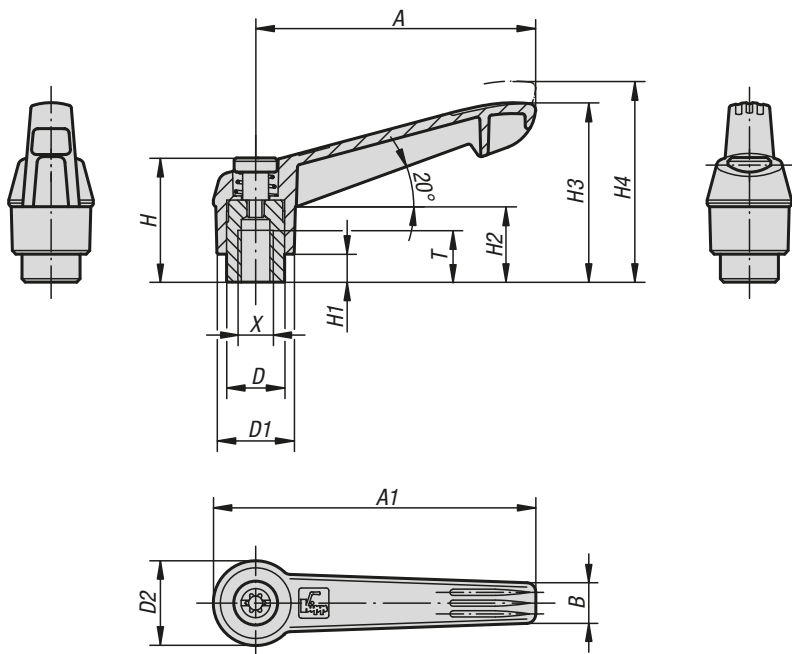
Sensitive electrical or electronic equipment, components and devices (ESD sensitive elements) may be damaged or destroyed by electrostatic discharges (ESD) in the immediate vicinity. Electrostatic discharges can come from people or through handling ESD sensitive components (e.g. during production, assembly, transport, storage etc). Electrically conductive products which conform to DIN EN 61340-5-1 are essential within electronic environments to prevent an electrostatic discharge. These products can be used for ESD applications or in ESD protection areas (EPA) in accordance with DIN EN 61340-5-1.

Safety:

These ESD products can also be used for devices, components and protection systems in areas with high risk of explosion. Use of these ESD products prevents the occurrence of electrostatic spark discharges, eliminating the potential ignition of gases and dusts which could lead to explosions in enclosed spaces. Manufacturers and operators must use and conform to ATEX directives for the protection of persons working in areas with high risk of explosion. These ESD products are certified by TÜV-Süd in relation to their electrical discharge capability.

Target groups:

Device manufacturers required to conform to ATEX product directive 2014/34/EU.
Operators required to conform to ATEX worker protection directive 1999/92/EC.



lift to disengage

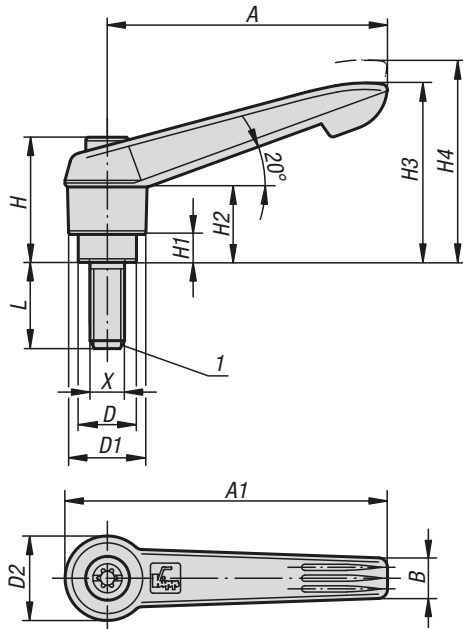
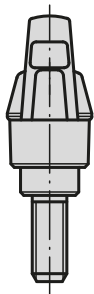
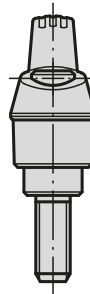


KIPP Clamping levers antistatic, internal thread, plastic grip

Order No.	X	A	A1	B	D	D1	D2	H	H1	H2	H3	H4	T	No. of teeth
K0269.1120624	M6	65	75	9,5	13,5	18	19,5	28,5	6,5	17,5	41,5	45,5	12	20
K0269.1120824	M8	65	75	9,5	13,5	18	19,5	28,5	6,5	17,5	41,5	45,5	12	20

Clamping levers antistatic

external thread, plastic grip



Material:

Handles reinforced plastic, toothed ring die-cast zinc. Steel parts grade 5.8.

Version:

Steel parts black oxidised, handles graphite black.

Sample order:

K0269.1120624X20

Note:

Where $L \geq 60$ mm the thread length is always 60 mm.

Application:

Sensitive electrical or electronic equipment, components and devices (ESD sensitive elements) may be damaged or destroyed by electrostatic discharges (ESD) in the immediate vicinity.

Electrostatic discharges can come from people or through handling ESD sensitive components (e.g. during production, assembly, transport, storage etc). Electrically conductive products which conform to DIN EN 61340-5-1 are essential within electronic environments to prevent an electrostatic discharge. These products can be used for ESD applications or in ESD protection areas (EPA) in accordance with DIN EN 61340-5-1.

Safety:

These ESD products can also be used for devices, components and protection systems in areas with high risk of explosion.

Use of these ESD products prevents the occurrence of electrostatic spark discharges, eliminating the potential ignition of gases and dusts which could lead to explosions in enclosed spaces.

Manufacturers and operators must use and conform to ATEX directives for the protection of persons working in areas with high risk of explosion.

These ESD products are certified by TÜV-Süd in relation to their electrical discharge capability.

Target groups:

Device manufacturers required to conform to ATEX product directive 2014/34/EU.

Operators required to conform to ATEX worker protection directive 1999/92/EC.

Drawing reference:

1) flat point DIN EN ISO 4753

lift to disengage

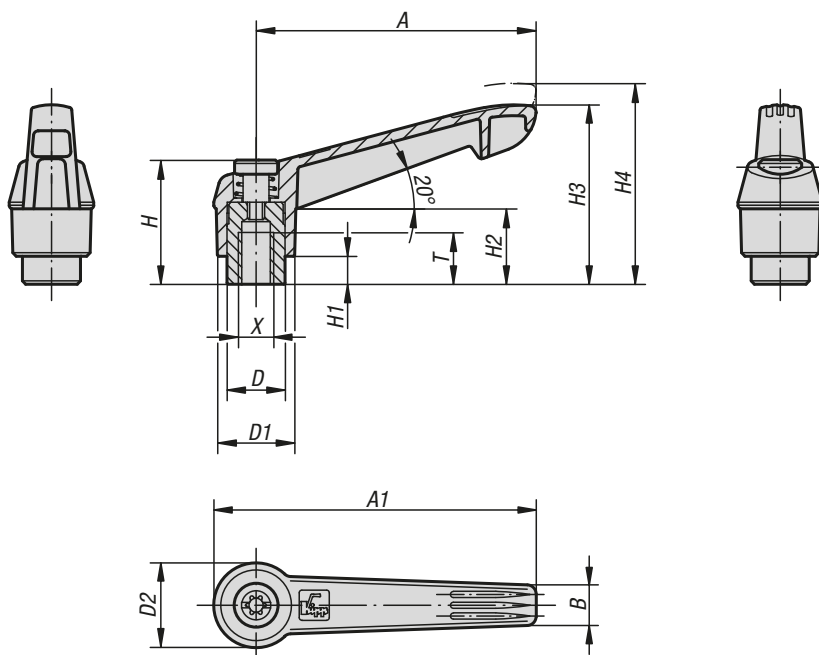


KIPP Clamping levers antistatic, external thread, plastic grip

Order No.	X	D	D1	D2	H	H1	H2	H3	H4	A	A1	B	No. of teeth	L
K0269.1120624X20	M6	13,5	18	19,5	28,5	6,5	17,5	41,5	45,5	65	75	9,5	20	20
K0269.1120824X20	M8	13,5	18	19,5	28,5	6,5	17,5	41,5	45,5	65	75	9,5	20	20
K0269.1121024X20	M10	13,5	18	19,5	28,5	6,5	17,5	41,5	45,5	65	75	9,5	20	20

Clamping levers antibacterial

internal thread, plastic grip, metal parts stainless steel



Material:

Handles slate grey reinforced plastic, toothed ring die-cast zinc.
Steel parts stainless steel 1.4305.

Version:

Stainless steel bright.

Sample order:

K0270.12206144

Application:

The antibacterial KIPP MEDI grip products are highly effective against a variety of hazardous microorganisms, such as bacteria, fungi and even multi-resistant bacteria (e.g. MRSA).

The plastic used incorporates micro-silver particles with an antimicrobial effect to ensure effective results throughout the entire product life cycle.

Function:

The growth of harmful micro-organisms on the product surface is effectively disrupted by means of silver ions, and the existing germs on MEDI grip products are consistently reduced (as tested and confirmed by an accredited testing laboratory).

During cleaning cycles the risk of infection through touching these products is significantly lower.

Advantages:

Resistant to humidity and cleaning products (during disinfection) with no toxic side effects.

Applications:

For installation on machines, equipment, plants and furnishings in areas with increased hygienic requirements (including hospitals, doctors' surgeries, rehabilitation centres and food production facilities), as well as for use in public areas or regularly frequented institutions (i.e. nursing homes or daycare centres).

lift to disengage

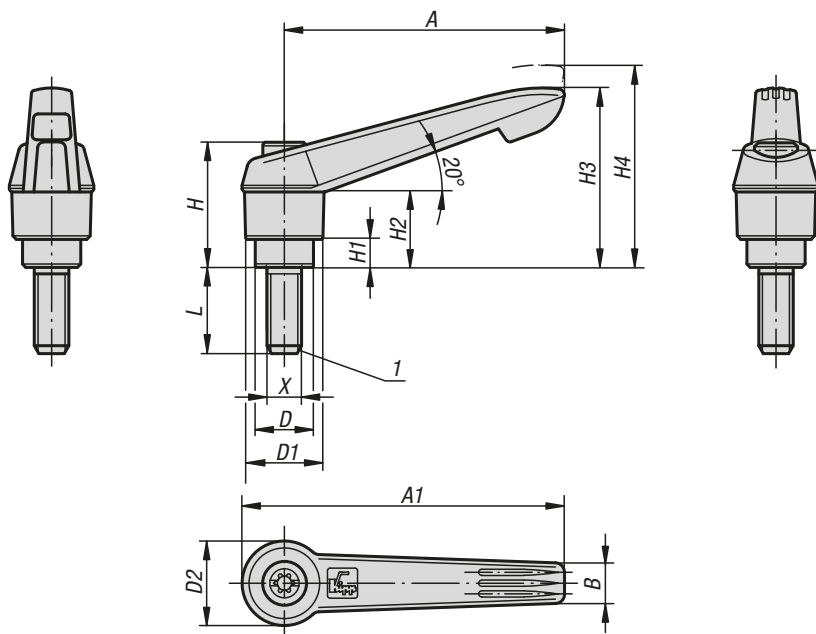


KIPP Clamping levers antibacterial, internal thread, plastic grip, metal parts stainless steel

Order No.	X	T	D	D1	D2	H	H1	H2	H3	H4	A	A1	B	No. of teeth
K0270.12206144	M6	12	13,5	18	19,5	28,5	6,5	17,5	41,5	45,5	65	75	9,5	20
K0270.12208144	M8	12	13,5	18	19,5	28,5	6,5	17,5	41,5	45,5	65	75	9,5	20

Clamping levers antibacterial

external thread, plastic grip, metal parts stainless steel



Material:

Handles slate grey reinforced plastic, toothed ring die-cast zinc.
Steel parts stainless steel 1.4305.

Version:

Stainless steel bright.

Sample order:

K0270.12210144X20

Note:

Where $L \geq 60$ mm the thread length is always 60 mm.

Application:

The antibacterial KIPP MEDI grip products are highly effective against a variety of hazardous microorganisms, such as bacteria, fungi and even multi-resistant bacteria (e.g. MRSA). The plastic used incorporates micro-silver particles with an antimicrobial effect to ensure effective results throughout the entire product life cycle.

Function:

The growth of harmful micro-organisms on the product surface is effectively disrupted by means of silver ions, and the existing germs on MEDI grip products are consistently reduced (as tested and confirmed by an accredited testing laboratory). During cleaning cycles the risk of infection through touching these products is significantly lower.

Advantages:

Resistant to humidity and cleaning products (during disinfection) with no toxic side effects.

Applications:

For installation on machines, equipment, plants and furnishings in areas with increased hygienic requirements (including hospitals, doctors' surgeries, rehabilitation centres and food production facilities), as well as for use in public areas or regularly frequented institutions (i.e. nursing homes or daycare centres).

lift to disengage

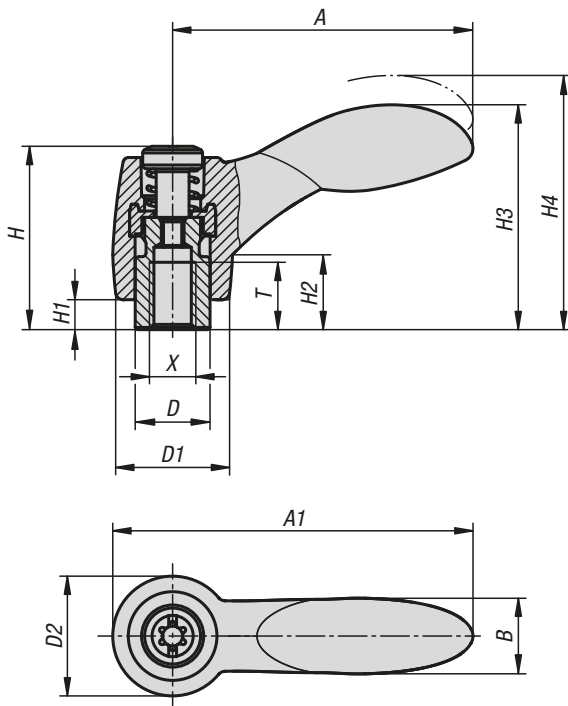


KIPP Clamping levers antibacterial, external thread, plastic grip, metal parts stainless steel

Order No.	X	D	D1	D2	H	H1	H2	H3	H4	A	A1	B	No. of teeth	L
K0270.12206144X20	M6	13,5	18	19,5	28,5	6,5	17,5	41,5	45,5	65	75	9,5	20	20
K0270.12208144X20	M8	13,5	18	19,5	28,5	6,5	17,5	41,5	45,5	65	75	9,5	20	20
K0270.12210144X20	M10	13,5	18	19,5	28,5	6,5	17,5	41,5	45,5	65	75	9,5	20	20

Clamping levers 2K

internal thread



Material:

Handle:

Hard component fibreglass reinforced plastic with die-cast zinc toothed ring.

Soft component Thermoflex based on SEBS.

Steel parts: grade 5.8.

Version:

Steel parts black oxidised.

Sample order:

K0125.10401

Note:

The hard and soft components are supplied in black grey RAL 7021 as standard.

On request:

Other internal threads, colour combinations and special versions.

Dimension "H1" available in other lengths on request at extra charge.

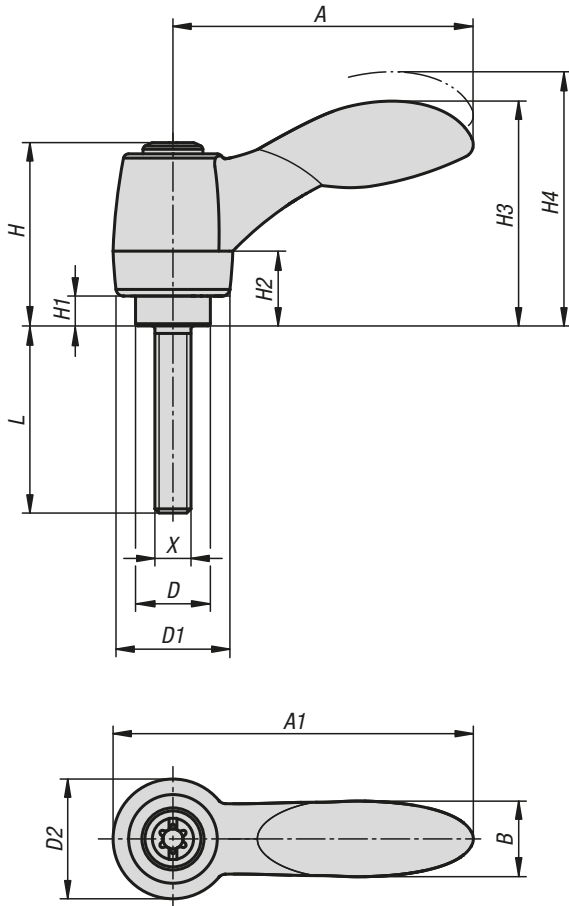


KIPP Clamping levers 2K with internal thread

Order No.	Component material	X	T	D	D1	D2	H	H1	H2	H3	H4	A	A1	B	No. of teeth
K0125.10401	steel	M4	9	10	15	16	24,5	4	10	30	33,5	40,1	48,1	10,1	16
K0125.10501	steel	M5	9	10	15	16	24,5	4	10	30	33,5	40,1	48,1	10,1	16
K0125.10601	steel	M6	9	10	15	16	24,5	4	10	30	33,5	40,1	48,1	10,1	16
K0125.20601	steel	M6	12	13,5	17,5	19	28,5	6,5	12,5	41,2	45,2	64,9	74,4	17,6	20
K0125.20801	steel	M8	12	13,5	17,5	19	28,5	6,5	12,5	41,2	45,2	64,9	74,4	17,6	20
K0125.30801	steel	M8	14	16	21	22	37	10	17	51,6	56,1	80,2	91,2	20,7	22
K0125.31001	steel	M10	14	16	21	22	37	10	17	51,6	56,1	80,2	91,2	20,7	22

Clamping levers 2K

external thread



Material:

Handle:

Hard component fibreglass reinforced plastic with die-cast zinc toothed ring.

Soft component Thermoflex based on SEBS.

Steel parts:
grade 5.8.

Version:

Steel parts black oxidised.

Sample order:

K0125.10501X10 (include length L)

Note:

The hard and soft components are supplied in black grey RAL 7021 as standard.

Where $L \geq 60$ mm the thread length is always 60 mm.

On request:

Other external threads, screw lengths, colour combinations and special versions.

Dimension "H1" available in other lengths on request at extra charge.

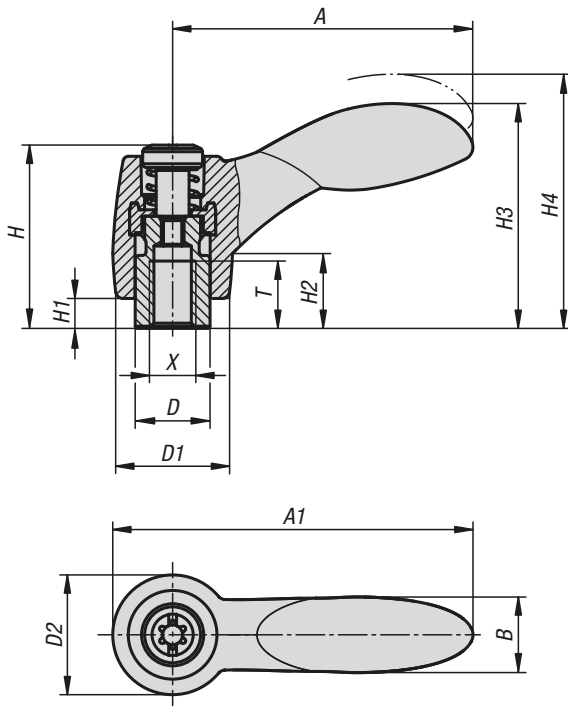


KIPP Clamping levers 2K with external thread

Order No.	X	D	D1	D2	H	H1	H2	H3	H4	A	A1	B	No. of teeth	L
K0125.10501X	M5	10	15	16	24,5	4	10	30	33,5	40,1	48,1	10,1	16	10/15/20/25/30/35/40/45/50
K0125.10601X	M6	10	15	16	24,5	4	10	30	33,5	40,1	48,1	10,1	16	10/15/20/25/30/35/40/45/50
K0125.20601X	M6	13,5	17,5	19	28,5	6,5	12,5	41,2	45,2	64,9	74,4	17,6	20	15/20/25/30/35/40/45/50/55/60
K0125.20801X	M8	13,5	17,5	19	28,5	6,5	12,5	41,2	45,2	64,9	74,4	17,6	20	15/20/25/30/35/40/45/50/55/60
K0125.21001X	M10	13,5	17,5	19	28,5	6,5	12,5	41,2	45,2	64,9	74,4	17,6	20	15/20/25/30/35/40/45/50/55/60
K0125.30801X	M8	16	21	22	37	10	17	51,6	56,1	80,2	91,2	20,7	22	15/20/25/30/35/40/45/50/55/60
K0125.31001X	M10	16	21	22	37	10	17	51,6	56,1	80,2	91,2	20,7	22	15/20/25/30/35/40/45/50/55/60

Clamping levers 2K

internal thread, metal parts stainless steel



Material:

Handle:

Hard component in glass-fibre-reinforced plastic with toothed wheel in die cast zinc.

Soft component: Thermoflex based on SEBS.

Steel parts:

Stainless steel, 1.4305.

Version:

Steel parts bright.

Sample order:

K0126.10401

Note:

The hard and soft components are supplied in black grey RAL 7021 as standard.

On request:

Other internal threads, colour combinations and special versions.

Dimension "H1" available in other lengths on request at extra charge.

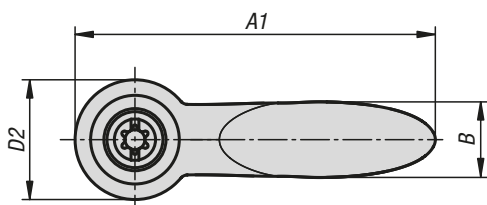
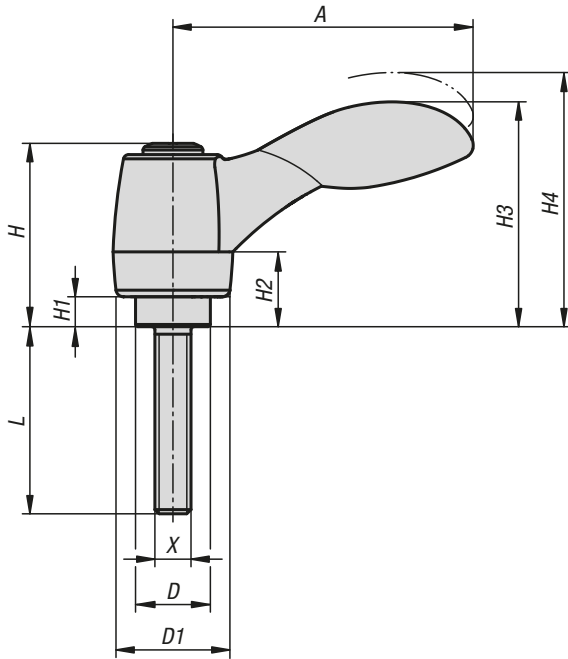


KIPP Clamping levers 2K with internal thread, metal parts stainless steel

Order No.	Component material	X	T	D	D1	D2	H	H1	H2	H3	H4	A	A1	B	No. of teeth
K0126.10401	stainless steel	M4	9	10	15	16	24,5	4	10	30	33,5	40,1	48,1	10,1	16
K0126.10501	stainless steel	M5	9	10	15	16	24,5	4	10	30	33,5	40,1	48,1	10,1	16
K0126.10601	stainless steel	M6	9	10	15	16	24,5	4	10	30	33,5	40,1	48,1	10,1	16
K0126.20601	stainless steel	M6	12	13,5	17,5	19	28,5	6,5	12,5	41,2	45,2	64,9	74,4	17,6	20
K0126.20801	stainless steel	M8	12	13,5	17,5	19	28,5	6,5	12,5	41,2	45,2	64,9	74,4	17,6	20
K0126.30801	stainless steel	M8	14	16	21	22	37	10	17	51,6	56,1	80,2	91,2	20,7	22
K0126.31001	stainless steel	M10	14	16	21	22	37	10	17	51,6	56,1	80,2	91,2	20,7	22

Clamping levers 2K

external thread, metal parts stainless steel



Material:

Handle:

Hard component in glass-fibre-reinforced plastic with toothed wheel in die cast zinc.

Soft component: Thermoflex based on SEBS.

Steel parts:

Stainless steel, 1.4305.

Version:

Steel parts bright.

Sample order:

K0126.10501X10 (include length L)

Note:

The hard and soft components are supplied in black grey RAL 7021 as standard.

Where $L \geq 60$ mm the thread length is always 60 mm.

On request:

Other external threads, screw lengths, colour combinations and special versions.

Dimension "H1" available in other lengths at extra charge.



lift to disengage



KIPP Clamping levers 2K with external thread, metal parts stainless steel

Order No.	X	D	D1	D2	H	H1	H2	H3	H4	A	A1	B	No. of teeth	L
K0126.10501X	M5	10	15	16	24,5	4	10	30	33,5	40,1	48,1	10,1	16	10/15/20/25
K0126.10601X	M6	10	15	16	24,5	4	10	30	33,5	40,1	48,1	10,1	16	10/15/20/25/30/40/50
K0126.20601X	M6	13,5	17,5	19	28,5	6,5	12,5	41,2	45,2	64,9	74,4	17,6	20	15/20/25/30/40/50/60
K0126.20801X	M8	13,5	17,5	19	28,5	6,5	12,5	41,2	45,2	64,9	74,4	17,6	20	15/20/25/30/40/50/60
K0126.21001X	M10	13,5	17,5	19	28,5	6,5	12,5	41,2	45,2	64,9	74,4	17,6	20	20/25/30/40/50/60
K0126.30801X	M8	16	21	22	37	10	17	51,6	56,1	80,2	91,2	20,7	22	20/25/30/40/50/60
K0126.31001X	M10	16	21	22	37	10	17	51,6	56,1	80,2	91,2	20,7	22	20/25/30/40/50/60

Clamping levers ECO

internal thread



Material:

Handle and insert made from reinforced plastic.
Bush brass or steel.

Version:

Steel trivalent blue passivated.

Sample order:

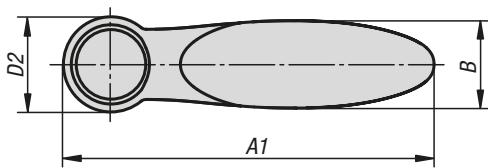
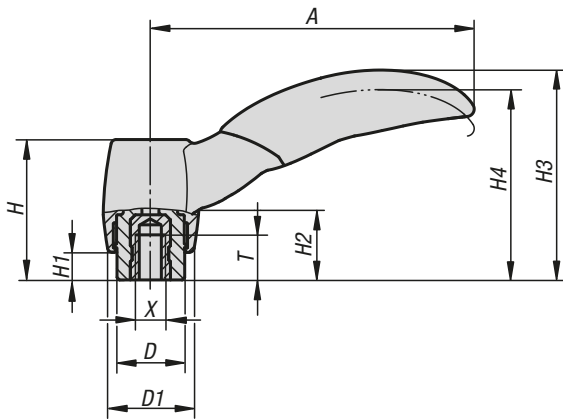
K0252.1041

Note:

Standard colour is black grey RAL 7021.

On request:

Other female threads, colours and special versions.



press to
disengage

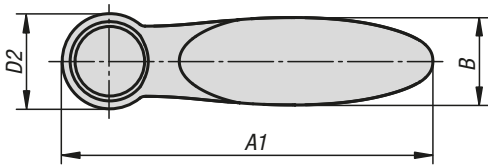
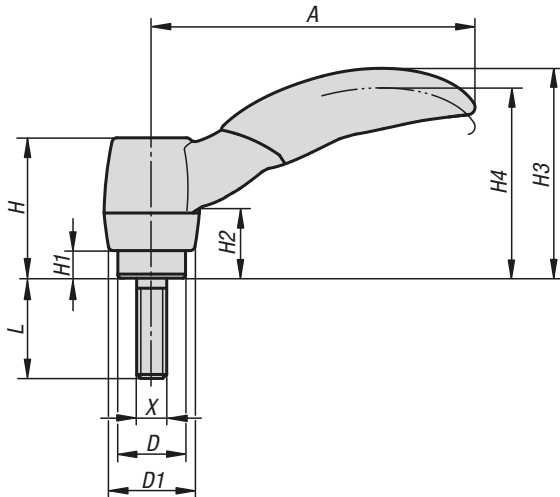


KIPP Clamping levers ECO internal thread

Order No.	Component material	X	T	D	D1	D2	H	H1	H2	H3	H4	A	A1	B	No. of teeth
K0252.1041	brass	M4	6	10	12,6	14,1	21,7	5	11,3	32	29,1	47,9	55	13	12
K0252.1051	brass	M5	6	10	12,6	14,1	21,7	5	11,3	32	29,1	47,9	55	13	12
K0252.2051	brass	M5	7,5	13,5	17	19	28	5,5	14	41,9	38	64,5	74	17,5	12
K0252.2061	brass	M6	9	13,5	17	19	28	5,5	14	41,9	38	64,5	74	17,5	12
K0252.2081	brass	M8	9	13,5	17	19	28	5,5	14	41,9	38	64,5	74	17,5	12
K0252.3081	steel	M8	12	17	20,4	23,9	40,7	10	23,1	58,1	53,3	81,1	93	22	12
K0252.3101	steel	M10	12	17	20,4	23,9	40,7	10	23,1	58,1	53,3	81,1	93	22	12

Clamping levers ECO

external thread



Material:

Handle and insert reinforced plastic.
Screw steel 5.8.

Version:

Steel trivalent blue passivated.

Sample order:

K0252.1041X10
(include length L)

Note:

Standard colour is black grey RAL 7021.

Where $L \geq 60$ mm the thread length is always 60 mm.

On request:

Other external threads, colours and special versions.

press to
disengage

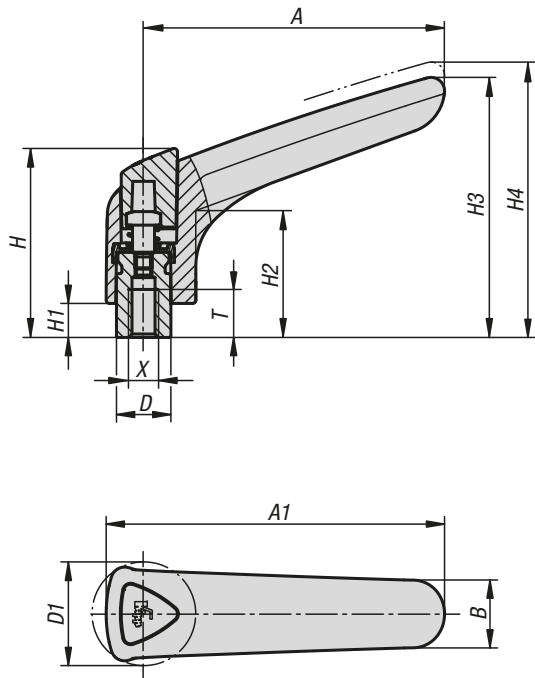


KIPP Clamping levers ECO external thread

Order No.	X	D	D1	D2	H	H1	H2	H3	H4	A	A1	B	No. of teeth	L
K0252.1041X	M4	10	12,6	14,1	21,7	5	11,3	32	29,1	47,9	55	13	12	10/15/20
K0252.1051X	M5	10	12,6	14,1	21,7	5	11,3	32	29,1	47,9	55	13	12	10/15/20/25
K0252.2051X	M5	13,5	17	19	28	5,5	14	41,9	38	64,5	74	17,5	12	10/15/20/25/30/40
K0252.2061X	M6	13,5	17	19	28	5,5	14	41,9	38	64,5	74	17,5	12	10/15/20/25/30/40
K0252.2081X	M8	13,5	17	19	28	5,5	14	41,9	38	64,5	74	17,5	12	10/15/20/25/30/40
K0252.3081X	M8	17	20,4	23,9	40,7	10	23,1	58,1	53,3	81,1	93	22	12	20/25/30/40/50/60
K0252.3101X	M10	17	20,4	23,9	40,7	10	23,1	58,1	53,3	81,1	93	22	12	20/25/30/40/50/60

Clamping levers ergonomic

internal thread



Material:

Handle: Hard components reinforced plastic, toothed ring die-cast zinc.
Soft components thermoplastic elastomer.
Steel parts: grade 5.8.

Version:

Steel parts blue-passivated.

Sample order:

K0981.3081

Note:

The colour combinations graphite black RAL 9011 (hard components) and black grey RAL 7021 (soft components) are supplied as standard.

The soft components ensure a non-slip grip of the operating part. The closed design offers sufficient protection against dirt. The design was especially developed for ergonomic gripping requirements.

The push button improves disengagement and allows the handle to be easily used.

On request:

Other internal threads, colours and special versions.
Dimension "H1" available in other lengths at extra charge.

lift to disengage

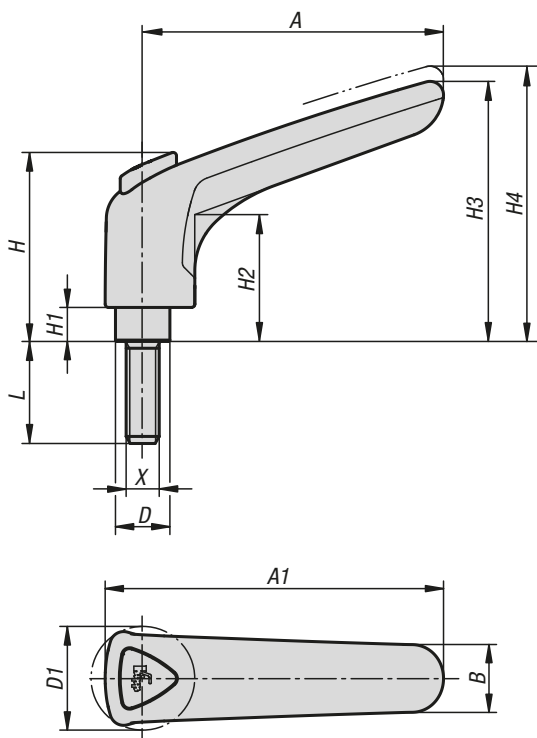


KIPP Clamping levers, ergonomic, internal thread

Order No.	X	T	D	D1	H	H1	H2	H3	H4	A	A1	B	No. of teeth
K0981.3081	M8	14	16	30,5	55,6	10	37,3	76,5	81	88,5	99,5	20	22
K0981.3101	M10	14	16	30,5	55,6	10	37,3	76,5	81	88,5	99,5	20	22

Clamping levers ergonomic

external thread



Material:

Handle: Hard components reinforced plastic, toothed ring die-cast zinc.
Soft components thermoplastic elastomer.
Steel parts: grade 5.8.

Version:

Steel parts blue-passivated.

Sample order:

K0981.3081X15 (include length L)

Note:

The colour combinations graphite black RAL 9011 (hard components) and black grey RAL 7021 (soft components) are supplied as standard.

The soft components ensure a non-slip grip of the operating part. The closed design offers sufficient protection against dirt. The design was especially developed for ergonomic gripping requirements.

The push button improves disengagement and allows the handle to be easily used.

Where $L \geq 60$ mm the thread length is 60 mm.

On request:

Other external threads, screw lengths, colour combinations and special versions.
Dimension "H1" available in other lengths on request at extra charge.

lift to disengage

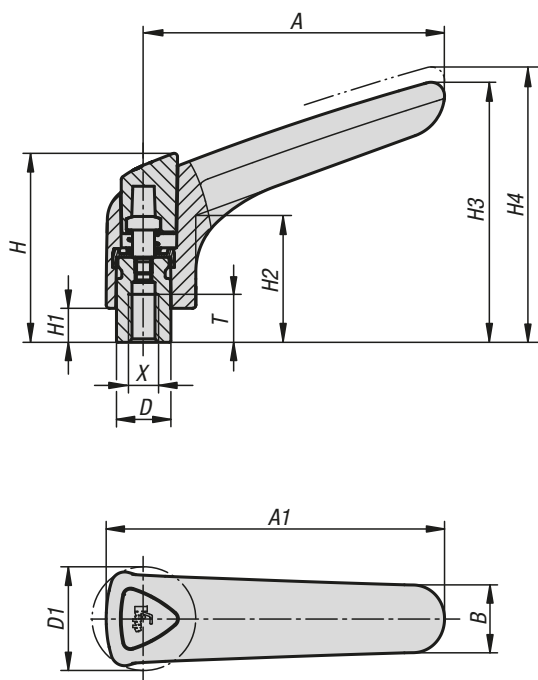


KIPP Clamping levers, ergonomic, external thread

Order No.	X	D	D1	H	H1	H2	H3	H4	A	A1	B	No. of teeth	L
K0981.3081X	M8	16	30,5	55,6	10	37,3	76,5	81	88,5	99,5	20	22	15/20/25/30/35/40/45/50/55/60
K0981.3101X	M10	16	30,5	55,6	10	37,3	76,5	81	88,5	99,5	20	22	15/20/25/30/35/40/45/50/55/60

Clamping levers ergonomic

internal thread, steel parts stainless steel



Material:

Handle: Hard components reinforced plastic, toothed ring die-cast zinc.

Soft components thermoplastic elastomer.

Steel parts:

Stainless steel, 1.4305.

Version:

Steel parts bright.

Sample order:

K0982.3081

Note:

The colour combinations graphite black RAL 9011 (hard components) and black grey RAL 7021 (soft components) are supplied as standard.

The soft components ensure a non-slip grip of the operating part. The closed design offers sufficient protection against dirt. The design was especially developed for ergonomic gripping requirements.

The push button improves disengagement and allows the handle to be easily used.

On request:

Other internal threads, colours and special versions. Dimension "H1" available in other lengths at extra charge.

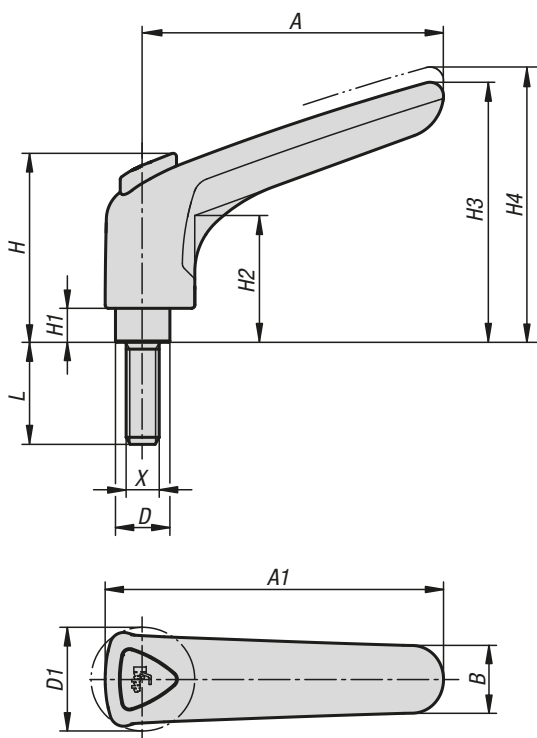


KIPP Clamping levers, ergonomic, internal thread, metal parts stainless steel

Order No.	X	T	D	D1	H	H1	H2	H3	H4	A	A1	B	No. of teeth
K0982.3081	M8	14	16	30,5	55,6	10	37,3	76,5	81	88,5	99,5	20	22
K0982.3101	M10	14	16	30,5	55,6	10	37,3	76,5	81	88,5	99,5	20	22

Clamping levers ergonomic

external thread, steel parts stainless steel



lift to disengage



Material:

Handle: Hard components reinforced plastic, toothed ring die-cast zinc.

Soft components thermoplastic elastomer.

Steel parts:

Stainless steel, 1.4305.

Version:

Steel parts bright.

Sample order:

K0982.3081X20

Note:

The colour combinations graphite black RAL 9011 (hard components) and black grey RAL 7021 (soft components) are supplied as standard.

The soft components ensure a non-slip grip of the operating part. The closed design offers sufficient protection against dirt. The design was especially developed for ergonomic gripping requirements.

The push button improves disengagement and allows the handle to be easily used.

Where $L \geq 60$ mm the thread length is 60 mm.

On request:

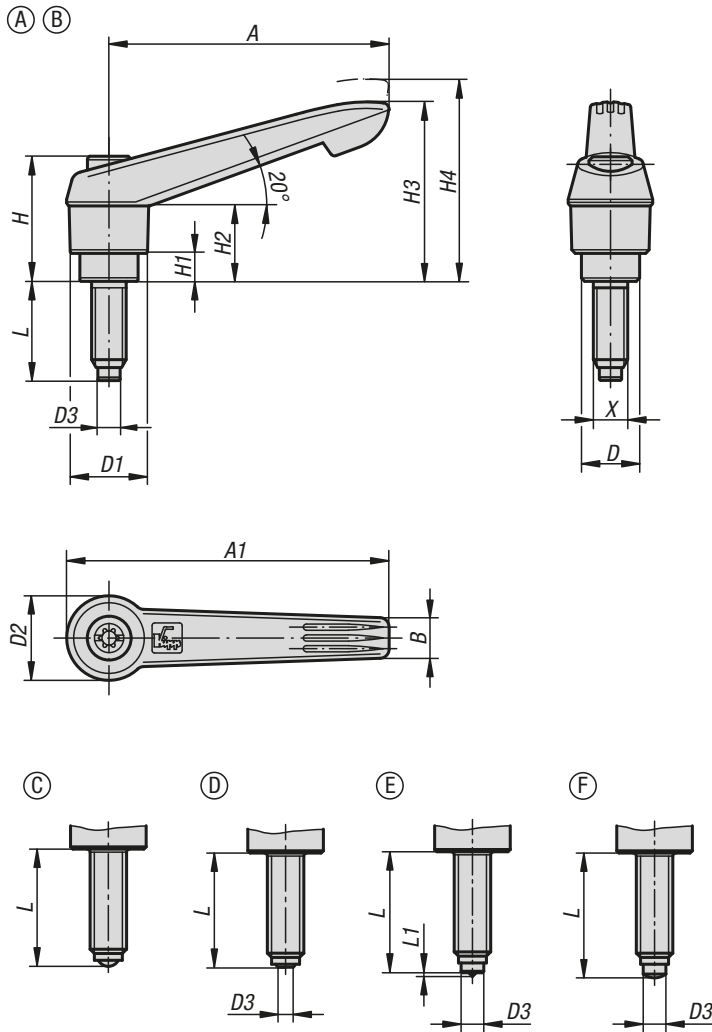
Other external threads, screw lengths, colour combinations and special versions.

Dimension "H1" available in other lengths on request at extra charge.

KIPP Clamping levers, ergonomic, external thread, metal parts stainless steel

Order No.	X	D	D1	H	H1	H2	H3	H4	A	A1	B	No. of teeth	L
K0982.3081X20	M8	16	30,5	55,6	10	37,3	76,5	81	88,5	99,5	20	22	20
K0982.3081X25	M8	16	30,5	55,6	10	37,3	76,5	81	88,5	99,5	20	22	25
K0982.3081X30	M8	16	30,5	55,6	10	37,3	76,5	81	88,5	99,5	20	22	30
K0982.3081X40	M8	16	30,5	55,6	10	37,3	76,5	81	88,5	99,5	20	22	40
K0982.3081X50	M8	16	30,5	55,6	10	37,3	76,5	81	88,5	99,5	20	22	50
K0982.3081X60	M8	16	30,5	55,6	10	37,3	76,5	81	88,5	99,5	20	22	60
K0982.3101X20	M10	16	30,5	55,6	10	37,3	76,5	81	88,5	99,5	20	22	20
K0982.3101X25	M10	16	30,5	55,6	10	37,3	76,5	81	88,5	99,5	20	22	25
K0982.3101X30	M10	16	30,5	55,6	10	37,3	76,5	81	88,5	99,5	20	22	30
K0982.3101X40	M10	16	30,5	55,6	10	37,3	76,5	81	88,5	99,5	20	22	40
K0982.3101X50	M10	16	30,5	55,6	10	37,3	76,5	81	88,5	99,5	20	22	50
K0982.3101X60	M10	16	30,5	55,6	10	37,3	76,5	81	88,5	99,5	20	22	60

Clamping levers with thrust pad



Material:

Handles fibreglass reinforced plastic with die-cast zinc toothed rings.
 Steel parts grade 5.8.
 Thrust pin, brass, steel or POM.
 Ball in steel.

Version:

Steel parts black oxidised.

Sample order:

K0780.12061X20 (include length L)

Note:

The various different thrust pins are used to avoid pressure marks, compensate for unevenness or increase the grip on the workpiece.
 Where $L \geq 60$ mm the thread length is always 60 mm.

On request:

Other threads, screw lengths, clamp lever colours and thrust pin types as well as special versions.
 Dimension "H1" available in other lengths at extra cost.

Drawing reference:

- Form A: brass thrust pin
- Form B: POM thrust pin
- Form C: with ball
- Form D: with flattened ball
- Form E: with point
- Form F: with half-dog point

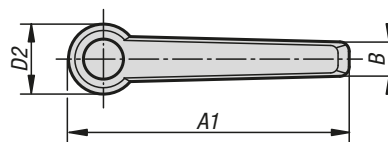
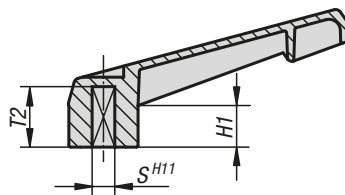
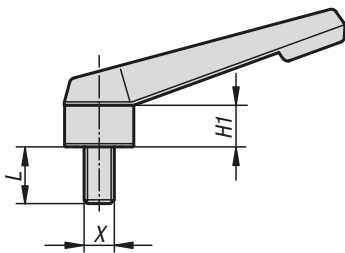
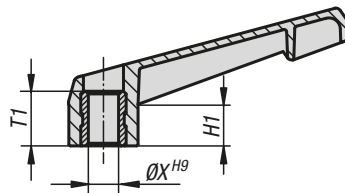
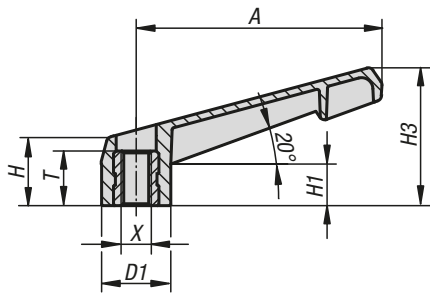
Clamping levers with thrust pad



KIPP Clamping levers with thrust pad

Order No.	Form	Component material	X	A	A1	B	D	D1	D2	D3	Ball Ø	H	H1	H2	H3	H4	L	L1	No. of teeth
K0780.11051X	A	pin brass	M5	40	47	7,5	10	13	14,5	3	-	24,5	4	15	30	33,5	20/30/40/50	-	16
K0780.11061X	A	pin brass	M6	40	47	7,5	10	13	14,5	4	-	24,5	4	15	30	33,5	20/30/40/50	-	16
K0780.12061X	A	pin brass	M6	65	75	9,5	13,5	18	19,5	4	-	28,5	6,5	17,5	41,5	45,5	20/30/40/50/60	-	20
K0780.12081X	A	pin brass	M8	65	75	9,5	13,5	18	19,5	5,5	-	28,5	6,5	17,5	41,5	45,5	20/30/40/50/60	-	20
K0780.12101X	A	pin brass	M10	65	75	9,5	13,5	18	19,5	7	-	28,5	6,5	17,5	41,5	45,5	20/30/40/50/60	-	20
K0780.21051X	B	pin POM	M5	40	47	7,5	10	13	14,5	3	-	24,5	4	15	30	33,5	20,5/30,5/40,5/50,5	-	16
K0780.21061X	B	pin POM	M6	40	47	7,5	10	13	14,5	3,5	-	24,5	4	15	30	33,5	19,8/29,8/39,8/49,8	-	16
K0780.22061X	B	pin POM	M6	65	75	9,5	13,5	18	19,5	3,5	-	28,5	6,5	17,5	41,5	45,5	19,8/29,8/39,8/49,8/59,8	-	20
K0780.22081X	B	pin POM	M8	65	75	9,5	13,5	18	19,5	5	-	28,5	6,5	17,5	41,5	45,5	19,6/29,6/39,6/49,6/59,6	-	20
K0780.22101X	B	pin POM	M10	65	75	9,5	13,5	18	19,5	6,5	-	28,5	6,5	17,5	41,5	45,5	19,9/29,9/39,9/49,9/59,9	-	20
K0780.31051X	C	ball steel	M5	40	47	7,5	10	13	14,5	-	3	24,5	4	15	30	33,5	19,5/29,5/39,5/49,5	-	16
K0780.31061X	C	ball steel	M6	40	47	7,5	10	13	14,5	-	4	24,5	4	15	30	33,5	19,3/29,3/39,3/49,3	-	16
K0780.32061X	C	ball steel	M6	65	75	9,5	13,5	18	19,5	-	4	28,5	6,5	17,5	41,5	45,5	19,3/29,3/39,3/49,3/59,3	-	20
K0780.32081X	C	ball steel	M8	65	75	9,5	13,5	18	19,5	-	5,5	28,5	6,5	17,5	41,5	45,5	19,2/29,2/39,2/49,2/59,2	-	20
K0780.32101X	C	ball steel	M10	65	75	9,5	13,5	18	19,5	-	7	28,5	6,5	17,5	41,5	45,5	19,7/29,7/39,7/49,7/59,7	-	20
K0780.41051X	D	ball steel	M5	40	47	7,5	10	13	14,5	2	3	24,5	4	15	30	33,5	19,1/29,1/39,1/49,1	-	16
K0780.41061X	D	ball steel	M6	40	47	7,5	10	13	14,5	3	4	24,5	4	15	30	33,5	18,6/28,6/38,6/48,6	-	16
K0780.42061X	D	ball steel	M6	65	75	9,5	13,5	18	19,5	3	4	28,5	6,5	17,5	41,5	45,5	18,6/28,6/38,6/48,6/58,6	-	20
K0780.42081X	D	ball steel	M8	65	75	9,5	13,5	18	19,5	4,1	5,5	28,5	6,5	17,5	41,5	45,5	18,3/28,3/38,3/48,3/58,3	-	20
K0780.42101X	D	ball steel	M10	65	75	9,5	13,5	18	19,5	5,6	7	28,5	6,5	17,5	41,5	45,5	18,3/28,3/38,3/48,3/58,3	-	20
K0780.51051X	E	steel point	M5	40	47	7,5	10	13	14,5	3	-	24,5	4	15	30	33,5	20/30/40/50	0,5	16
K0780.51061X	E	steel point	M6	40	47	7,5	10	13	14,5	4	-	24,5	4	15	30	33,5	20/30/40/50	0,8	16
K0780.52061X	E	steel point	M6	65	75	9,5	13,5	18	19,5	4	-	28,5	6,5	17,5	41,5	45,5	20/30/40/50/60	0,8	20
K0780.52081X	E	steel point	M8	65	75	9,5	13,5	18	19,5	5,5	-	28,5	6,5	17,5	41,5	45,5	20/30/40/50/60	1	20
K0780.52101X	E	steel point	M10	65	75	9,5	13,5	18	19,5	7	-	28,5	6,5	17,5	41,5	45,5	20/30/40/50/60	1,5	20
K0780.61051X	F	half-dog point steel	M5	40	47	7,5	10	13	14,5	3	-	24,5	4	15	30	33,5	20,5/30,5/40,5/50,5	-	16
K0780.61061X	F	half-dog point steel	M6	40	47	7,5	10	13	14,5	4	-	24,5	4	15	30	33,5	20,8/30,8/40,8/50,8	-	16
K0780.62061X	F	half-dog point steel	M6	65	75	9,5	13,5	18	19,5	4	-	28,5	6,5	17,5	41,5	45,5	20,8/30,8/40,8/50,8/60,8	-	20
K0780.62081X	F	half-dog point steel	M8	65	75	9,5	13,5	18	19,5	5,5	-	28,5	6,5	17,5	41,5	45,5	20,8/30,8/40,8/50,8/60,8	-	20
K0780.62101X	F	half-dog point steel	M10	65	75	9,5	13,5	18	19,5	7	-	28,5	6,5	17,5	41,5	45,5	20,9/30,9/40,9/50,9/60,9	-	20

Clamping levers non-adjustable



Material:

Handle fibreglass reinforced plastic.
Steel parts grade 5.8.

Version:

Handle black grey, steel parts blue passivated.

Sample order:

K0175.105X20 (include length L)

Note:

Non-adjustable clamping levers can be used for simple applications. Generally, there must be enough space so that the lever can be rotated through 360°.

On request:

Special versions.



KIPP Non-adjustable clamping levers with internal thread

Order No.	Thread type	Size	X	T	D1	D2	H	H1	H3	A	A1	B
K0175.104000	internal thread	1	M4	10	13,8	14	17	11	27	40	47	8
K0175.105000	internal thread	1	M5	10	13,8	14	17	11	27	40	47	8
K0175.106000	internal thread	1	M6	10	13,8	14	17	11	27	40	47	8
K0175.208000	internal thread	2	M8	14	18,3	18,5	18	11	36,5	65	75	9
K0175.310000	internal thread	3	M10	14	21,8	22	22	14	45	80	91	11
K0175.412000	internal thread	4	M12	18	25,8	26	26	17	54	95	108	13
K0175.516000	internal thread	5	M16	18	30,8	31	31	21	63	110	126	16

KIPP Non-adjustable clamping levers with external thread

Order No.	Thread type	Size	X	D1	D2	H	H1	H3	A	A1	B	L
K0175.105X	external thread	1	M5	13,8	14	17	11	27	40	47	8	20
K0175.106X	external thread	1	M6	13,8	14	17	11	27	40	47	8	20
K0175.208X	external thread	2	M8	18,3	18,5	18	11	36,5	65	75	9	15/20/30
K0175.310X	external thread	3	M10	21,8	22	22	14	45	80	91	11	30
K0175.412X	external thread	4	M12	25,8	26	26	17	54	95	108	13	30
K0175.516X	external thread	5	M16	30,8	31	31	21	63	110	126	16	40

KIPP Non-adjustable clamping levers with reamed hole

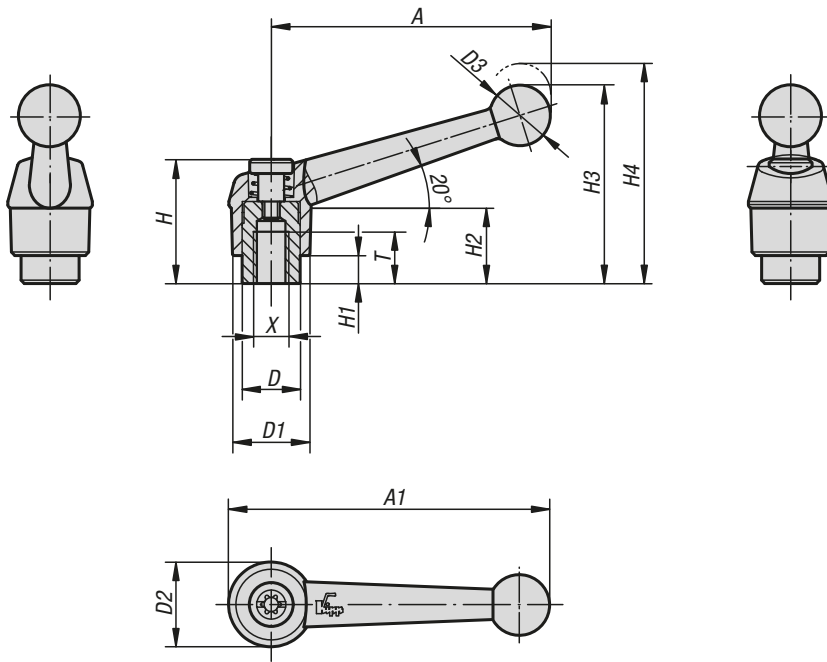
Order No.	Thread type	Size	X	T1	D1	D2	H	H1	H3	A	A1	B
K0175.106001	reamed hole	1	6	10	13,8	14	17	11	27	40	47	8
K0175.208001	reamed hole	2	8	14	18,3	18,5	18	11	36,5	65	75	9
K0175.310001	reamed hole	3	10	14	21,8	22	22	14	45	80	91	11
K0175.412001	reamed hole	4	12	18	25,8	26	26	17	54	95	108	13
K0175.516001	reamed hole	5	16	18	30,8	31	31	21	63	110	126	16

KIPP Non-adjustable clamping levers with square socket

Order No.	Thread type	Size	S	T2	D1	D2	H	H1	H3	A	A1	B
K0175.105002	square socket	1	5	13	13,8	14	17	11	27	40	47	8
K0175.206002	square socket	2	6	16	18,3	18,5	18	11	36,5	65	75	9
K0175.308002	square socket	3	8	18	21,8	22	22	14	45	80	91	11
K0175.410002	square socket	4	10	20	25,8	26	26	17	54	95	108	13
K0175.512002	square socket	5	12	26	30,8	31	31	21	63	110	126	16

Clamping levers

internal thread



Material:

Handle die-cast zinc DIN EN 12844.
Steel parts grade 5.8.

Version:

Handle powder-coated.
Steel parts black oxidised.

Sample order:

K0116.4103

Note:

Standard colours are:
black satin finish, silver metallic.

On request:

Other threads, colours and special versions.
Dimension "H1" available in other lengths at extra charge.

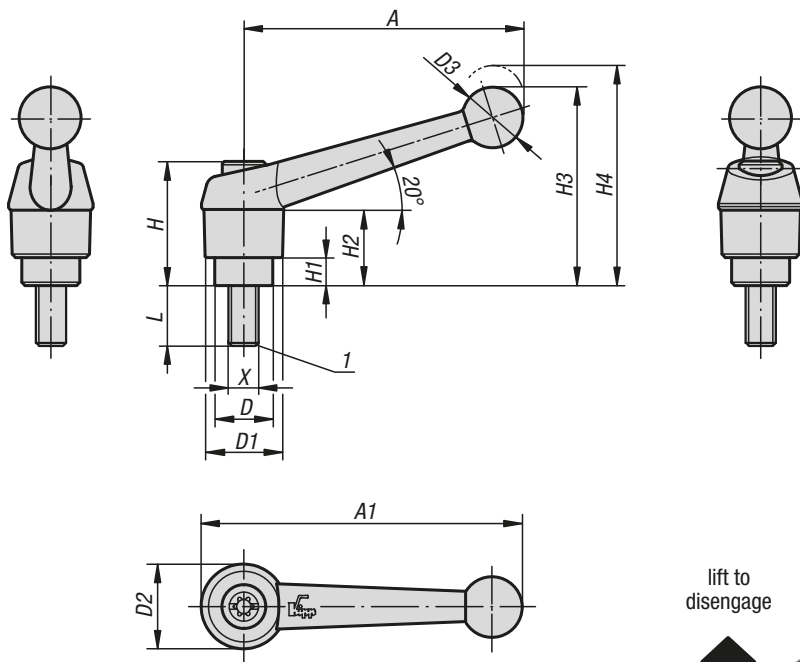


KIPP Clamping levers with internal thread

Order No. black	Order No. silver metallic	X	A	A1	T	D	D1	D2	D3	H	H1	H2	H3	H4	No. of teeth
K0116.1041	K0116.1043	M4	39	46	9	10	13	14	10,5	24,5	4	15	32,5	35,5	16
K0116.1051	K0116.1053	M5	39	46	9	10	13	14	10,5	24,5	4	15	32,5	35,5	16
K0116.1061	K0116.1063	M6	39	46	9	10	13	14	10,5	24,5	4	15	32,5	35,5	16
K0116.2061	K0116.2063	M6	64	73	12	13,5	18	18,5	15,5	28,5	6,5	16,5	45,5	49,5	20
K0116.2081	K0116.2083	M8	64	73	12	13,5	18	18,5	15,5	28,5	6,5	16,5	45,5	49,5	20
K0116.3081	K0116.3083	M8	79	90	14	16	21	22	17	37	10	23	57,5	61,5	22
K0116.3101	K0116.3103	M10	79	90	14	16	21	22	17	37	10	23	57,5	61,5	22
K0116.4101	K0116.4103	M10	95	108	17	19	25	26	19	42,5	10	26	67	72	24
K0116.4121	K0116.4123	M12	95	108	17	19	25	26	19	42,5	10	26	67	72	24
K0116.5121	K0116.5123	M12	110	126	23	23	30	31	22	49	12	32	79	84	26
K0116.5161	K0116.5163	M16	110	126	23	23	30	31	22	49	12	32	79	84	26

Clamping levers

external thread



Material:
Handle die-cast zinc DIN EN 12844.
Steel parts grade 5.8.

Version:
Handle powder-coated.
Steel black oxidised.

Sample order:
K0116.1051X20 (include length L)

Note:
Standard colours are:
black satin finish, silver metallic.

Where $L \geq 60$ mm the thread length is always 60 mm.

On request:
Other threads, screw lengths, colours and special versions.
Dimension "H1" available in other lengths at extra charge.

Drawing reference:
1) flat point DIN EN ISO 4753

KIPP Specifications

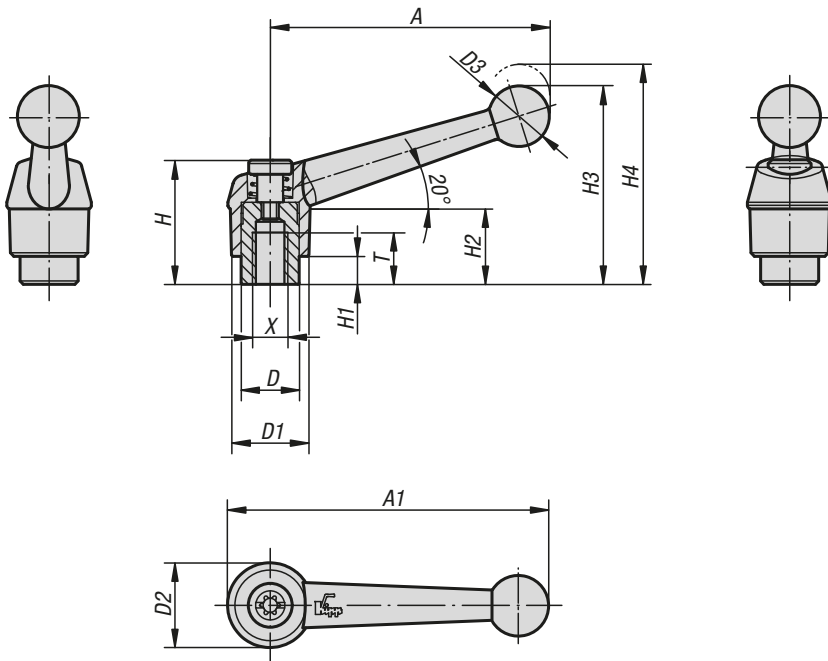
Size	X	A	A1	D	D1	D2	D3	H	H1	H2	H3	H4	No. of teeth
1	M5/M6	39	46	10	13	14	10,5	24,5	4	15	32,5	35,5	16
2	M6/M8/M10	64	73	13,5	18	18,5	15,5	28,5	6,5	16,5	45,5	49,5	20
3	M8/M10	79	90	16	21	22	17	37	10	23	57,5	61,5	22
4	M10/M12	95	108	19	25	26	19	42,5	10	26	67	72	24
5	M12/M16	110	126	23	30	31	22	49	12	32	79	84	26

KIPP Clamping levers with external thread

Order No. black	Order No. silver metallic	Size	X	L
K0116.1051X	K0116.1053X	1	M5	10/15/20/25/30/35/40/45/50
K0116.1061X	K0116.1063X	1	M6	10/15/20/25/30/35/40/45/50
K0116.2061X	K0116.2063X	2	M6	15/20/25/30/35/40/45/50/55/60
K0116.2081X	K0116.2083X	2	M8	15/20/25/30/35/40/45/50/55/60
K0116.2101X	K0116.2103X	2	M10	15/20/25/30/35/40/45/50/55/60
K0116.3081X	K0116.3083X	3	M8	15/20/25/30/35/40/45/50/55/60
K0116.3101X	K0116.3103X	3	M10	15/20/25/30/35/40/45/50/55/60
K0116.4101X	K0116.4103X	4	M10	20/25/30/35/40/45/50/55/60/70/80/90
K0116.4121X	K0116.4123X	4	M12	20/25/30/35/40/45/50/55/60/70/80/90
K0116.5121X	K0116.5123X	5	M12	25/30/35/40/45/50/55/60/70/80/90
K0116.5161X	K0116.5163X	5	M16	25/30/35/40/45/50/55/60/70/80/90

Clamping levers

internal thread, steel parts stainless steel



Material:

Handle die-cast zinc DIN EN 12844.
Steel parts stainless steel 1.4305.

Version:

Handle powder-coated.
Stainless steel parts bright.

Sample order:

K0117.2061

Note:

Standard colours are:
black satin finish, silver metallic.

On request:

Other threads, colours and special versions.
Dimension "H1" available in other lengths at extra charge.



KIPP Clamping levers with internal thread, steel parts stainless steel

Order No. black	Order No. silver metallic	X	A	A1	T	D	D1	D2	D3	H	H1	H2	H3	H4	No. of teeth
K0117.1041	K0117.1043	M4	39	46	9	10	13	14	10,5	24,5	4	15	32,5	35,5	16
K0117.1051	K0117.1053	M5	39	46	9	10	13	14	10,5	24,5	4	15	32,5	35,5	16
K0117.1061	K0117.1063	M6	39	46	9	10	13	14	10,5	24,5	4	15	32,5	35,5	16
K0117.2061	K0117.2063	M6	64	73	12	13,5	18	18,5	15,5	28,5	6,5	16,5	45,5	49,5	20
K0117.2081	K0117.2083	M8	64	73	12	13,5	18	18,5	15,5	28,5	6,5	16,5	45,5	49,5	20
K0117.3081	K0117.3083	M8	79	90	14	16	21	22	17	37	10	23	57,5	61,5	22
K0117.3101	K0117.3103	M10	79	90	14	16	21	22	17	37	10	23	57,5	61,5	22
K0117.4101	K0117.4103	M10	95	108	17	19	25	26	19	42,5	10	26	67	72	24
K0117.4121	K0117.4123	M12	95	108	17	19	25	26	19	42,5	10	26	67	72	24
K0117.5121	K0117.5123	M12	110	126	23	23	30	31	22	49	12	32	79	84	26
K0117.5161	K0117.5163	M16	110	126	23	23	30	31	22	49	12	32	79	84	26

Clamping levers

external thread, steel parts stainless steel



Material:

Handle die-cast zinc DIN EN 12844.
Steel parts stainless steel 1.4305.

Version:

Handle powder-coated.
Stainless steel bright.

Sample order:

K0117.1051X20 (include length L)

Note:

Standard colours are:
black satin finish, silver metallic.

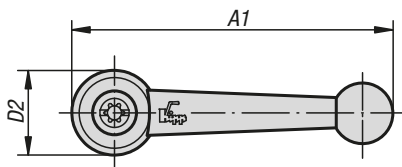
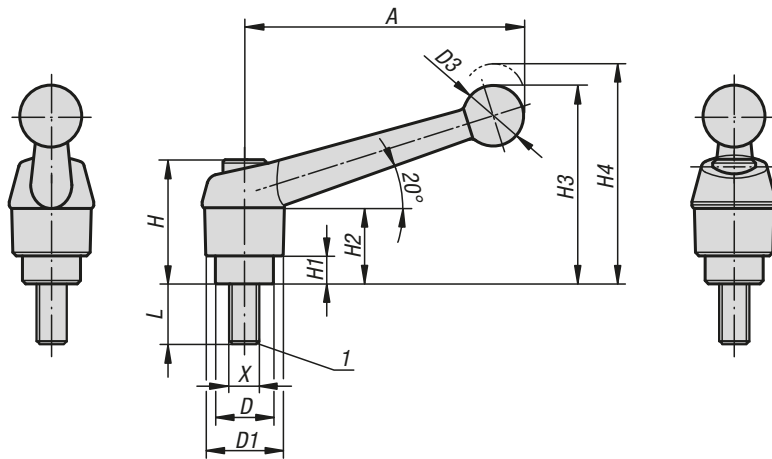
Where L ≥ 60 mm the thread length is always 60 mm.

On request:

Other external threads, screw lengths, colours and special versions.
Dimension "H1" available in other lengths at extra charge.

Drawing reference:

1) flat point DIN EN ISO 4753



lift to
disengage



KIPP Specifications

Size	X	A	A1	D	D1	D2	D3	H	H1	H2	H3	H4	No. of teeth
1	M5/M6	39	46	10	13	14	10,5	24,5	4	15	32,5	35,5	16
2	M6/M8/M10	64	73	13,5	18	18,5	15,5	28,5	6,5	16,5	45,5	49,5	20
3	M8/M10	79	90	16	21	22	17	37	10	23	57,5	61,5	22
4	M12	95	108	19	25	26	19	42,5	10	26	67	72	24
5	M16	110	126	23	30	31	22	49	12	32	79	84	26

KIPP Clamping levers with external thread, steel parts stainless steel

Order No. black	Order No. silver metallic	Size	X	L
K0117.1051X	K0117.1053X	1	M5	10/15/20/25
K0117.1061X	K0117.1063X	1	M6	10/15/20/25/30/40/50
K0117.2061X	K0117.2063X	2	M6	15/20/25/30/40/50/60
K0117.2081X	K0117.2083X	2	M8	15/20/25/30/40/50/60
K0117.2101X	K0117.2103X	2	M10	20/25/30/40/50/60
K0117.3081X	K0117.3083X	3	M8	20/25/30/40/50/60
K0117.3101X	K0117.3103X	3	M10	20/25/30/40/50/60
K0117.4121X	K0117.4123X	4	M12	25/30/40/50/60
K0117.5161X	K0117.5163X	5	M16	30/40/50/60

Clamping levers steel

internal thread



Material:

Handle steel 1.0401.
All other steel parts grade 5.8.

Version:

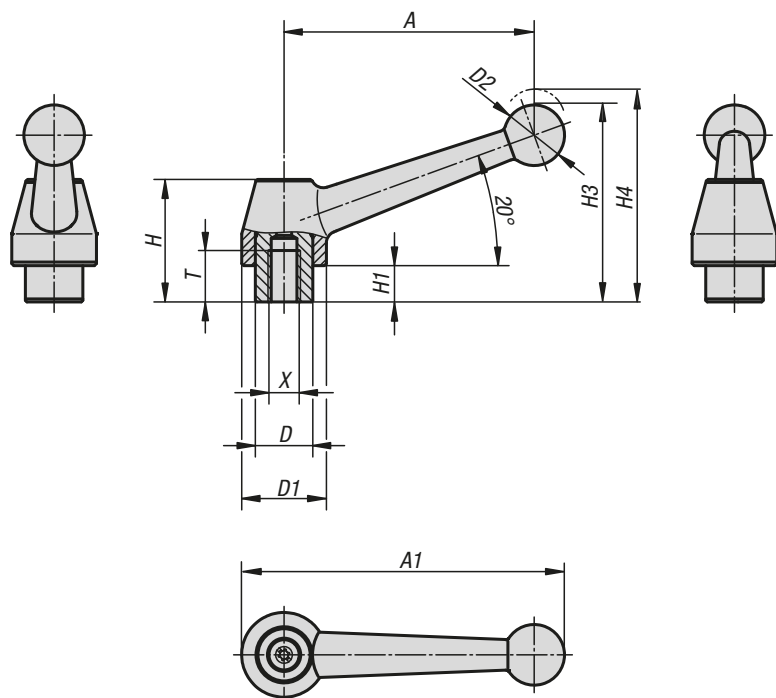
Handle painted silver-grey hammer-tone.
Steel parts black oxidised.

Sample order:

K0120.108

On request:

Other threads and special versions.
Dimension "H1" available in other lengths at extra charge.

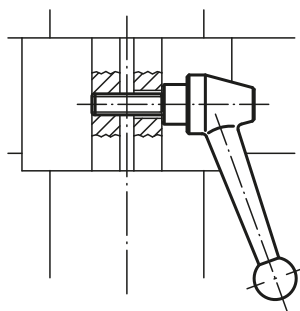
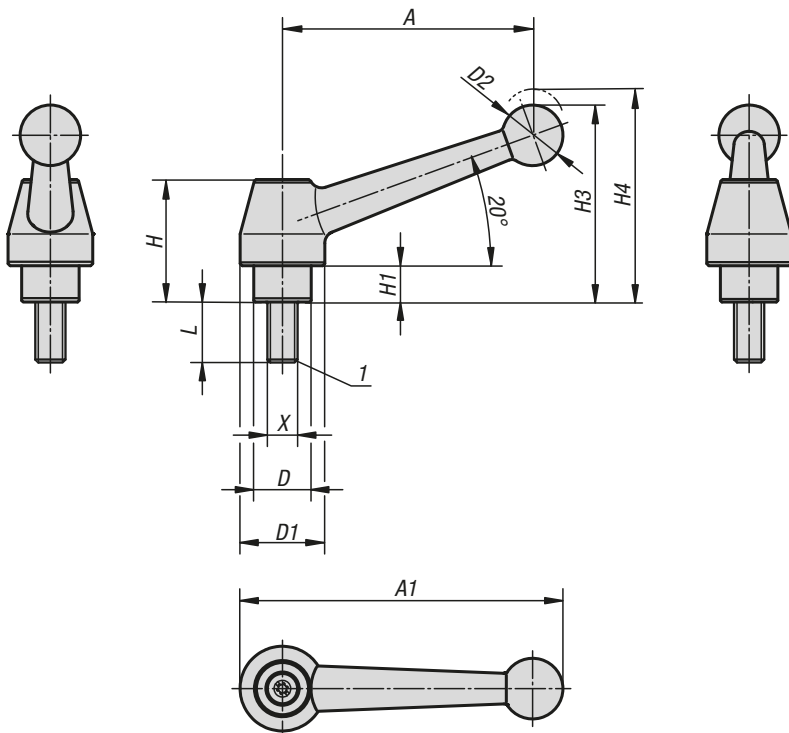


KIPP Clamping levers with internal thread

Order No.	Main material	X	A	A1	T	D	D1	D2	H	H1	H3	H4	No. of teeth
K0120.108	steel	M8	83	107	17	19	28	20	40,5	12	65	68,5	24
K0120.110	steel	M10	83	107	17	19	28	20	40,5	12	65	68,5	24
K0120.112	steel	M12	83	107	17	19	28	20	40,5	12	65	68,5	24
K0120.212	steel	M12	108	138	23	23	35	25	51,5	12	79,5	84	26
K0120.216	steel	M16	108	138	23	23	35	25	51,5	12	79,5	84	26
K0120.316	steel	M16	132	168	27	30	43	30	60	12	93	97,5	36
K0120.320	steel	M20	132	168	27	30	43	30	60	12	93	97,5	36

Clamping levers steel

external thread



Material:

Handle steel 1.0401.
All other steel parts grade 5.8.

Version:

Handle painted silver-grey hammer-tone.
Steel parts black oxidised.

Sample order:

K0120.110X30 (include length L)

Note:

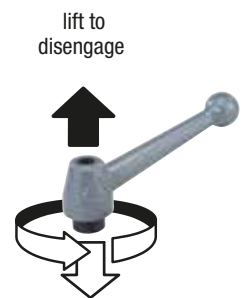
Where $L \geq 60$ mm the thread length is always 60 mm.

On request:

Other threads, screw lengths and special versions.
Dimension "H1" available in other lengths at extra charge.

Drawing reference:

1) flat point DIN EN ISO 4753



KIPP Clamping levers steel with external thread

Order No.	Main material	X	A	A1	D	D1	D2	H	H1	H3	H4	No. of teeth	L
K0120.110X	steel	M10	83	107	19	28	20	40,5	12	65	68,5	24	20/25/30/35/40/45/50/55/60/70/80/90
K0120.112X	steel	M12	83	107	19	28	20	40,5	12	65	68,5	24	20/25/30/35/40/45/50/55/60/70/80/90
K0120.212X	steel	M12	108	138	23	35	25	51,5	12	79,5	84	26	25/30/35/40/45/50/55/60/70/80/90
K0120.216X	steel	M16	108	138	23	35	25	51,5	12	79,5	84	26	25/30/35/40/45/50/55/60/70/80/90
K0120.316X	steel	M16	132	168	30	43	30	60	12	93	97,5	36	30/40/50/60/70/80/90
K0120.320X	steel	M20	132	168	30	43	30	60	12	93	97,5	36	30/40/50/60/70/80/90

Clamping levers stainless steel

internal thread



Material:

Handle stainless steel 1.4308.
All other metal parts stainless steel 1.4305.

Version:

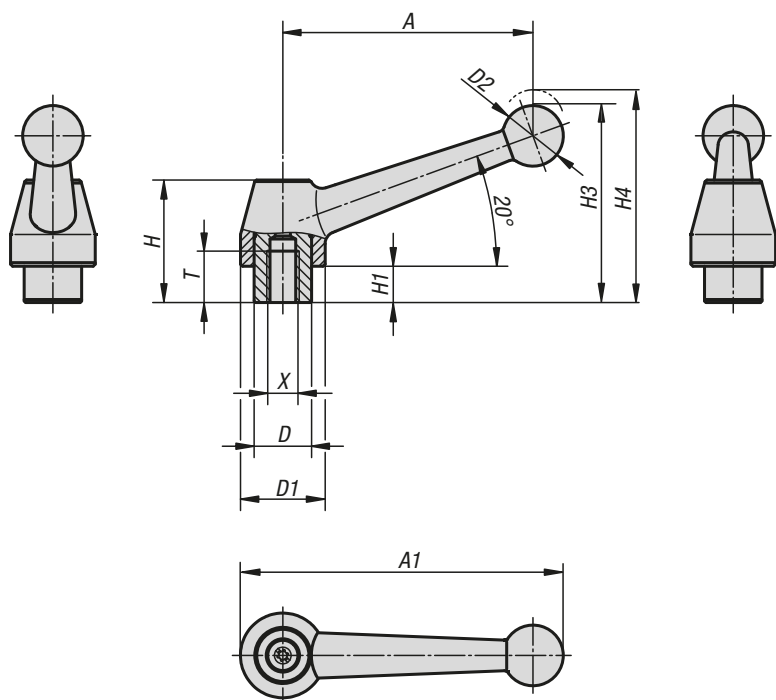
Stainless steel grip electropolished.
Steel parts bright.

Sample order:

K0121.1108

On request:

Other threads and special versions.
Dimension "H1" available in other lengths at extra charge.

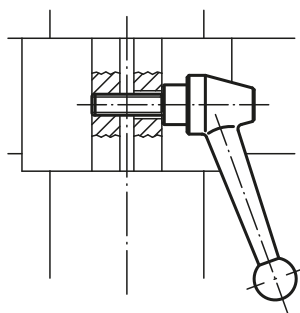
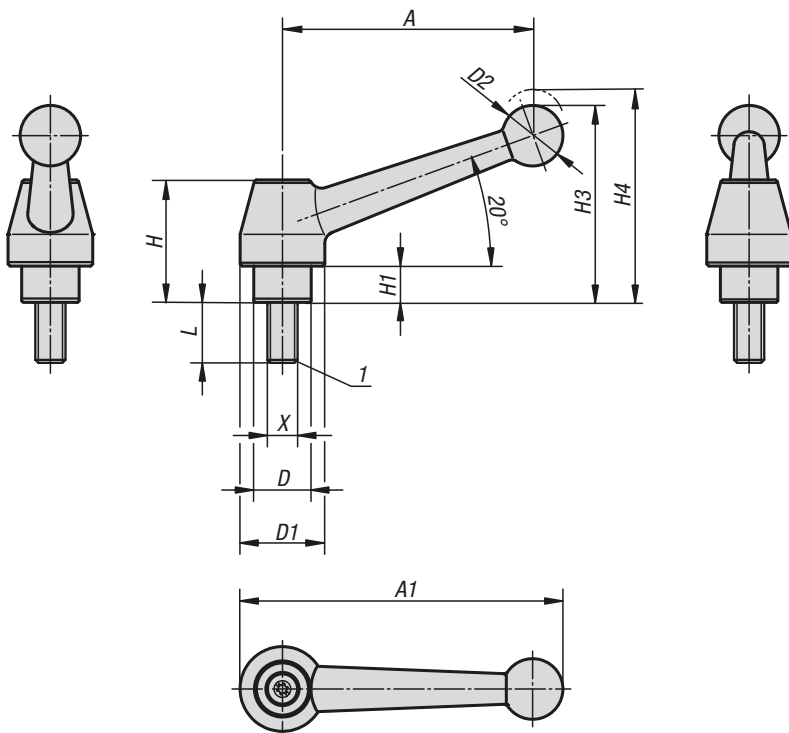


KIPP Clamping levers with internal thread, stainless steel

Order No.	Main material	X	A	A1	T	D	D1	D2	H	H1	H3	H4	No. of teeth
K0121.1108	stainless steel	M8	83	107	17	19	28	20	40,5	12	65	68,5	24
K0121.1110	stainless steel	M10	83	107	17	19	28	20	40,5	12	65	68,5	24
K0121.1112	stainless steel	M12	83	107	17	19	28	20	40,5	12	65	68,5	24

Clamping levers stainless steel

external thread



Material:

Handle stainless steel 1.4308.
All other metal parts stainless steel 1.4305.

Version:

Stainless steel grip electropolished.
Steel parts bright.

Sample order:

K0121.1110X30 (include length L)

Note:

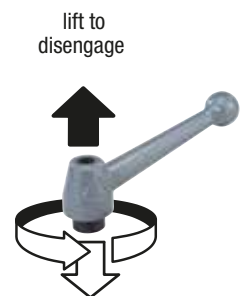
Where $L \geq 60$ mm the thread length is always 60 mm.

On request:

Other threads, screw lengths and special versions.
Dimension "H1" available in other lengths at extra charge.

Drawing reference:

1) flat point DIN EN ISO 4753

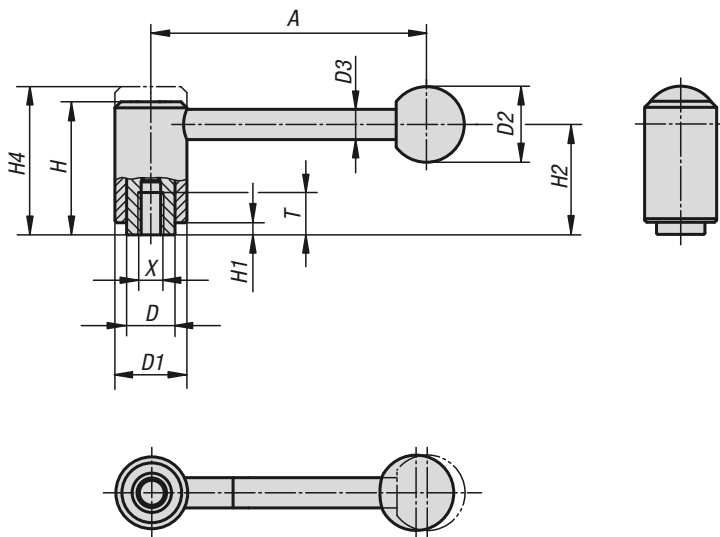
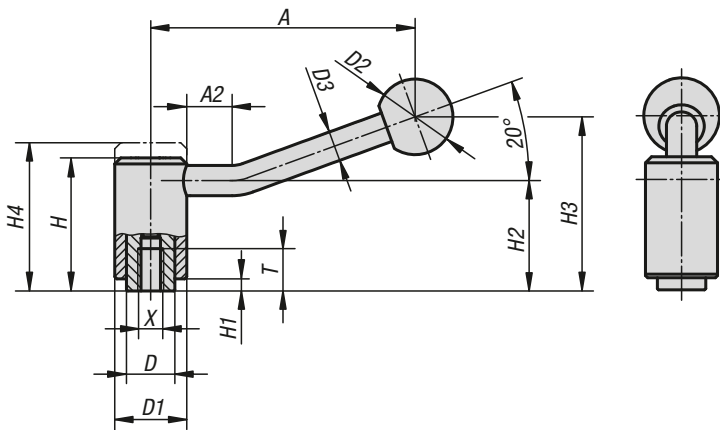


KIPP Clamping levers with external thread, stainless steel

Order No.	Main material	X	A	A1	D	D1	D2	H	H1	H3	H4	No. of teeth	L
K0121.1110X	stainless steel	M10	83	107	19	28	20	40,5	12	65	68,5	24	25/30/40/50/60
K0121.1112X	stainless steel	M12	83	107	19	28	20	40,5	12	65	68,5	24	25/30/40/50/60

Tension levers

internal thread



Material:

Steel parts grade 5.8.
Ball knob black plastic.

Version:

Powder-coated with fine texture, black.

Sample order:

K0108.1082

On request:

Other threads and special versions.
Dimensions "H1" and "A" available in other lengths at extra charge.

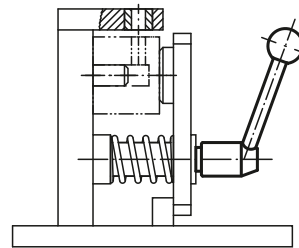
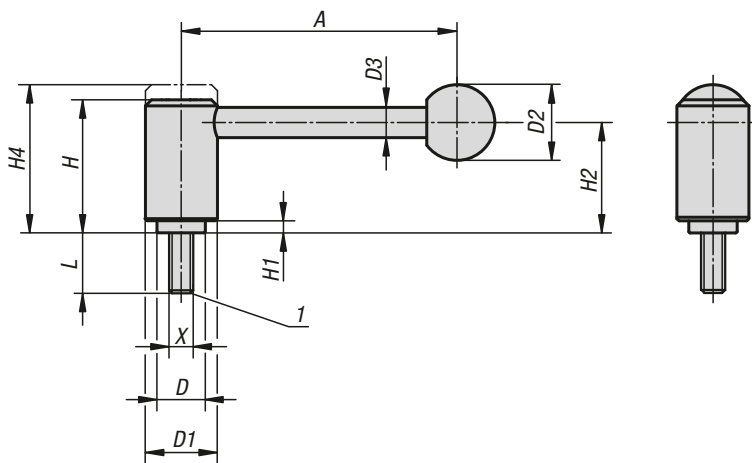
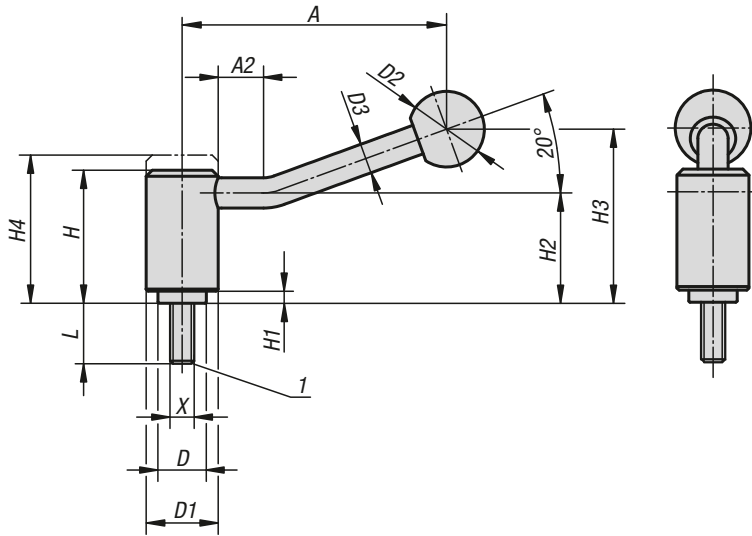


KIPP Tension levers with internal thread

Order No. 0°	Order No. 20°	X	T	A=Handle length	A2	D	D1	D2	D3	H	H1	H2	H3	H4	No. of teeth
K0108.1082	K0108.1081	M8	14	92/88	-/15	16	24	25	10	44,5	4,5	37	-/58,5	49,5	22
K0108.1102	K0108.1101	M10	14	92/88	-/15	16	24	25	10	44,5	4,5	37	-/58,5	49,5	22
K0108.2102	K0108.2101	M10	17	111/106	-/15	19	28	32	12	51,5	5,5	42	-/68,5	57,5	24
K0108.2122	K0108.2121	M12	17	111/106	-/15	19	28	32	12	51,5	5,5	42	-/68,5	57,5	24
K0108.3122	K0108.3121	M12	23	134,5/128,5	-/15	23	33	32	13	58	6	47	-/81	65	26
K0108.3162	K0108.3161	M16	23	134,5/128,5	-/15	23	33	32	13	58	6	47	-/81	65	26
K0108.4162	K0108.4161	M16	27	134/128,5	-/15	30	41	32	13	68,5	7,5	56,5	-/89,5	76,5	36
K0108.4202	K0108.4201	M20	27	134/128,5	-/15	30	41	32	13	68,5	7,5	56,5	-/89,5	76,5	36
K0108.4242	K0108.4241	M24	27	134/128,5	-/15	30	41	32	13	68,5	7,5	56,5	-/89,5	76,5	36

Tension levers

external thread



Material:
Steel parts grade 5.8.
Ball knob black plastic.

Version:
Powder-coated with fine texture, black.

Sample order:
K0108.1082X30 (include length L)

On request:
Other threads, screw lengths and special versions.
Dimensions "H1" and "A" available in other lengths at extra charge.

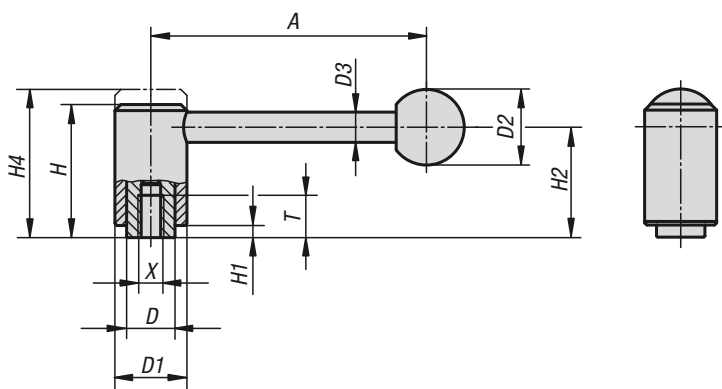
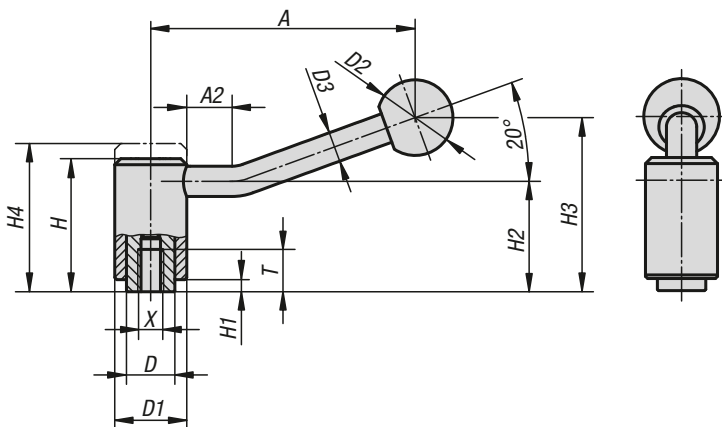
Drawing reference:
1) flat point DIN EN ISO 4753

KIPP Tension levers with external thread

Order No. 0°	Order No. 20°	X	A=Handle length	A2	D	D1	D2	D3	H	H1	H2	H3	H4	L	No. of teeth
K0108.1082X	K0108.1081X	M8	92/88	-15	16	24	25	10	44,5	4,5	37	-58,5	49,5	15/20/25/30/40/50/60	22
K0108.1102X	K0108.1101X	M10	92/88	-15	16	24	25	10	44,5	4,5	37	-58,5	49,5	15/20/25/30/40/50/60	22
K0108.1122X	K0108.1121X	M12	92/88	-15	16	24	25	10	44,5	4,5	37	-58,5	49,5	15/20/25/30/40/50/60	22
K0108.2122X	K0108.2121X	M12	111/106	-15	19	28	32	12	51,5	5,5	42	-68,5	57,5	20/25/30/40/50/60	24
K0108.3122X	K0108.3121X	M12	134,5/128,5	-15	23	33	32	13	58	6	47	-81	65	20/25/30/40/50/60/70/80/90	26
K0108.3162X	K0108.3161X	M16	134,5/128,5	-15	23	33	32	13	58	6	47	-81	65	20/25/30/40/50/60/70/80/90	26
K0108.4162X	K0108.4161X	M16	134/128,5	-15	30	41	32	13	68,5	7,5	56,5	-89,5	76,5	30/40/50/60/70/80/90	36
K0108.4202X	K0108.4201X	M20	134/128,5	-15	30	41	32	13	68,5	7,5	56,5	-89,5	76,5	30/40/50/60/70/80/90	36
K0108.4242X	K0108.4241X	M24	134/128,5	-15	30	41	32	13	68,5	7,5	56,5	-89,5	76,5	30/40/50/60/70/80/90	36

Tension levers

internal thread, stainless steel



Material:

Steel parts stainless steel 1.4305.
Ball knob black plastic.

Version:

Stainless steel parts bright.
Ball knob polished.

Sample order:

K0109.1082

On request:

Other threads and special versions.
Dimensions "H1" and "A" available in other lengths at extra charge.

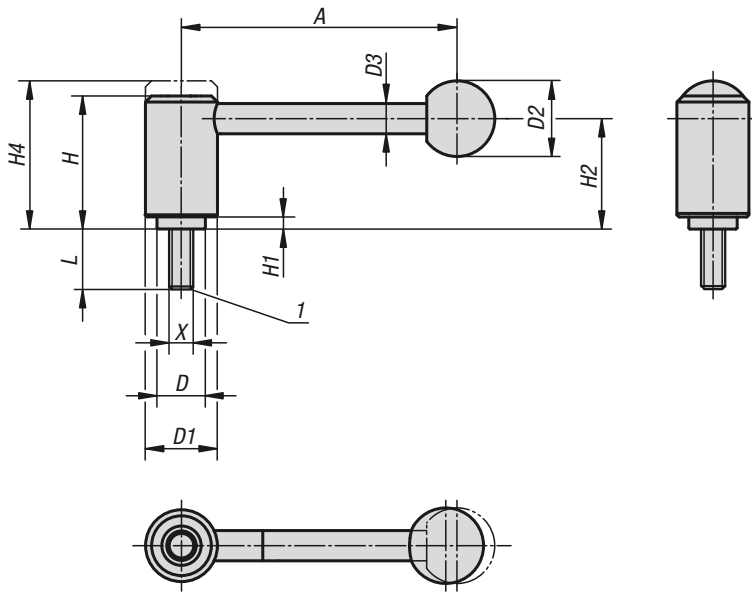
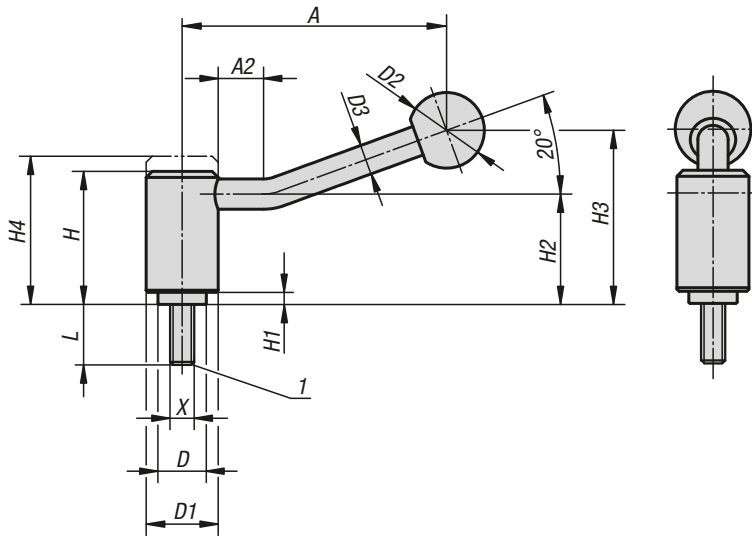


KIPP Tension levers, internal thread, stainless steel

Order No. 0°	Order No. 20°	X	T	A=Handle length	A2	D	D1	D2	D3	H	H1	H2	H3	H4	No. of teeth
K0109.1082	K0109.1081	M8	14	92/88	-15	16	24	25	10	44,5	4,5	37	-/58,5	49,5	22
K0109.1102	K0109.1101	M10	14	92/88	-15	16	24	25	10	44,5	4,5	37	-/58,5	49,5	22
K0109.2102	K0109.2101	M10	17	111/106	-15	19	28	32	12	51,5	5,5	42	-/68,5	57,5	24
K0109.2122	K0109.2121	M12	17	111/106	-15	19	28	32	12	51,5	5,5	42	-/68,5	57,5	24
K0109.3122	K0109.3121	M12	23	134,5/128,5	-15	23	33	32	13	58	6	47	-/81	65	26
K0109.3162	K0109.3161	M16	23	134,5/128,5	-15	23	33	32	13	58	6	47	-/81	65	26
K0109.4162	K0109.4161	M16	27	134/128,5	-15	30	41	32	13	68,5	7,5	56,5	-/89,5	76,5	36
K0109.4202	K0109.4201	M20	27	134/128,5	-15	30	41	32	13	68,5	7,5	56,5	-/89,5	76,5	36

Tension levers

external thread, stainless steel



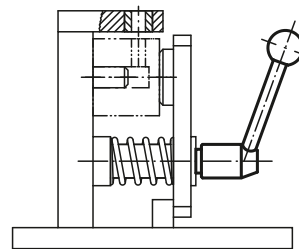
Material:
Steel parts stainless steel 1.4305.
Ball knob black plastic.

Version:
Stainless steel parts bright.
Ball knob polished.

Sample order:
K0109.1082X30 (include length L)

On request:
Other threads, screw lengths and special versions.
Dimensions "H1" and "A" available in other lengths at extra charge.

Drawing reference:
1) flat point DIN EN ISO 4753



KIPP Tension levers, external thread, stainless steel

Order No. 0°	Order No. 20°	X	A=Handle length	A2	D	D1	D2	D3	H	H1	H2	H3	H4	L	No. of teeth
K0109.1082X	K0109.1081X	M8	92/88	-/15	16	24	25	10	44,5	4,5	37	-/58,5	49,5	15/20/25/30/40/50/60	22
K0109.1102X	K0109.1101X	M10	92/88	-/15	16	24	25	10	44,5	4,5	37	-/58,5	49,5	15/20/25/30/40/50/60	22
K0109.1122X	K0109.1121X	M12	92/88	-/15	16	24	25	10	44,5	4,5	37	-/58,5	49,5	15/20/25/30/40/50/60	22
K0109.2122X	K0109.2121X	M12	111/106	-/15	19	28	32	12	51,5	5,5	42	-/68,5	57,5	20/25/30/40/50/60	24
K0109.3122X	K0109.3121X	M12	134,5/128,5	-/15	23	33	32	13	58	6	47	-/81	65	20/25/30/40/50/60/70/80/90	26
K0109.3162X	K0109.3161X	M16	134,5/128,5	-/15	23	33	32	13	58	6	47	-/81	65	20/25/30/40/50/60/70/80/90	26
K0109.4162X	K0109.4161X	M16	134/128,5	-/15	30	41	32	13	68,5	7,5	56,5	-/89,5	76,5	30/40/50/60/70/80/90	36
K0109.4202X	K0109.4201X	M20	134/128,5	-/15	30	41	32	13	68,5	7,5	56,5	-/89,5	76,5	30/40/50/60/70/80/90	36

Tension levers safety

internal thread



Material:

Steel parts grade 5.8.
Ball knob black plastic.

Version:

Powder-coated with fine texture, black.

Sample order:

K0112.1108

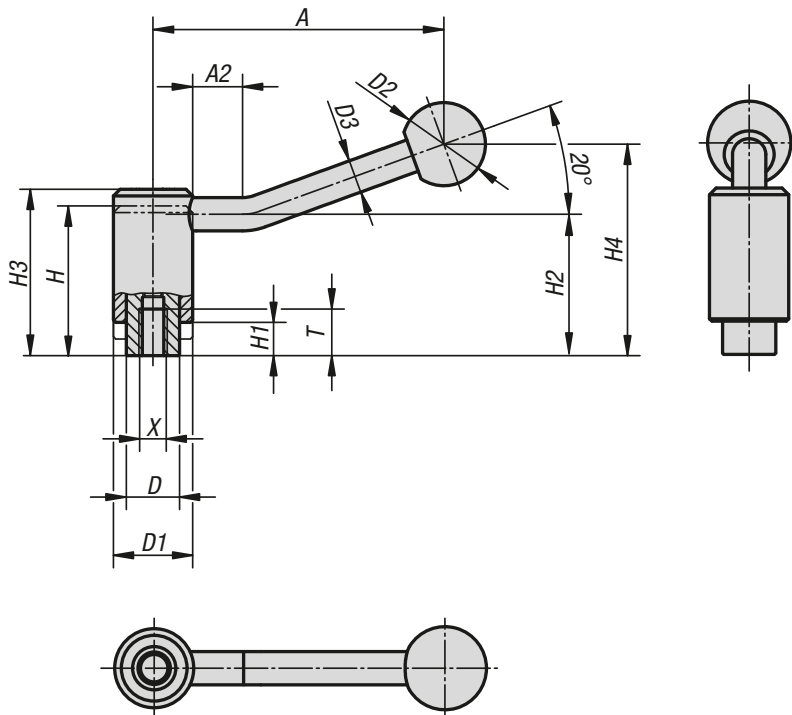
Method of operation:

Press the handle down until the teeth are fully engaged. The object can now be clamped or released. Spring pressure pushes the handle up disengaging the teeth and thereby restoring the safety function (handle can be rotated without engaging).

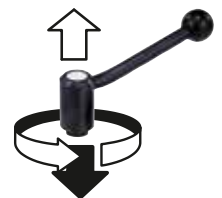
On request:

Special versions.

Dimensions "H1" and "A" available in other lengths at extra charge.



press to engage
(safety function)

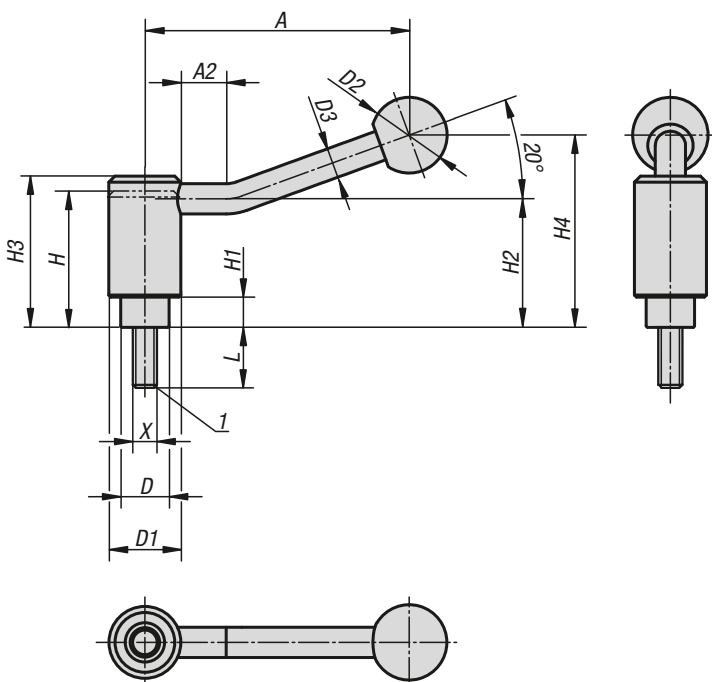


KIPP Tension levers, safety, with internal thread

Order No.	X	T	A=Handle length	A2	D	D1	D2	D3	H	H1	H2	H3	H4	No. of teeth
K0112.1108	M8	14	88	15	16	24	25	10	44,5	9,5	49,3	49,5	63,5	22
K0112.1110	M10	14	88	15	16	24	25	10	44,5	9,5	49,3	49,5	63,5	22
K0112.1210	M10	17	106	15	19	28	32	12	51	10,5	56,3	56,5	74	24
K0112.1212	M12	17	106	15	19	28	32	12	51	10,5	56,3	56,5	74	24
K0112.1312	M12	23	128,5	15	23	33	32	13	57,5	12,5	64,5	64,5	87,5	26
K0112.1316	M16	23	128,5	15	23	33	32	13	57,5	12,5	64,5	64,5	87,5	26

Tension levers safety

external thread



Material:

Steel parts grade 5.8.
Ball knob black plastic.

Version:

Powder-coated with fine texture, black.

Sample order:

K0112.1108X30 (include length L)

Method of operation:

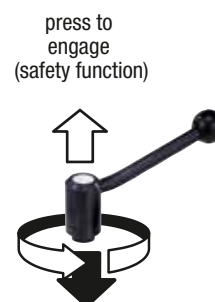
Press the handle down until the teeth are fully engaged. The object can now be clamped or released. Spring pressure pushes the handle up disengaging the teeth and thereby restoring the safety function (handle can be rotated without engaging).

On request:

Other threads, screw lengths and special versions.
Dimensions "H1" and "A" available in other lengths at extra charge.

Drawing reference:

1) flat point DIN EN ISO 4753



KIPP Tension levers, safety, with external thread

Order No.	X	A=Handle length	A2	D	D1	D2	D3	H	H1	H2	H3	H4	No. of teeth	L
K0112.1108X	M8	88	15	16	24	25	10	44,5	9,5	49,3	49,5	63,5	22	20/25/30/40/50/60
K0112.1110X	M10	88	15	16	24	25	10	44,5	9,5	49,3	49,5	63,5	22	20/25/30/40/50/60
K0112.1112X	M12	88	15	16	24	25	10	44,5	9,5	49,3	49,5	63,5	22	20/25/30/40/50/60
K0112.1212X	M12	106	15	19	28	32	12	51	10,5	56,3	56,5	74	24	20/25/30/40/50/60
K0112.1312X	M12	128,5	15	23	33	32	13	57,5	12,5	64,5	64,5	87,5	26	25/30/40/50/60
K0112.1316X	M16	128,5	15	23	33	32	13	57,5	12,5	64,5	64,5	87,5	26	25/30/40/50/60

Tension levers flat

internal thread

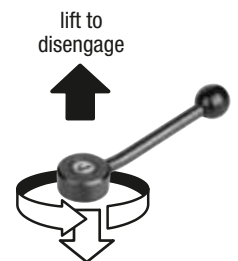
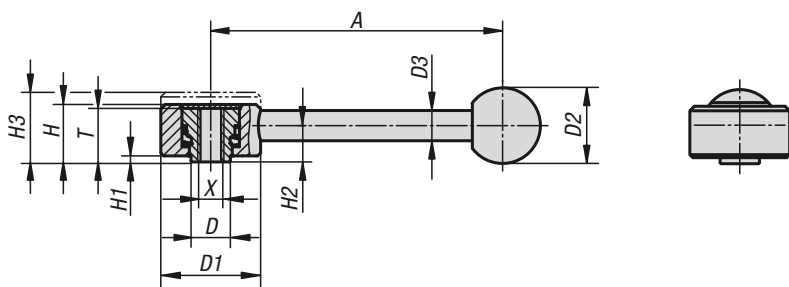
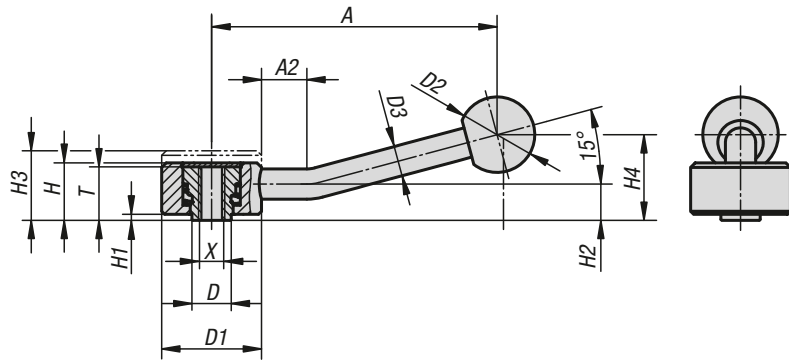


Material:
Steel parts grade 5.8.
Ball knob black plastic.

Version:
Black oxidised.

Sample order:
K0114.1061

On request:
Other threads and special versions.
Dimensions "H1" and "A" available in other lengths at extra charge.



KIPP Tension levers, flat, with internal thread

Order No. 0°	Order No. 15°	X	T	A=Handle length	A2	D	D1	D2	D3	H	H1	H2	H3	H4	No. of teeth
K0114.1061	K0114.1062	M6	18	102/100	-/15	13,5	33	25	10	19	2	12	23	-/29	26
K0114.1081	K0114.1082	M8	18	102/100	-/15	13,5	33	25	10	19	2	12	23	-/29	26
K0114.2101	K0114.2102	M10	21	131/127	-/15	19	41	30	12	22	2	13,5	26	-/38	30
K0114.2121	K0114.2122	M12	21	131/127	-/15	19	41	30	12	22	2	13,5	26	-/38	30
K0114.3121	K0114.3122	M12	27	148/145	-/15	23	45	37	14	28	2	17	33	-/48	36
K0114.3161	K0114.3162	M16	27	148/145	-/15	23	45	37	14	28	2	17	33	-/48	36

Tension levers flat

external thread



Material:

Steel parts grade 5.8.
Ball knob black plastic.

Version:

Black oxidised.

Sample order:

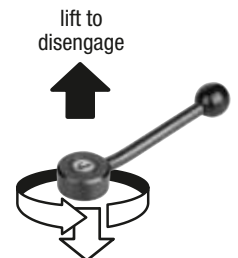
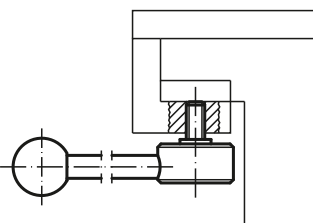
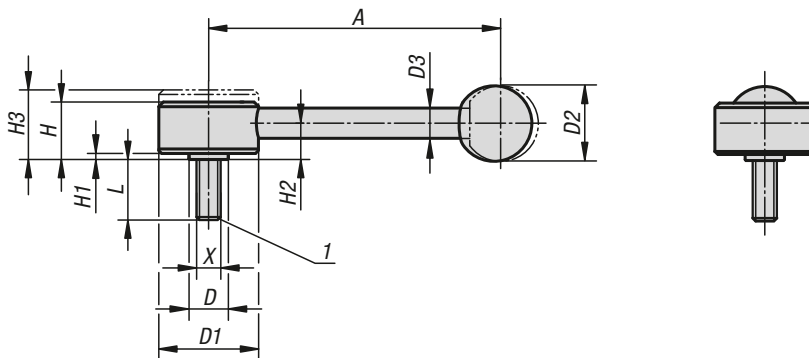
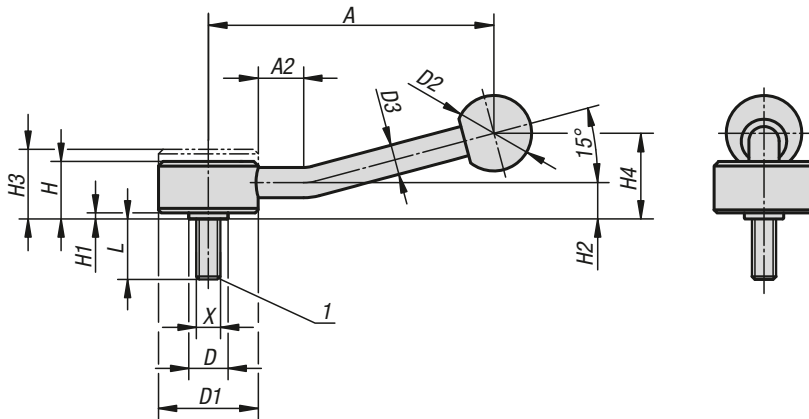
K0114.1081X30 (include length L)

On request:

Other threads, screw lengths and special versions.
Dimensions "H1" and "A" available in other lengths at extra charge.

Drawing reference:

1) flat point DIN EN ISO 4753



KIPP Tension levers, flat, external thread

Order No. 0°	Order No. 15°	X	A=Handle length	A2	D	D1	D2	D3	H	H1	H2	H3	H4	L	No. of teeth
K0114.1081X	K0114.1082X	M8	102/100	-15	13,5	33	25	10	19	2	12	23	-29	15/20/25/30/40/50/60	20
K0114.1101X	K0114.1102X	M10	102/100	-15	13,5	33	25	10	19	2	12	23	-29	15/20/25/30/40/50/60	20
K0114.2101X	K0114.2102X	M10	131/127	-15	19	41	30	12	22	2	13,5	26	-38	20/25/30/40/50/60	24
K0114.2121X	K0114.2122X	M12	131/127	-15	19	41	30	12	22	2	13,5	26	-38	20/25/30/40/50/60	24
K0114.3121X	K0114.3122X	M12	148/145	-15	23	45	37	14	28	2	17	33	-48	20/25/30/40/50/60	26
K0114.3161X	K0114.3162X	M16	148/145	-15	23	45	37	14	28	2	17	33	-48	20/25/30/40/50/60	26

Tension levers flat

internal thread, stainless steel

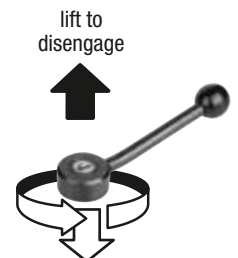
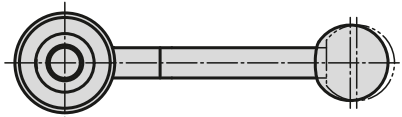
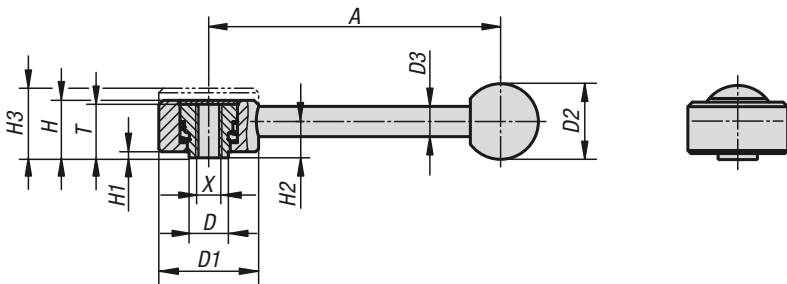
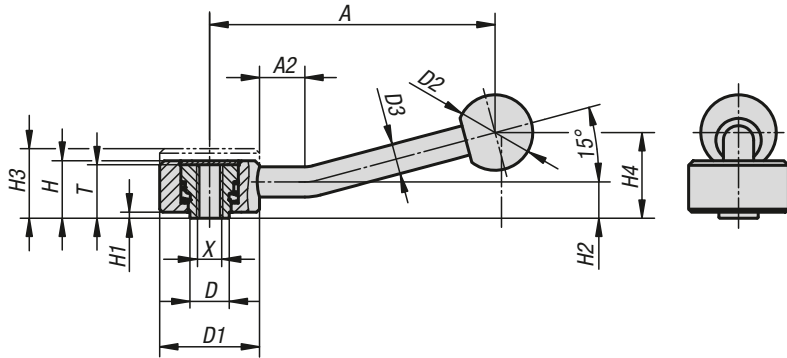


Material:
Steel parts stainless steel 1.4305.
Ball knob black plastic.

Version:
Steel parts bright.

Sample order:
K0129.1081

On request:
Other threads and special versions.
Dimensions "H1" and "A" available in other lengths at extra charge.



KIPP Tension levers, flat, internal thread, stainless steel

Order No. 0°	Order No. 15°	X	A=Handle length	A2	D	D1	D2	D3	H	H1	H2	H3	H4	No. of teeth	T
K0129.1081	K0129.1082	M8	102/100	-/15	13,5	33	25	10	19	2	12	23	-/29	26	18
K0129.2101	K0129.2102	M10	131/127	-/15	19	41	30	12	22	2	13,5	26	-/38	30	21
K0129.2121	K0129.2122	M12	131/127	-/15	19	41	30	12	22	2	13,5	26	-/38	30	21
K0129.3161	K0129.3162	M16	148/145	-/15	23	45	37	14	28	2	17	33	-/48	36	27

Tension levers flat

external thread, stainless steel



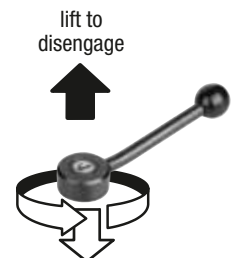
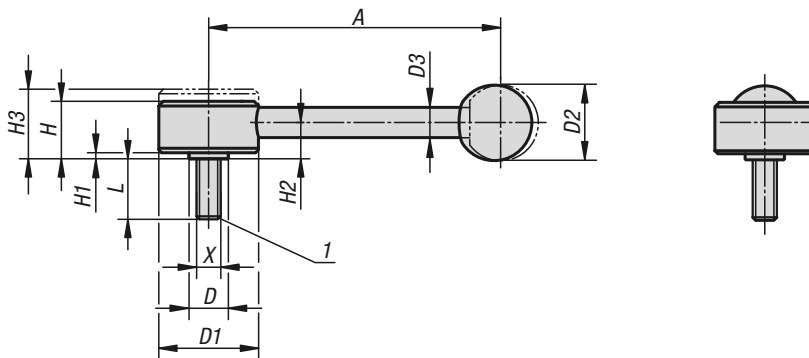
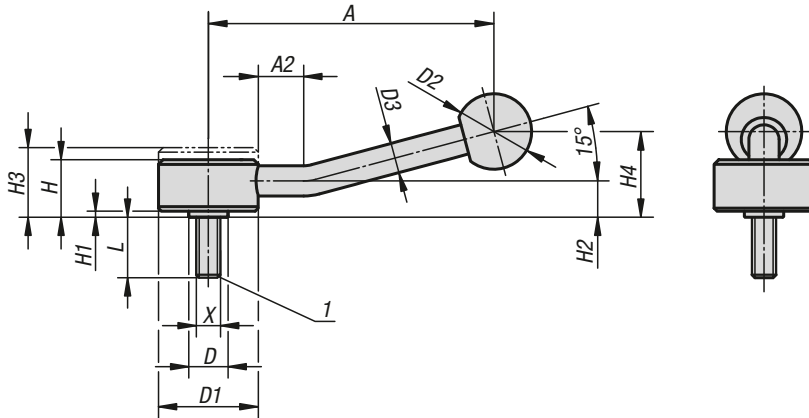
Material:
Steel parts stainless steel 1.4305.
Ball knob black plastic.

Version:
Steel parts bright.

Sample order:
K0129.1081X40 (include length L)

On request:
Other threads, screw lengths and special versions.
Dimensions "H1" and "A" available in other lengths at extra charge.

Drawing reference:
1) flat point DIN EN ISO 4753



KIPP Tension levers flat, external thread, stainless steel

Order No. 0°	Order No. 15°	X	A=Handle length	A2	D	D1	D2	D3	H	H1	H2	H3	H4	L	No. of teeth
K0129.1081X	K0129.1082X	M8	102/100	-/15	13,5	33	25	10	19	2	12	23	-/29	30/40/50	26
K0129.2101X	K0129.2102X	M10	131/127	-/15	19	41	30	12	22	2	13,5	26	-/38	30/40/50/60	30
K0129.2121X	K0129.2122X	M12	131/127	-/15	19	41	30	12	22	2	13,5	26	-/38	30/40/50/60	30
K0129.3161X	K0129.3162X	M16	148/145	-/15	23	45	37	14	28	2	17	33	-/48	40/50/60	36

Levers

DIN 99



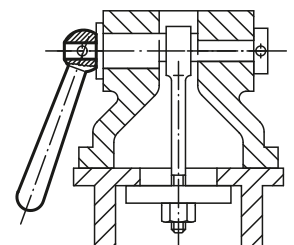
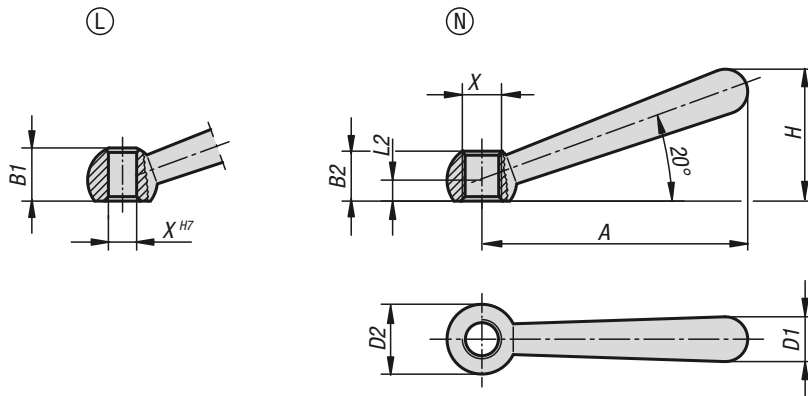
Material:
Steel.

Version:
Polished.

Sample order:
K0174.212

Note:
To fix the lever to another element, gluing is often more cost-effective than pinning.

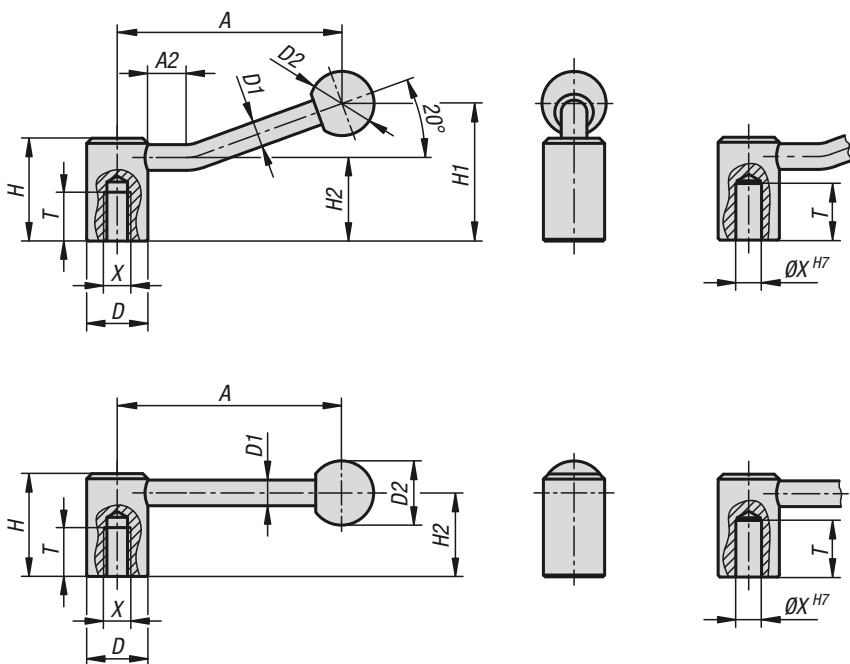
Drawing reference:
Form L: with hole
Form N: with internal thread



KIPP Levers DIN 99

Order No. Form L	Order No. Form N	X	A=Handle length	B1	B2	D1	D2 ball	H	L2
K0174.106	K0174.206	6/M6	48	9,5/-	-/9,5	8	12	24	4
K0174.108	K0174.208	8/M8	60	12/-	-/12	10	16	30,5	5
K0174.110	K0174.210	10/M10	76	14,5/-	-/14,5	13	20	38	6
K0174.112	K0174.212	12/M12	95	18,5/-	-/18,5	16	25	47	7,5
K0174.116	K0174.216	16/M16	119	24/-	-/24	20	32	59,5	10
K0174.120	K0174.220	20/M20	152	30/-	-/30	25	40	75,5	12,5

Tension levers



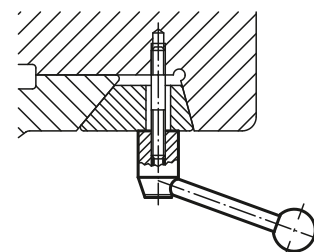
Material:
Steel parts grade 5.8.
Ball knob black plastic.

Version:
Black oxidised.

Sample order:
K0176.208

Note:
Tension levers can be used for simple clamping or control operations.
Where applicable, there must be enough space available so that the grip can be rotated 360°.

On request:
Other internal threads, reamed holes and special versions.
Dimension "A" available in other lengths at extra charge.



KIPP Tension levers

Order No. 0°	Order No. 20°	Kind of fastening	X	T	A=Handle length	A2	D	D1	D2	H	H1	H2
K0176.2082	K0176.208	internal thread	M8	18	88,1/84,5	-15	24	10	25	40	-/52,5	32,5
K0176.2102	K0176.210	internal thread	M10	18	88,1/84,5	-15	24	10	25	40	-/52,5	32,5
K0176.21012	K0176.2101	internal thread	M10	20	104/100	-15	28	12	32	46	-/61	36,5
K0176.2122	K0176.212	internal thread	M12	20	104/100	-15	28	12	32	46	-/61	36,5
K0176.2162	K0176.216	internal thread	M16	23	126,5/121	-15	33	13	32	52	-/72	41
K0176.2202	K0176.220	internal thread	M20	26	128,5/123	-15	41	13	32	61	-/80	49
K0176.1102	K0176.110	reamed hole	10	22	88,1/84,5	-15	24	10	25	40	-/52,5	32,5
K0176.1122	K0176.112	reamed hole	12	25	104/100	-15	28	12	32	46	-/61	36,5
K0176.1142	K0176.114	reamed hole	14	25	104/100	-15	28	12	32	46	-/61	36,5
K0176.1162	K0176.116	reamed hole	16	28	126,5/121	-15	33	13	32	52	-/72	41
K0176.1202	K0176.120	reamed hole	20	32	128,5/123	-15	41	13	32	61	-/80	49

Tension levers stainless steel



Material:

Steel parts stainless steel 1.4305.
Ball knob black plastic.

Version:

Stainless steel parts bright.
Ball knob polished.

Sample order:

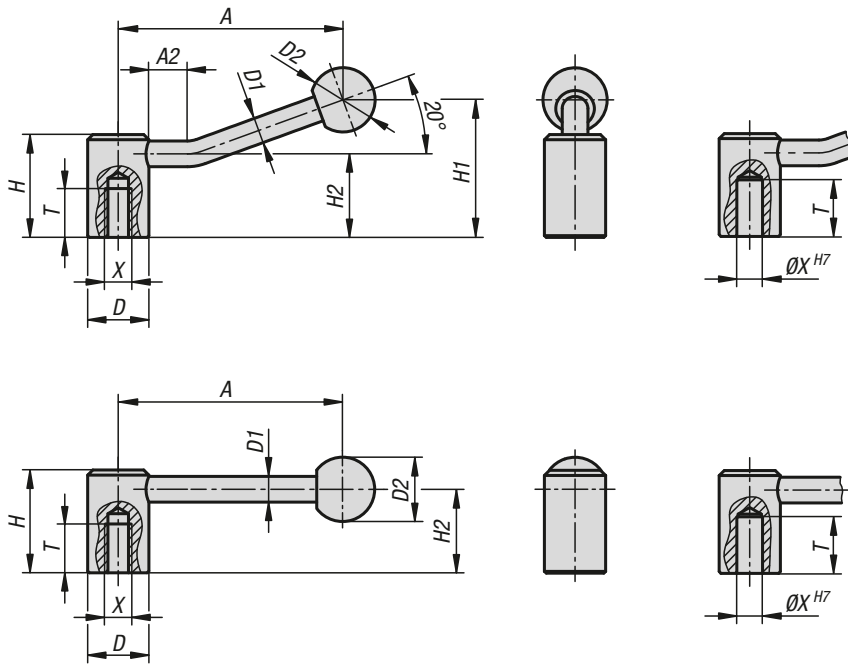
K1444.2082

Note:

Tension levers can be used for simple clamping or control operations.
Where applicable, there must be enough space available so that the grip can be rotated 360°.

On request:

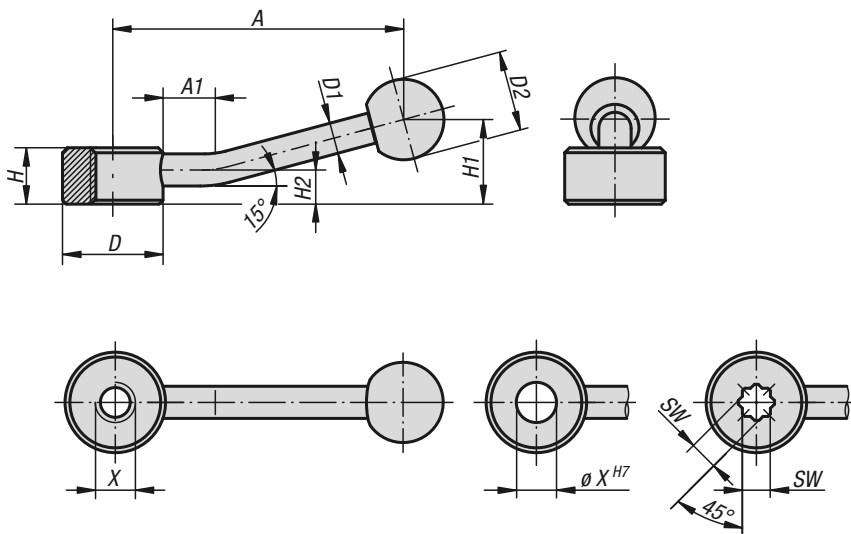
Other internal threads, reamed holes and special versions.
Dimension "A" available in other lengths at extra charge.



KIPP Tension levers stainless steel

Order No. 0°	Order No. 20°	Thread type	X	A	A2	D	D1	D2	H	H1	H2	T
K1444.2082	K1444.208	internal thread	M8	88,1/84,5	-/15	24	10	25	40	-/52,5	32,5	18
K1444.2102	K1444.210	internal thread	M10	88,1/84,5	-/15	24	10	25	40	-/52,5	32,5	18
K1444.21012	K1444.2101	internal thread	M10	104/100	-/15	28	12	32	46	-/61	36,5	20
K1444.2122	K1444.212	internal thread	M12	104/100	-/15	28	12	32	46	-/61	36,5	20
K1444.2162	K1444.216	internal thread	M16	126,5/121	-/15	33	13	32	52	-/72	41	23
K1444.2202	K1444.220	internal thread	M20	128,5/123	-/15	41	13	32	61	-/80	49	26
K1444.1102	K1444.110	reamed hole	10	88,1/84,5	-/15	24	10	25	40	-/52,5	32,5	22
K1444.1122	K1444.112	reamed hole	12	104/100	-/15	28	12	32	46	-/61	36,5	25
K1444.1142	K1444.114	reamed hole	14	104/100	-/15	28	12	32	46	-/61	36,5	25
K1444.1162	K1444.116	reamed hole	16	126,5/121	-/15	33	13	32	52	-/72	41	28
K1444.1202	K1444.120	reamed hole	20	128,5/123	-/15	41	13	32	61	-/80	49	32

Tension levers flat



Material:

Steel parts grade 5.8.
Ball knob black thermoset PF 31

Version:

Black oxidised.

Sample order:

K0177.206

Note:

Flat tension levers can be used for simple clamping or control operations. Where applicable, there must be enough space available so that the grip can be rotated 360°.

The version with star socket is designed to allow a 45° change of position.

On request:

Other internal threads, reamed holes and star sockets.
Dimension "A" available in other lengths at extra charge.

KIPP Tension levers flat with internal thread

Order No.	Kind of fastening	X	A=Handle length	A1	D	D1	D2	H	H1	H2
K0177.206	internal thread	M6	75	15	25	8	20	14	22	8,5
K0177.208	internal thread	M8	75	15	25	8	20	14	22	8,5
K0177.210	internal thread	M10	75	15	25	8	20	14	22	8,5
K0177.212	internal thread	M12	100	15	33	10	25	17	27	10
K0177.216	internal thread	M16	100	15	33	10	25	17	27	10
K0177.220	internal thread	M20	128	15	41	12	30	20	36	11,5
K0177.224	internal thread	M24	128	15	41	12	30	20	36	11,5

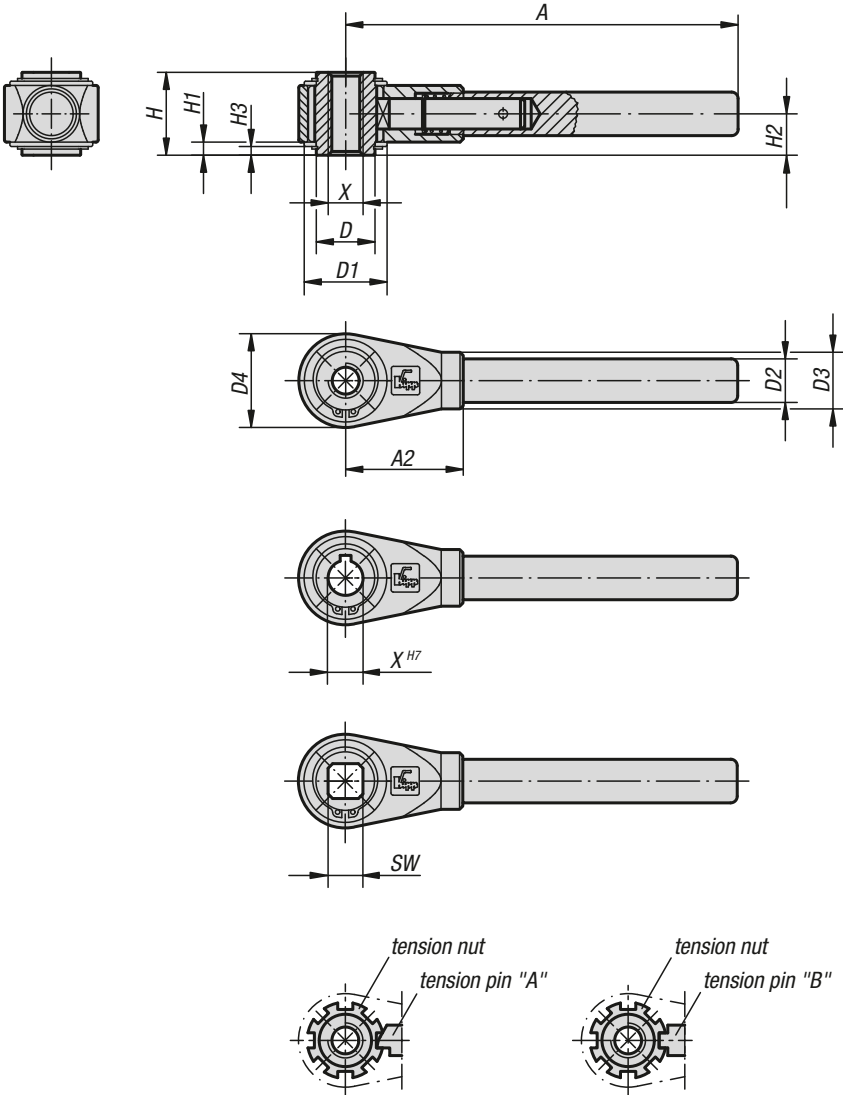
KIPP Tension levers flat with reamed hole

Order No.	Kind of fastening	X	A=Handle length	A1	D	D1	D2	H	H1	H2
K0177.106	reamed hole	6	75	15	25	8	20	14	22	8,5
K0177.108	reamed hole	8	75	15	25	8	20	14	22	8,5
K0177.110	reamed hole	10	75	15	25	8	20	14	22	8,5
K0177.112	reamed hole	12	100	15	33	10	25	17	27	10
K0177.116	reamed hole	16	100	15	33	10	25	17	27	10
K0177.120	reamed hole	20	128	15	41	12	30	20	36	11,5
K0177.124	reamed hole	24	128	15	41	12	30	20	36	11,5

KIPP Tension levers flat with star socket

Order No.	Kind of fastening	SW	A=Handle length	A1	D	D1	D2	H	H1	H2
K0177.305	star socket	5,5	75	15	25	8	20	14	22	8,5
K0177.307	star socket	7	75	15	25	8	20	14	22	8,5
K0177.309	star socket	9	100	15	33	10	25	17	27	10
K0177.311	star socket	11	100	15	33	10	25	17	27	10
K0177.314	star socket	14	128	15	41	12	30	20	36	11,5
K0177.319	star socket	19	128	15	41	12	30	20	36	11,5

Ratchet levers



Material:
Housing carbon steel, tension nut and tension pin case-hardened steel.

Version:
Black oxidised.
Matt-finished or high-polish chrome-plated versions available at extra charge.

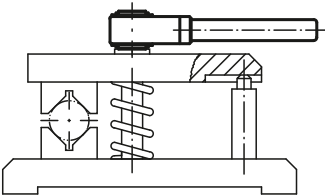
Sample order:
K0128.316

Note:
Tension Pin A standard version (for ratchet action):
Use for clamping and releasing in limited space and when considerable travel is involved. In order to change the tightening direction, the handle must be reversed by 180°.

Tension Pin B special version:
Use for clamping and releasing in limited space and when short travel is involved. The handle is not reversed in order to change the tightening direction. It must be pulled out before it can be engaged in the next slot.

Clamp with H7 reamed hole and DIN 6885/1 keyway.

On request:
Other thread, reamed hole and square socket sizes.
Dimension "E" available in other lengths at extra charge.
Special version: Tension pin B.



KIPP Ratchet levers with internal thread

Order No.	Kind of fastening	X	A=Handle length	A2	D	D1	D2	D3	D4	H	H1	H2	H3	No. of index slots
K0128.310	internal thread	M10	150	48	22	33	17	22	36	31	4,5	15,5	3	7
K0128.312	internal thread	M12	150	48	22	33	17	22	36	31	4,5	15,5	3	7
K0128.314	internal thread	M14	180	54	27	38	20	26	43	38	6	19	4	8
K0128.316	internal thread	M16	180	54	27	38	20	26	43	38	6	19	4	8
K0128.318	internal thread	M18	230	70	35	45	24	30	51	42	6	21	4	8
K0128.320	internal thread	M20	230	70	35	45	24	30	51	42	6	21	4	8
K0128.322	internal thread	M22	300	80	42	56	28	35	61	47	6	23,5	4	9
K0128.324	internal thread	M24	300	80	42	56	28	35	61	47	6	23,5	4	9
K0128.327	internal thread	M27	300	80	42	56	28	35	61	47	6	23,5	4	9
K0128.330	internal thread	M30	400	110	60	75	32	38	82	53	7,5	26,5	5	11
K0128.336	internal thread	M36	400	110	60	75	32	38	82	53	7,5	26,5	5	11
K0128.342	internal thread	M42	400	110	60	75	32	38	82	53	7,5	26,5	5	11

KIPP Ratchet levers with reamed hole

Order No.	Kind of fastening	X	A=Handle length	A2	D	D1	D2	D3	D4	H	H1	H2	H3	No. of index slots
K0128.412	reamed hole with slot	12	150	48	22	33	17	22	36	31	4,5	15,5	3	7
K0128.414	reamed hole with slot	14	180	54	27	38	20	26	43	38	6	19	4	8
K0128.415	reamed hole with slot	15	180	54	27	38	20	26	43	38	6	19	4	8
K0128.416	reamed hole with slot	16	180	54	27	38	20	26	43	38	6	19	4	8
K0128.418	reamed hole with slot	18	230	70	35	45	24	30	51	42	6	21	4	8
K0128.420	reamed hole with slot	20	230	70	35	45	24	30	51	42	6	21	4	8
K0128.422	reamed hole with slot	22	300	80	42	56	28	35	61	47	6	23,5	4	9
K0128.425	reamed hole with slot	25	300	80	42	56	28	35	61	47	6	23,5	4	9
K0128.427	reamed hole with slot	27	300	80	42	56	28	35	61	47	6	23,5	4	9
K0128.430	reamed hole with slot	30	400	110	60	75	32	38	82	53	7,5	26,5	5	11
K0128.436	reamed hole with slot	36	400	110	60	75	32	38	82	53	7,5	26,5	5	11

KIPP Ratchet levers with square socket

Order No.	Kind of fastening	SW	A=Handle length	A2	D	D1	D2	D3	D4	H	H1	H2	H3	No. of index slots
K0128.510	square socket	10	150	48	22	33	17	22	36	31	4,5	15,5	3	7
K0128.512	square socket	12	150	48	22	33	17	22	36	31	4,5	15,5	3	7
K0128.513	square socket	13	180	54	27	38	20	26	43	38	6	19	4	8
K0128.514	square socket	14	180	54	27	38	20	26	43	38	6	19	4	8
K0128.517	square socket	17	230	70	35	45	24	30	51	42	6	21	4	8
K0128.519	square socket	19	300	80	42	56	28	35	61	47	6	23,5	4	9
K0128.520	square socket	20	300	80	42	56	28	35	61	47	6	23,5	4	9
K0128.522	square socket	22	300	80	42	56	28	35	61	47	6	23,5	4	9
K0128.524	square socket	24	300	80	42	56	28	35	61	47	6	23,5	4	9
K0128.530	square socket	30	400	110	60	75	32	38	82	53	7,5	26,5	5	11
K0128.532	square socket	32	400	110	60	75	32	38	82	53	7,5	26,5	5	11

Cam levers

internal and external thread, steel or stainless steel



Material:

Handles cast aluminum EN AC-46200.

Thrust washer plastic PA 66 GF 35-X fiberglass reinforced.

Hinge pin stainless steel 1.4305.

Studs and washer steel grade 5.8 or stainless steel 1.4305.

Version:

Handles fine structured powder-coated, black or red RAL 3003.

Thrust washer black.

Hinge pin bright.

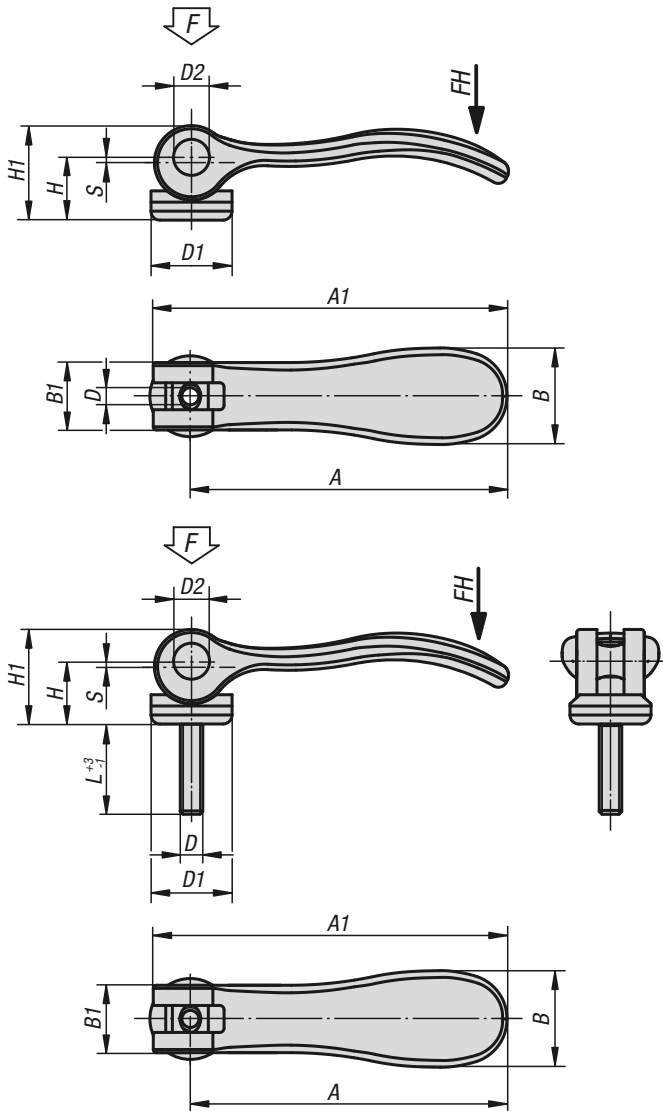
Studs and washer blue passivated steel or bright stainless steel.

Sample order:

K0005.101105X20 (include length L)

Note:

Plastics are subject to creeping under load (retardation).



Cam levers

internal and external thread, steel or stainless steel

KIPP Cam levers with internal thread, grip black

Order No. steel	Order No. stainless steel	D	D1	D2	B	B1	H	H1	A	A1	Travel S	Clamping force F (kN)	Hand force FH N
K0005.9501103	K0005.9511103	M3	12	6	14,4	11,5	9	13	36,2	41,7	1	1,5	90
K0005.9501104	K0005.9511104	M4	12	6	14,4	11,5	9	13	36,2	41,7	1	1,5	90
K0005.0501104	K0005.0511104	M4	15,4	8	18	13	11,2	17	52,3	59,1	1	2,5	100
K0005.0501105	K0005.0511105	M5	15,4	8	18	13	11,2	17	52,3	59,1	1	2,5	100
K0005.1501105	K0005.1511105	M5	18,1	9	21,5	15	14,5	22	70,4	79,2	1,2	4	120
K0005.1501106	K0005.1511106	M6	18,1	9	21,5	15	14,5	22	70,4	79,2	1,2	4	120
K0005.2501108	K0005.2511108	M8	27,1	11	33,3	24	18	28,5	96	108	1,5	8	350

KIPP Cam levers with internal thread, grip red

Order No. steel	Order No. stainless steel	D	D1	D2	B	B1	H	H1	A	A1	Travel S	Clamping force F (kN)	Hand force FH N
K0005.9501403	K0005.9511403	M3	12	6	14,4	11,5	9	13	36,2	41,7	1	1,5	90
K0005.9501404	K0005.9511404	M4	12	6	14,4	11,5	9	13	36,2	41,7	1	1,5	90
K0005.0501404	K0005.0511404	M4	15,4	8	18	13	11,2	17	52,3	59,1	1	2,5	100
K0005.0501405	K0005.0511405	M5	15,4	8	18	13	11,2	17	52,3	59,1	1	2,5	100
K0005.1501405	K0005.1511405	M5	18,1	9	21,5	15	14,5	22	70,4	79,2	1,2	4	120
K0005.1501406	K0005.1511406	M6	18,1	9	21,5	15	14,5	22	70,4	79,2	1,2	4	120
K0005.2501408	K0005.2511408	M8	27,1	11	33,3	24	18	28,5	96	108	1,5	8	350

KIPP Cam levers with external thread, grip black

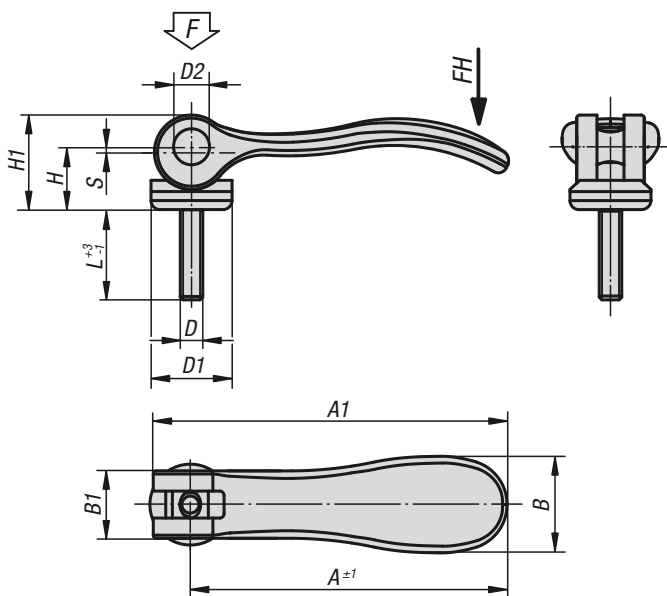
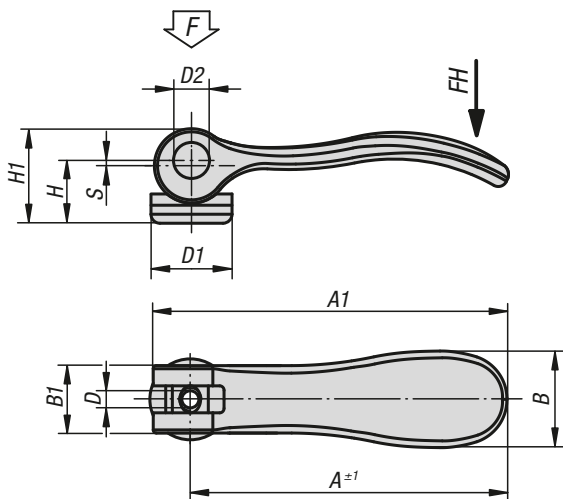
Order No. steel	Order No. stainless steel	D	D1	D2	B	B1	H	H1	A	A1	L	Travel S	Clamping force F (kN)	Hand force FH N
K0005.9501103X	K0005.9511103X	M3	12	6	14,4	11,5	9	13	36,2	41,7	10/15/30	1	1,5	90
K0005.9501104X	K0005.9511104X	M4	12	6	14,4	11,5	9	13	36,2	41,7	10/15/30	1	1,5	90
K0005.0501104X	K0005.0511104X	M4	15,4	8	18	13	11,2	17	52,3	59,1	15/20/30	1	2,5	100
K0005.0501105X	K0005.0511105X	M5	15,4	8	18	13	11,2	17	52,3	59,1	20/30/40/50	1	2,5	100
K0005.1501105X	K0005.1511105X	M5	18,1	9	21,5	15	14,5	22	70,4	79,2	20/30/40/50	1,2	4	120
K0005.1501106X	K0005.1511106X	M6	18,1	9	21,5	15	14,5	22	70,4	79,2	20/30/40/50	1,2	4	120
K0005.2501108X	K0005.2511108X	M8	27,1	11	33,3	24	18	28,5	96	108	25/30/40/50	1,5	8	350
K0005.2501110X	K0005.2511110X	M10	27,1	11	33,3	24	18	28,5	96	108	25/30/40/50	1,5	8	350

KIPP Cam levers with external thread, grip red

Order No. steel	Order No. stainless steel	D	D1	D2	B	B1	H	H1	A	A1	L	Travel S	Clamping force F (kN)	Hand force FH N
K0005.9501403X	K0005.9511403X	M3	12	6	14,4	11,5	9	13	36,2	41,7	10/15/30	1	1,5	90
K0005.9501404X	K0005.9511404X	M4	12	6	14,4	11,5	9	13	36,2	41,7	10/15/30	1	1,5	90
K0005.0501404X	K0005.0511404X	M4	15,4	8	18	13	11,2	17	52,3	59,1	15/20/30	1	2,5	100
K0005.0501405X	K0005.0511405X	M5	15,4	8	18	13	11,2	17	52,3	59,1	20/30/40/50	1	2,5	100
K0005.1501405X	K0005.1511405X	M5	18,1	9	21,5	15	14,5	22	70,4	79,2	20/30/40/50	1,2	4	120
K0005.1501406X	K0005.1511406X	M6	18,1	9	21,5	15	14,5	22	70,4	79,2	20/30/40/50	1,2	4	120
K0005.2501408X	K0005.2511408X	M8	27,1	11	33,3	24	18	28,5	96	108	25/30/40/50	1,5	8	350
K0005.2501410X	K0005.2511410X	M10	27,1	11	33,3	24	18	28,5	96	108	25/30/40/50	1,5	8	350

Cam levers

internal and external thread, steel



Material:

Handle steel 1.0401.
 Thrust washer plastic PA 66 GF 35-X fiberglass reinforced.
 Hinge pin stainless steel 1.4305.
 Stud and washer steel, grade 5.8.

Version:

Handle, stud and washer trivalent blue passivated.
 Thrust washer black.
 Hinge pin bright.

Sample order:

K0788.1502205

Note:

Plastics are subject to creeping under load (retardation).

Cam levers

internal and external thread, steel



KIPP Cam levers with internal thread, steel

Order No.	D	D1	D2	B	B1	H	H1	A	A1	Travel S	Clamping force F (kN)	Hand force FH N
K0788.1502205	M5	18,1	9	21,5	15	14,5	22	70,4	79,2	1,2	4	120
K0788.1502206	M6	18,1	9	21,5	15	14,5	22	70,4	79,2	1,2	4	120
K0788.2502208	M8	27,1	11	33,2	24	18	28,5	96	108	1,5	8	350

KIPP Cam levers with external thread, steel

Order No.	D	D1	D2	B	B1	H	H1	A	A1	L	Travel S	Clamping force F (kN)	Hand force FH N
K0788.1502205X	M5	18,1	9	21,5	15	14,5	22	70,4	79,2	20/30/40/50	1,2	4	120
K0788.1502206X	M6	18,1	9	21,5	15	14,5	22	70,4	79,2	20/30/40/50	1,2	4	120
K0788.2502208X	M8	27,1	11	33,2	24	18	28,5	96	108	25/30/40/50	1,5	8	350
K0788.2502210X	M10	27,1	11	33,2	24	18	28,5	96	108	25/30/40/50	1,5	8	350

Cam levers

internal and external thread, stainless steel



Material:

Handles 1.4308 stainless steel.
 Thrust washer plastic PA 66 GF 35-X, fibreglass reinforced.
 Hinge pin, washer and screw 1.4305 stainless steel.

Version:

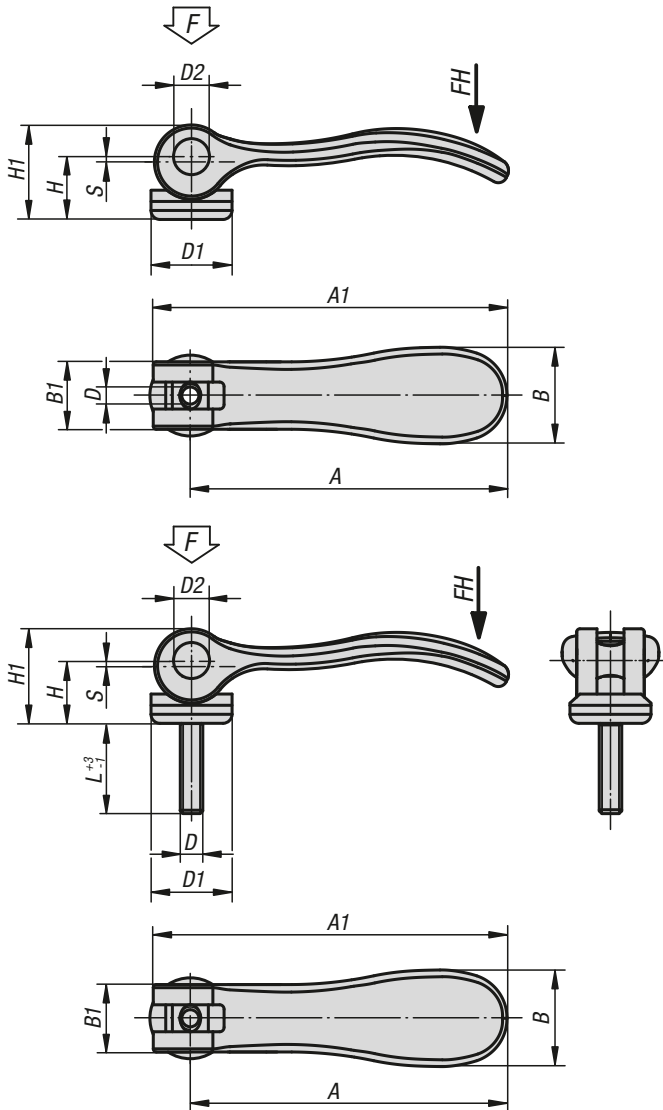
Handle electropolished or blasted.
 Thrust washer black.
 Hinge pin, washer and screw bright.

Sample order:

K0645.1512005X20 (include length L)

Note:

Plastics are subject to creeping under load (retardation).



Cam levers

internal and external thread, stainless steel



KIPP Cam levers with internal thread, stainless steel

Order No.	Surface finish body	D	D1	D2	B	B1	H	H1	A	A1	Travel S	Clamping force F (kN)	Hand force FH N
K0645.9512003	electropolished	M3	12	6	14,4	11,5	9	13	36,2	41,7	1	1,5	90
K0645.9512004	electropolished	M4	12	6	14,4	11,5	9	13	36,2	41,7	1	1,5	90
K0645.0512004	electropolished	M4	15,4	8	18	13	11,2	17	52,3	59,1	1	2,5	100
K0645.0512005	electropolished	M5	15,4	8	18	13	11,2	17	52,3	59,1	1	2,5	100
K0645.1512005	electropolished	M5	18,1	9	21,5	15	14,5	22	70,4	79,2	1,2	4	120
K0645.1512006	electropolished	M6	18,1	9	21,5	15	14,5	22	70,4	79,2	1,2	4	120
K0645.2512008	electropolished	M8	27,1	11	33,3	24	18	28,5	96	108	1,5	8	350
K0645.9512303	blasted	M3	12	6	14,4	11,5	9	13	36,2	41,7	1	1,5	90
K0645.9512304	blasted	M4	12	6	14,4	11,5	9	13	36,2	41,7	1	1,5	90
K0645.0512304	blasted	M4	15,4	8	18	13	11,2	17	52,3	59,1	1	2,5	100
K0645.0512305	blasted	M5	15,4	8	18	13	11,2	17	52,3	59,1	1	2,5	100
K0645.1512305	blasted	M5	18,1	9	21,5	15	14,5	22	70,4	79,2	1,2	4	120
K0645.1512306	blasted	M6	18,1	9	21,5	15	14,5	22	70,4	79,2	1,2	4	120
K0645.2512308	blasted	M8	27,1	11	33,3	24	18	28,5	96	108	1,5	8	350

KIPP Cam levers with external thread, stainless steel

Order No.	Surface finish body	D	D1	D2	B	B1	H	H1	A	A1	L	Travel S	Clamping force F (kN)	Hand force FH N
K0645.9512003X	electropolished	M3	12	6	14,4	11,5	9	13	36,2	41,7	10/15/30	1	1,5	90
K0645.9512004X	electropolished	M4	12	6	14,4	11,5	9	13	36,2	41,7	10/15/30	1	1,5	90
K0645.0512004X	electropolished	M4	15,4	8	18	13	11,2	17	52,3	59,1	15/20/30	1	2,5	100
K0645.0512005X	electropolished	M5	15,4	8	18	13	11,2	17	52,3	59,1	20/30/40/50	1	2,5	100
K0645.1512005X	electropolished	M5	18,1	9	21,5	15	14,5	22	70,4	79,2	20/30/40/50	1,2	4	120
K0645.1512006X	electropolished	M6	18,1	9	21,5	15	14,5	22	70,4	79,2	20/30/40/50	1,2	4	120
K0645.2512008X	electropolished	M8	27,1	11	33,3	24	18	28,5	96	108	25/30/40/50	1,5	8	350
K0645.2512010X	electropolished	M10	27,1	11	33,3	24	18	28,5	96	108	25/30/40/50	1,5	8	350
K0645.9512303X	blasted	M3	12	6	14,4	11,5	9	13	36,2	41,7	10/15/30	1	1,5	90
K0645.9512304X	blasted	M4	12	6	14,4	11,5	9	13	36,2	41,7	10/15/30	1	1,5	90
K0645.0512304X	blasted	M4	15,4	8	18	13	11,2	17	52,3	59,1	15/20/30	1	2,5	100
K0645.0512305X	blasted	M5	15,4	8	18	13	11,2	17	52,3	59,1	20/30/40/50	1	2,5	100
K0645.1512305X	blasted	M5	18,1	9	21,5	15	14,5	22	70,4	79,2	20/30/40/50	1,2	4	120
K0645.1512306X	blasted	M6	18,1	9	21,5	15	14,5	22	70,4	79,2	20/30/40/50	1,2	4	120
K0645.2512308X	blasted	M8	27,1	11	33,3	24	18	28,5	96	108	25/30/40/50	1,5	8	350
K0645.2512310X	blasted	M10	27,1	11	33,3	24	18	28,5	96	108	25/30/40/50	1,5	8	350

Cam levers

internal or external thread, stainless steel, thrust washer stainless steel



Material:

Handle 1.4308 stainless steel.
Thrust washer 1.4034 stainless steel, hardened.
Hinge pin and stud 1.4305 stainless steel.

Version:

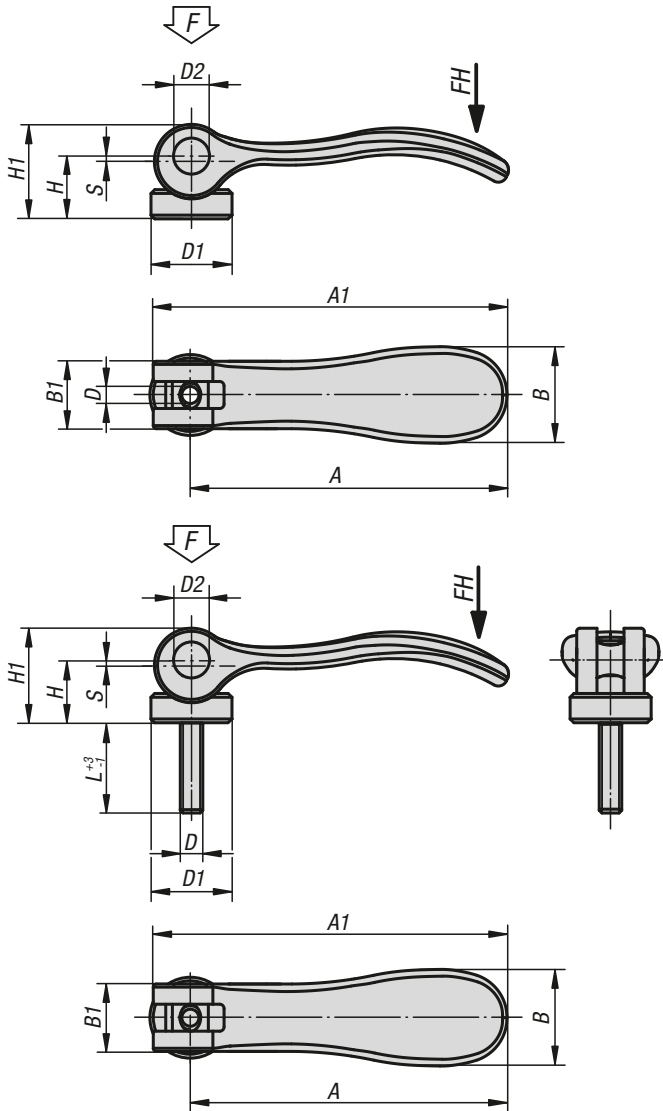
Handle electropolished or blasted.
Thrust washer, hinge pin and screw bright.

Sample order:

K0645.0541005X20 (include length L)

Note:

The thrust washer face is lightly greased before delivery.
The grease is FDA conform and is suitable for use in the foodstuff and pharmaceutical industries.



Cam levers

internal or external thread, stainless steel, thrust washer stainless steel



KIPP Cam levers, stainless steel, with internal thread, thrust washer stainless steel

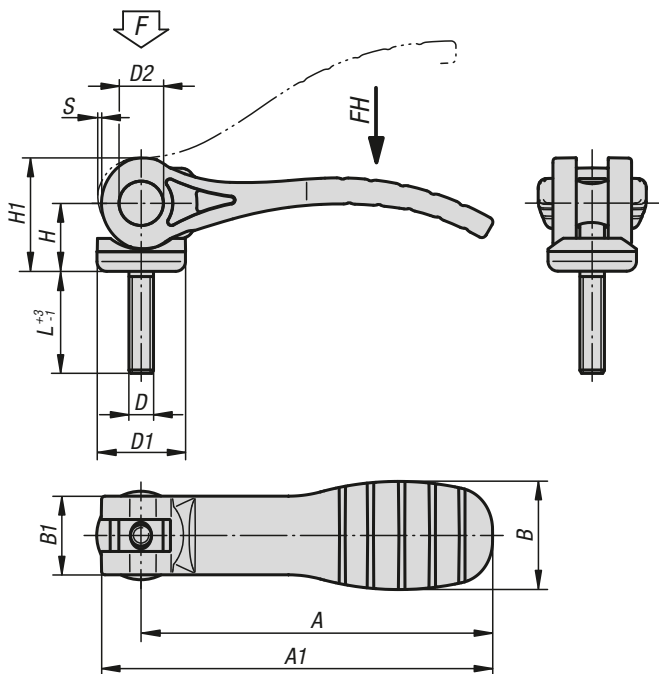
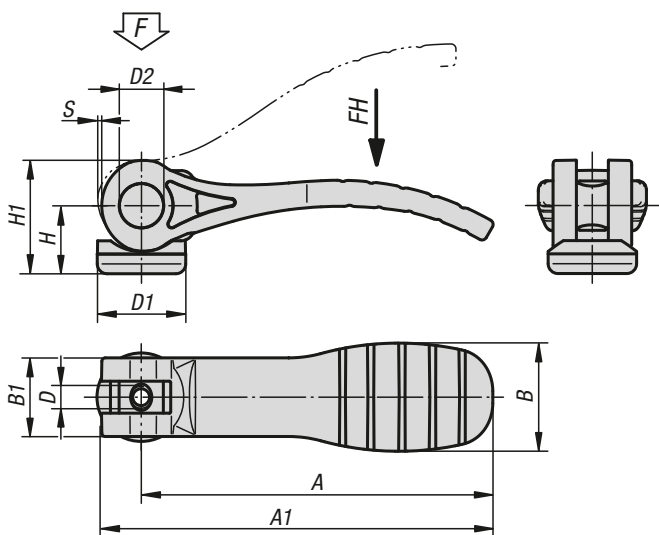
Order No. electropolished	Order No. blasted	D	D1	D2	B	B1	H	H1	A	A1	Travel S	Clamping force F (kN)	Hand force FH N
K0645.9541003	K0645.9541303	M3	12	6	14,4	11,5	9	13,5	36,2	41,7	1	1,5	90
K0645.9541004	K0645.9541304	M4	12	6	14,4	11,5	9	13,5	36,2	41,7	1	1,5	90
K0645.0541004	K0645.0541304	M4	15,4	8	18	13	11,4	17,2	52,3	59,1	1	2,5	100
K0645.0541005	K0645.0541305	M5	15,4	8	18	13	11,4	17,2	52,3	59,1	1	2,5	100
K0645.1541005	K0645.1541305	M5	18	9	21,5	15	14,7	22	70,4	79,2	1,2	4	120
K0645.1541006	K0645.1541306	M6	18	9	21,5	15	14,7	22	70,4	79,2	1,2	4	120
K0645.2541008	K0645.2541308	M8	27	11	33,3	24	18,3	28,8	96	108	1,5	8	350

KIPP Cam levers, stainless steel, with external thread, thrust washer stainless steel

Order No. electropolished	Order No. blasted	D	D1	D2	B	B1	H	H1	A	A1	L	Travel S	Clamping force F (kN)	Hand force FH N
K0645.9541003X	K0645.9541303X	M3	12	6	14,4	11,5	9	13,5	36,2	41,7	10/15/30	1	1,5	90
K0645.9541004X	K0645.9541304X	M4	12	6	14,4	11,5	9	13,5	36,2	41,7	10/15/30	1	1,5	90
K0645.0541004X	K0645.0541304X	M4	15,4	8	18	13	11,4	17,2	52,3	59,1	15/20/30	1	2,5	100
K0645.0541005X	K0645.0541305X	M5	15,4	8	18	13	11,4	17,2	52,3	59,1	20/30/40/50	1	2,5	100
K0645.1541005X	K0645.1541305X	M5	18	9	21,5	15	14,7	22	70,4	79,2	20/30/40/50	1,2	4	120
K0645.1541006X	K0645.1541306X	M6	18	9	21,5	15	14,7	22	70,4	79,2	20/30/40/50	1,2	4	120
K0645.2541008X	K0645.2541308X	M8	27	11	33,3	24	18,3	28,8	96	108	25/30/40/50	1,5	8	350
K0645.2541010X	K0645.2541310X	M10	27	11	33,3	24	18,3	28,8	96	108	25/30/40/50	1,5	8	350

Cam levers with plastic handle

internal and external thread, steel or stainless steel



Material:

Grip and thrust washer plastic PA 66 fibreglass reinforced.
Hinge pins stainless steel 1.4305.
Studs and washer steel grade 5.8 or stainless steel 1.4305.

Version:

Grip black or traffic red RAL3020.
Thrust washer black.
Hinge pin bright.
Stud and washer trivalent blue passivated or bright stainless steel.

Sample order:

K0646.1521105X20 (include length L)

Note:

Plastics are subject to creeping under load (retardation), this can cause reduced clamping force.

Cam levers with plastic handle

internal and external thread, steel or stainless steel



KIPP Cam levers with black plastic grip and internal thread

Order No. steel	Order No. stainless steel	D	D1	D2	B	B1	H	H1	A	A1	Travel S	Clamping force F (kN)	Hand force FH N
K0646.1521105	K0646.1531105	M5	18,1	9	22	16	14	23,4	71,5	79,6	1,15	2,5	125
K0646.1521106	K0646.1531106	M6	18,1	9	22	16	14	23,4	71,5	79,6	1,15	2,5	125
K0646.2521108	K0646.2531108	M8	27,1	11	33	24,2	16,2	27,7	100	110	1,5	5	170

KIPP Cam levers with red plastic grip and internal thread

Order No. steel	Order No. stainless steel	D	D1	D2	B	B1	H	H1	A	A1	Travel S	Clamping force F (kN)	Hand force FH N
K0646.15218405	K0646.15318405	M5	18,1	9	22	16	14	23,4	71,5	79,6	1,15	2,5	125
K0646.15218406	K0646.15318406	M6	18,1	9	22	16	14	23,4	71,5	79,6	1,15	2,5	125
K0646.25218408	K0646.25318408	M8	27,1	11	33	24,2	16,2	27,7	100	110	1,5	5	170

KIPP Cam levers with black plastic grip and external thread

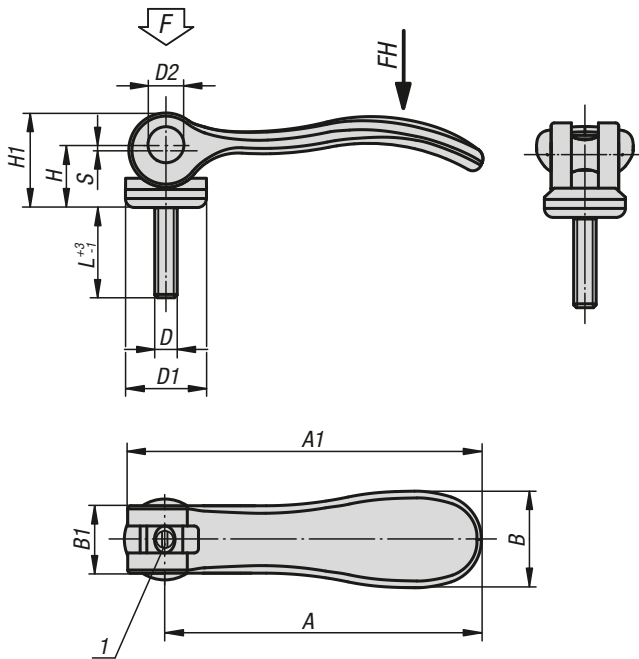
Order No. steel	Order No. stainless steel	D	D1	D2	B	B1	H	H1	A	A1	L	Travel S	Clamping force F (kN)	Hand force FH N
K0646.1521105X	K0646.1531105X	M5	18,1	9	22	16	14	23,4	71,5	79,6	20/30/40/50	1,15	2,5	125
K0646.1521106X	K0646.1531106X	M6	18,1	9	22	16	14	23,4	71,5	79,6	20/30/40/50	1,15	2,5	125
K0646.2521108X	K0646.2531108X	M8	27,1	11	33	24,2	16,2	27,7	100	110	25/30/40/50	1,5	5	170
K0646.2521110X	K0646.2531110X	M10	27,1	11	33	24,2	16,2	27,7	100	110	25/30/40/50	1,5	5	170

KIPP Cam levers with red plastic grip and external thread

Order No. steel	Order No. stainless steel	D	D1	D2	B	B1	H	H1	A	A1	L	Travel S	Clamping force F (kN)	Hand force FH N
K0646.15218405X	K0646.15318405X	M5	18,1	9	22	16	14	23,4	71,5	79,6	20/30/40/50	1,15	2,5	125
K0646.15218406X	K0646.15318406X	M6	18,1	9	22	16	14	23,4	71,5	79,6	20/30/40/50	1,15	2,5	125
K0646.25218408X	K0646.25318408X	M8	27,1	11	33	24,2	16,2	27,7	100	110	25/30/40/50	1,5	5	170
K0646.25218410X	K0646.25318410X	M10	27,1	11	33	24,2	16,2	27,7	100	110	25/30/40/50	1,5	5	170

Cam levers adjustable

external thread, steel or stainless steel



Material:

Handles cast aluminium EN AC-46200.

Thrust washer fibreglass reinforced plastic PA 66 GF 35-X.

Hinge pins 1.4305 stainless steel.

Screw and washer steel grade 5.8 or 1.4305 stainless steel.

Version:

Handles fine structured powder-coated, black or red RAL 3003.

Thrust washer black.

Hinge pin bright.

Studs and washer blue passivated steel or bright stainless steel.

Sample order:

K0006.9501103X10 (include length L)

Note:

Adjustable cam levers are used if the position of the lever relative to the axis of tension only permits one specific position (interference circle). The exact position of the lever is adjusted using a screwdriver on the fine thread setscrew.

Plastics are subject to creeping under load (retardation).

Drawing reference:

1) setscrew for fine adjustment of lever

Cam levers adjustable

external thread, steel or stainless steel



KIPP Adjustable cam levers with external thread, grip black

Order No. steel	Order No. stainless steel	D	D1	D2	B	B1	H	H1	A	A1	L	Travel S	Clamping force F (kN)	Hand force FH N
K0006.9501103X	K0006.9511103X	M3	12	6	14,4	11,5	9	13	36,2	41,7	10/15/30	1	1,5	90
K0006.9501104X	K0006.9511104X	M4	12	6	14,4	11,5	9	13	36,2	41,7	10/15/30	1	1,5	90
K0006.0501104X	K0006.0511104X	M4	15,4	8	18	13	11,2	17	52,3	59,1	15/20/30	1	2,5	100
K0006.0501105X	K0006.0511105X	M5	15,4	8	18	13	11,2	17	52,3	59,1	20/30/40/50	1	2,5	100
K0006.1501105X	K0006.1511105X	M5	18,1	9	21,5	15	14,5	22	70,4	79,2	20/30/40/50	1,2	4	120
K0006.1501106X	K0006.1511106X	M6	18,1	9	21,5	15	14,5	22	70,4	79,2	20/30/40/50	1,2	4	120
K0006.2501108X	K0006.2511108X	M8	27,1	11	33,3	24	18	28,5	96	108	25/30/40/50	1,5	8	350
K0006.2501110X	K0006.2511110X	M10	27,1	11	33,3	24	18	28,5	96	108	25/30/40/50	1,5	8	350

KIPP Adjustable cam levers with external thread, grip red

Order No. steel	Order No. stainless steel	D	D1	D2	B	B1	H	H1	A	A1	L	Travel S	Clamping force F (kN)	Hand force FH N
K0006.9501403X	K0006.9511403X	M3	12	6	14,4	11,5	9	13	36,2	41,7	10/15/30	1	1,5	90
K0006.9501404X	K0006.9511404X	M4	12	6	14,4	11,5	9	13	36,2	41,7	10/15/30	1	1,5	90
K0006.0501404X	K0006.0511404X	M4	15,4	8	18	13	11,2	17	52,3	59,1	15/20/30	1	2,5	100
K0006.0501405X	K0006.0511405X	M5	15,4	8	18	13	11,2	17	52,3	59,1	20/30/40/50	1	2,5	100
K0006.1501405X	K0006.1511405X	M5	18,1	9	21,5	15	14,5	22	70,4	79,2	20/30/40/50	1,2	4	120
K0006.1501406X	K0006.1511406X	M6	18,1	9	21,5	15	14,5	22	70,4	79,2	20/30/40/50	1,2	4	120
K0006.2501408X	K0006.2511408X	M8	27,1	11	33,3	24	18	28,5	96	108	25/30/40/50	1,5	8	350
K0006.2501410X	K0006.2511410X	M10	27,1	11	33,3	24	18	28,5	96	108	25/30/40/50	1,5	8	350

Cam levers adjustable

external thread, steel



Material:

Handle steel 1.0401.
 Thrust washer plastic PA 66 GF 35-X fibreglass reinforced.
 Hinge pin stainless steel 1.4305.
 Stud and washer steel, grade 5.8.

Version:

Handle, stud and washer trivalent blue passivated.
 Thrust washer black.
 Hinge pin bright.

Sample order:

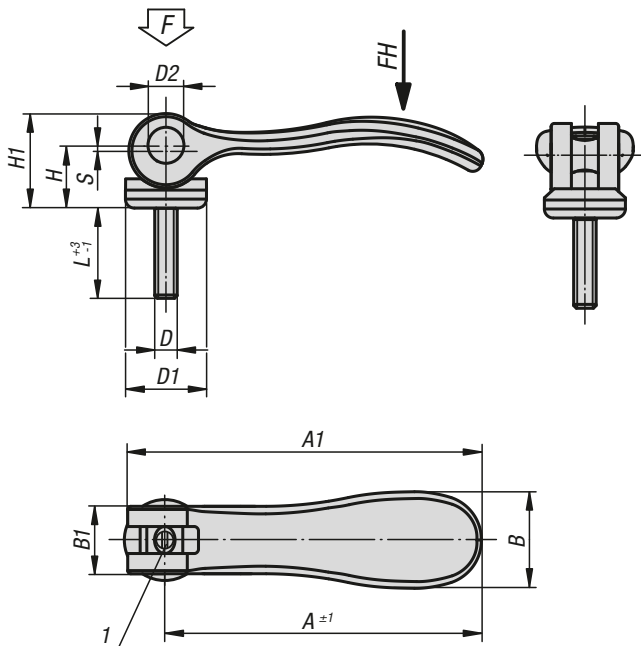
K0789.1502205X20

Note:

Adjustable cam levers are used if the position of the lever relative to the axis of tension only permits one specific position (interference circle). The exact position of the lever is adjusted using a screwdriver on the fine thread setscrew. Plastics are subject to creeping under load (retardation).

Drawing reference:

1) setscrew for fine adjustment of lever



KIPP Cam levers, adjustable, external thread, steel

Order No.	D	D1	D2	B	B1	H	H1	A	A1	L	Travel S	Clamping force F (kN)	Hand force FH N
K0789.1502205X	M5	18,1	9	21,5	15	14,5	22	70,4	79,2	20/30/40/50	1,2	4	120
K0789.1502206X	M6	18,1	9	21,5	15	14,5	22	70,4	79,2	20/30/40/50	1,2	4	120
K0789.2502208X	M8	27,1	11	33,2	24	18	28,5	96	108	25/30/40/50	1,5	8	350
K0789.2502210X	M10	27,1	11	33,2	24	18	28,5	96	108	25/30/40/50	1,5	8	350

Cam levers adjustable

external thread, stainless steel



Material:

Handles 1.4308 stainless steel.

Thrust washer plastic PA 66 GF 35-X, fibreglass reinforced.

Hinge pin, washer and screw 1.4305 stainless steel.

Version:

Handle electropolished or blasted.

Thrust washer black.

Hinge pin, washer and screw bright.

Sample order:

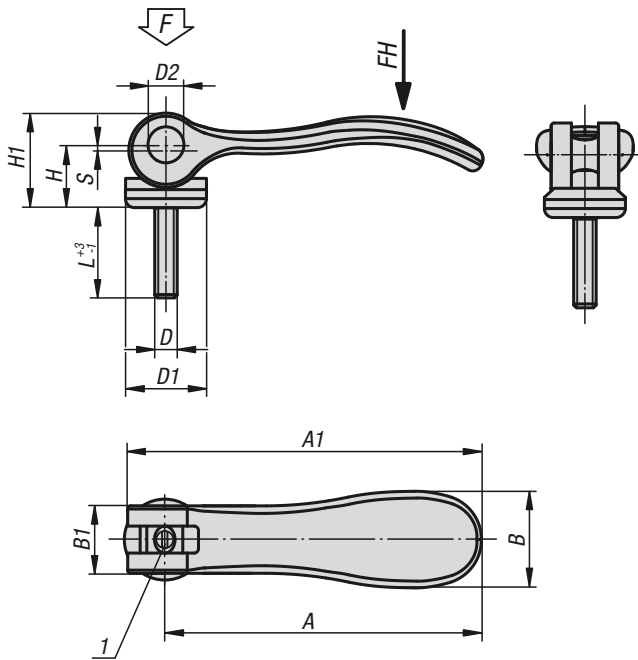
K0647.1512005X20 (include length L)

Note:

Adjustable cam levers are used if the position of the lever relative to the axis of tension only permits one specific position (interference circle). The exact position of the lever is adjusted using a screwdriver on the fine thread setscrew. Plastics are subject to creeping under load (retardation).

Drawing reference:

1) setscrew for fine adjustment of lever



KIPP Cam levers, adjustable, external thread, stainless steel

Order No.	Surface finish body	D	D1	D2	B	B1	H	H1	A	A1	L	Travel S	Clamping force F (kN)	Hand force FH N
K0647.9512003X	electropolished	M3	12	6	14,4	11,5	9	13	36,2	41,7	10/15/30	1	1,5	90
K0647.9512004X	electropolished	M4	12	6	14,4	11,5	9	13	36,2	41,7	10/15/30	1	1,5	90
K0647.0512004X	electropolished	M4	15,4	8	18	13	11,2	17	52,3	59,1	15/20/30	1	2,5	100
K0647.0512005X	electropolished	M5	15,4	8	18	13	11,2	17	52,3	59,1	20/30/40/50	1	2,5	100
K0647.1512005X	electropolished	M5	18,1	9	21,5	15	14,5	22	70,4	79,2	20/30/40/50	1,2	4	120
K0647.1512006X	electropolished	M6	18,1	9	21,5	15	14,5	22	70,4	79,2	20/30/40/50	1,2	4	120
K0647.2512008X	electropolished	M8	27,1	11	33,3	24	18	28,5	96	108	25/30/40/50	1,5	8	350
K0647.2512010X	electropolished	M10	27,1	11	33,3	24	18	28,5	96	108	25/30/40/50	1,5	8	350
K0647.9512303X	blasted	M3	12	6	14,4	11,5	9	13	36,2	41,7	10/15/30	1	1,5	90
K0647.9512304X	blasted	M4	12	6	14,4	11,5	9	13	36,2	41,7	10/15/30	1	1,5	90
K0647.0512304X	blasted	M4	15,4	8	18	13	11,2	17	52,3	59,1	15/20/30	1	2,5	100
K0647.0512305X	blasted	M5	15,4	8	18	13	11,2	17	52,3	59,1	20/30/40/50	1	2,5	100
K0647.1512305X	blasted	M5	18,1	9	21,5	15	14,5	22	70,4	79,2	20/30/40/50	1,2	4	120
K0647.1512306X	blasted	M6	18,1	9	21,5	15	14,5	22	70,4	79,2	20/30/40/50	1,2	4	120
K0647.2512308X	blasted	M8	27,1	11	33,3	24	18	28,5	96	108	25/30/40/50	1,5	8	350
K0647.2512310X	blasted	M10	27,1	11	33,3	24	18	28,5	96	108	25/30/40/50	1,5	8	350

Cam levers adjustable

external thread, stainless steel, thrust washer stainless steel



Material:

Handle 1.4308 stainless steel.
Thrust washer 1.4034 stainless steel, hardened.
Hinge pin and stud 1.4305 stainless steel.

Version:

Handle electropolished or blasted.
Thrust washer, hinge pin and screw bright.

Sample order:

K0647.0541305X20 (include length L)

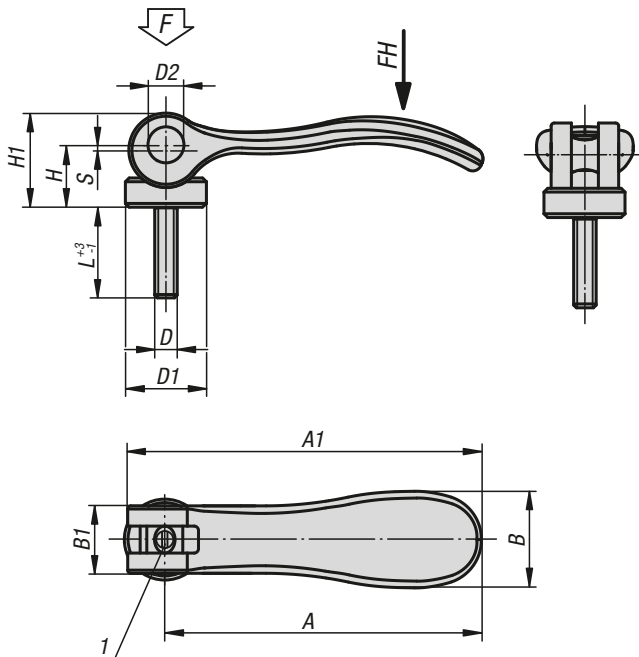
Note:

Adjustable cam levers are used when the position of the clamping lever relative to the clamping axis permits only one specific position (swing circle interference). The exact position of the clamping lever is adjusted with a screwdriver via the fine thread on the stud.

The thrust washer face is lightly greased before delivery. The grease is FDA conform and is suitable for use in the foodstuff and pharmaceutical industries.

Drawing reference:

1) setscrew for fine adjustment of lever

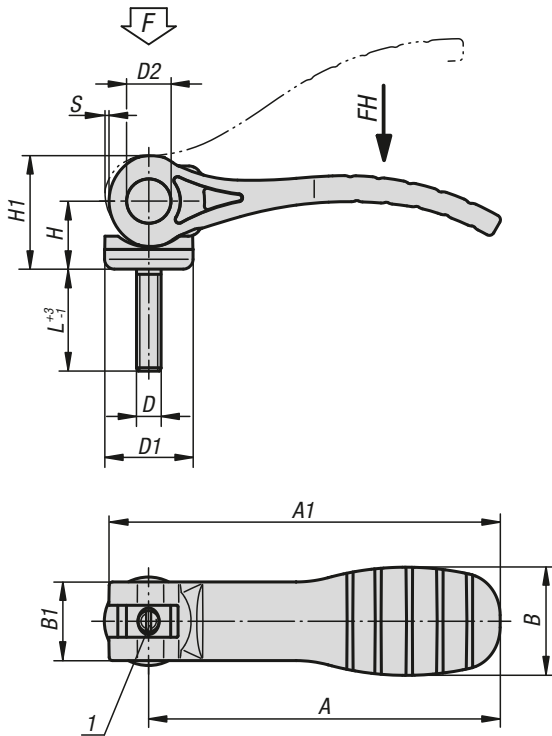


KIPP Cam levers adjustable, stainless steel, with external thread, thrust washer stainless steel

Order No.	D	D1	D2	B	B1	H	H1	A	A1	L	Travel S	Clamping force F (kN)	Hand force FH N
K0647.9541003X	M3	12	6	14,4	11,5	9	13,5	36,2	41,7	10/15/30	1	1,5	90
K0647.9541004X	M4	12	6	14,4	11,5	9	13,5	36,2	41,7	10/15/30	1	1,5	90
K0647.0541004X	M4	15,4	8	18	13	11,4	17,2	52,3	59,1	15/20/30	1	2,5	100
K0647.0541005X	M5	15,4	8	18	13	11,4	17,2	52,3	59,1	20/30/40/50	1	2,5	100
K0647.1541005X	M5	18	9	21,5	15	14,7	22	70,4	79,2	20/30/40/50	1,2	4	120
K0647.1541006X	M6	18	9	21,5	15	14,7	22	70,4	79,2	20/30/40/50	1,2	4	120
K0647.2541008X	M8	27	11	33,3	24	18,3	28,8	96	108	25/30/40/50	1,5	8	350
K0647.2541010X	M10	27	11	33,3	24	18,3	28,8	96	108	25/30/40/50	1,5	8	350

Cam levers adjustable with plastic handle

external thread, steel or stainless steel



Material:

Handles and thrust washer fiberglass reinforced plastic PA 66.
Hinge pins 1.4305 stainless steel.
Screw and washer steel quality class 5.8 or 1.4305 stainless steel.

Version:

Grip black or traffic red RAL3020.
Thrust washer black.
Hinge pin bright.
Stud and washer trivalent blue passivated or bright stainless steel.

Sample order:

K0648.1521105X20 (include length L)

Note:

Adjustable cam levers are used if the position of the lever relative to the axis of tension only permits one specific position (interference circle). The exact position of the lever is adjusted using a screwdriver on the fine thread setscrew.

Plastics are subject to creeping under load (retardation), this can cause reduced clamping force.

Drawing reference:

1) setscrew for fine adjustment of lever

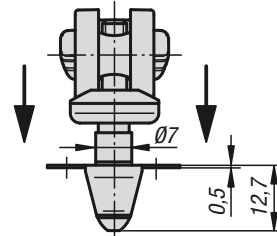
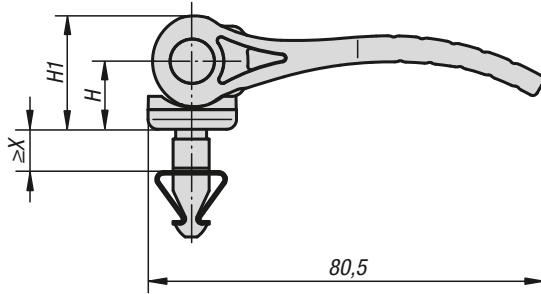
KIPP Cam levers, adjustable with black plastic grip and external thread

Order No. steel	Order No. stainless steel	D	D1	D2	B	B1	H	H1	A	A1	L	Travel S	Clamping force F (kN)	Hand force FH N
K0648.1521105X	K0648.1531105X	M5	18,1	9	22	16	14	23,4	71,5	79,6	20/30/40/50	1,15	2,5	125
K0648.1521106X	K0648.1531106X	M6	18,1	9	22	16	14	23,4	71,5	79,6	20/30/40/50	1,15	2,5	125
K0648.2521108X	K0648.2531108X	M8	27,1	11	33	24	16,2	27,7	100	110	25/30/40/50	1,5	5	170
K0648.2521110X	K0648.2531110X	M10	27,1	11	33	24	16,2	27,7	100	110	25/30/40/50	1,5	5	170

KIPP Cam levers, adjustable with red plastic grip and external thread

Order No. steel	Order No. stainless steel	D	D1	D2	B	B1	H	H1	A	A1	L	Travel S	Clamping force F (kN)	Hand force FH N
K0648.15218405X	K0648.15318405X	M5	18,1	9	22	16	14	23,4	71,5	79,6	20/30/40/50	1,15	2,5	125
K0648.15218406X	K0648.15318406X	M6	18,1	9	22	16	14	23,4	71,5	79,6	20/30/40/50	1,15	2,5	125
K0648.25218408X	K0648.25318408X	M8	27,1	11	33	24	16,2	27,7	100	110	25/30/40/50	1,5	5	170
K0648.25218410X	K0648.25318410X	M10	27,1	11	33	24	16,2	27,7	100	110	25/30/40/50	1,5	5	170

Cam levers with quick lock



Material, version:

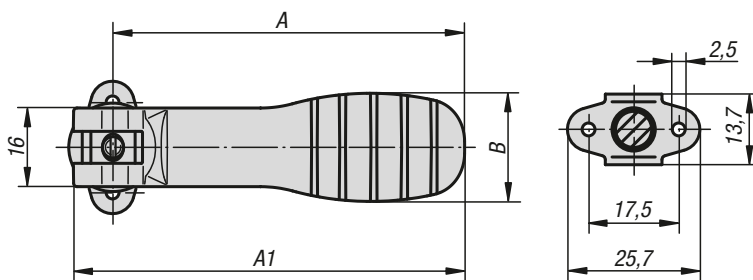
Handle and thrust washer fibreglass reinforced PA66 plastic, black.
Hinge pins bright 1.4305 stainless steel.
Locking pin trivalent blue passivated 1.0718 steel.
Spring clip trivalent passivated 1.4310 stainless steel.

Sample order:

K0751.121107X2

Note:

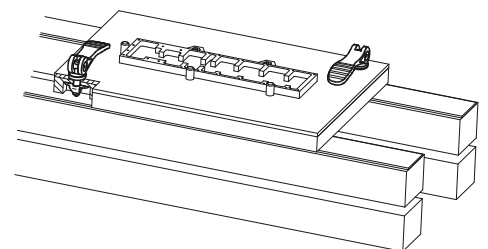
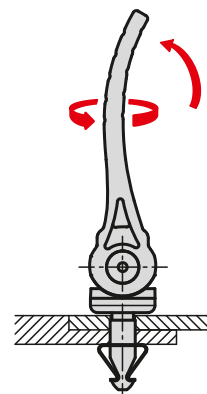
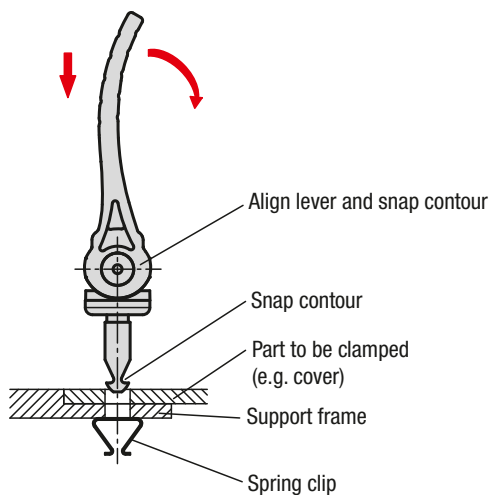
A sheet metal element can be positioned by engaging the spring clip. The sheet metal element is then clamped using the handle.
Plastics are subject to creeping under load (retardation), this can cause reduced clamping force.



Installation instructions for cam levers with quick lock

Push in to install
Swivel grip down to clamp

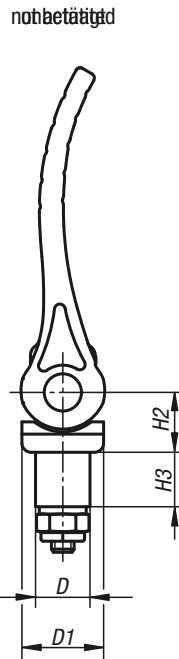
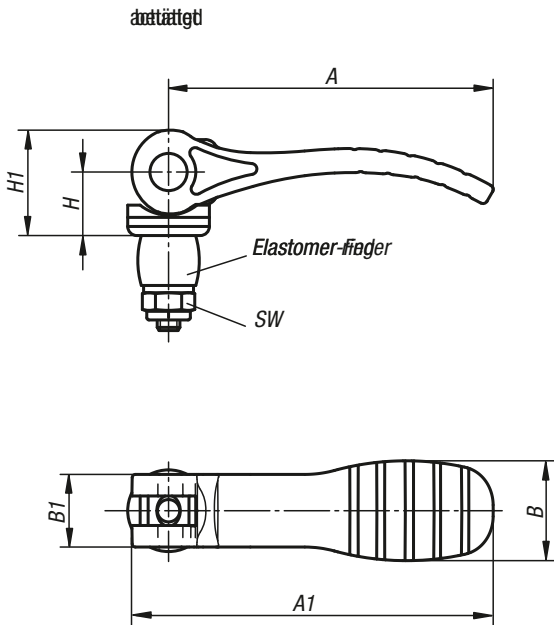
Swivel grip up and twist to loosen



KIPP Cam levers with quick lock

Order No.	A	A1	B	H	H1	X Material thickness	Clamping force ca. N
K0751.121107X2	71,5	79,6	22	14	23,4	1,9 - 2,3	500
K0751.121107X4	71,5	79,6	22	14	23,4	3,9 - 4,3	500
K0751.121107X6	71,5	79,6	22	14	23,4	5,9 - 6,3	500
K0751.121107X8	71,5	79,6	22	14	23,4	7,9 - 8,3	500

Cam levers with elastomer lock



Material:

Handle and thrust washer fibreglass reinforced plastic PA 66.
Hinge pin 1.4305 stainless steel.
Stud and washer steel grade 5.8.
Expanding bush PUR elastomer.

Version:

Handles and thrust washer black.
Hinge pins bright.
Screw, washer, locknut and thrust washer trivalent blue passivated.

Sample order:

K0118.121112X12

Note:

Actuating the handle causes the elastomer bush to expand and form to the surrounding surface. The amount of expansion of the elastomer bush and hence the clamping force can be adjusted by tightening or loosening the locknut. The thread lock in the nut also ensures that the preset clamping force remains unchanged when the clamp is released.

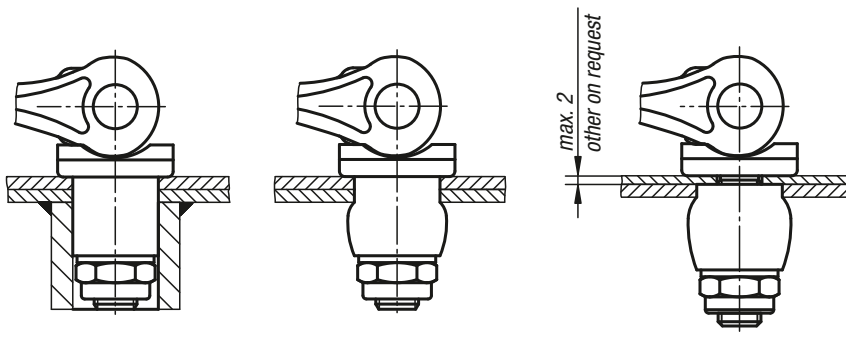
Application:

The specified holding forces are not suitable for constant loads. We would be happy to supply samples to test on your application.

Full bore clamping

Sheet metal clamping 1

Sheet metal clamping 2



KIPP Cam levers with elastomer lock

Order No.	D	D1	B	B1	H	H1	H2	H3	A	A1	SW	Clamping force ca. N clamp bore (no permanent load)	Clamping force ca. N plate clamping (no permanent load)
K0118.121112X12	12	18,1	22	16	14	23,2	12,85	12	71,5	79,6	10	100	50
K0118.121114X12	14	18,1	22	16	14	23,2	12,85	12	71,5	79,6	10	150	60
K0118.221116X20	16	27,1	33	24	16,2	27,8	14,7	20	99,9	110	13	350	60
K0118.221118X20	18	27,1	33	24	16,2	27,8	14,7	20	99,9	110	13	350	100
K0118.221120X20	20	27,1	33	24	16,2	27,8	14,7	20	99,9	110	16	350	100