

Tube inserts round with tapped bush

Item description/product images



Description

Material:

Body fibreglass reinforced thermoplastic.
Threaded insert brass.

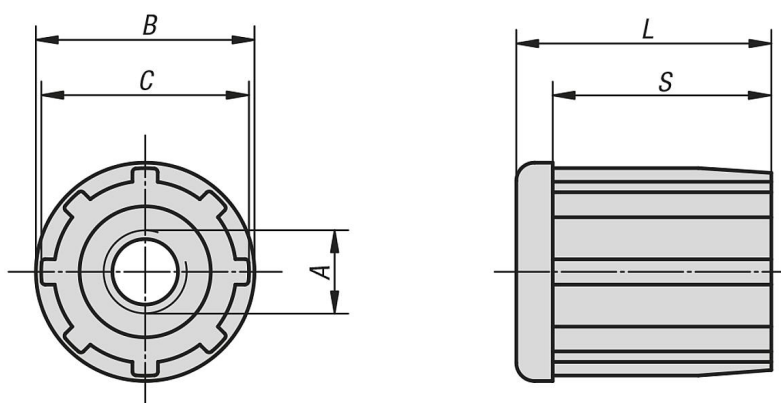
Version:

Insert black.
Tapped bush nickel-plated.

Note:

Threaded round inserts for attaching levelling feet, swivel feet and castors to round tubes.

Drawings



Overview of items

Tube inserts round with tapped bush

| Order No. | A | B | C | L | S | Suitable for tubes | Load rating max. kN |
|--------------|-----|----|------|----|----|--------------------|------------------------|
| K0431.103010 | M10 | 30 | 28,4 | 33 | 27 | Ø 30 x 1 | 5 |
| K0431.123010 | M12 | 30 | 28,4 | 33 | 27 | Ø 30 x 1 | 5 |
| K0431.143010 | M14 | 30 | 28,4 | 33 | 27 | Ø 30 x 1 | 5 |
| K0431.163010 | M16 | 30 | 28,4 | 33 | 27 | Ø 30 x 1 | 5 |
| K0431.103815 | M10 | 38 | 35,5 | 43 | 35 | Ø 38 x 1,5 | 5 |
| K0431.123815 | M12 | 38 | 35,5 | 43 | 35 | Ø 38 x 1,5 | 5 |
| K0431.163815 | M16 | 38 | 35,5 | 43 | 35 | Ø 38 x 1,5 | 5 |
| K0431.104215 | M10 | 42 | 39,9 | 43 | 35 | Ø 42,4 x 1,5 | 6 |
| K0431.124215 | M12 | 42 | 39,9 | 43 | 35 | Ø 42,4 x 1,5 | 6 |
| K0431.164215 | M16 | 42 | 39,9 | 43 | 35 | Ø 42,4 x 1,5 | 6 |
| K0431.124815 | M12 | 48 | 45,8 | 55 | 44 | Ø 48,3 x 1,5 | 6 |
| K0431.144815 | M14 | 48 | 45,8 | 55 | 44 | Ø 48,3 x 1,5 | 6 |
| K0431.164815 | M16 | 48 | 45,8 | 55 | 44 | Ø 48,3 x 1,5 | 6 |
| K0431.204815 | M20 | 48 | 45,8 | 55 | 44 | Ø 48,3 x 1,5 | 6 |
| K0431.125015 | M12 | 50 | 48,4 | 55 | 44 | Ø 50,9 x 1,5 | 6 |
| K0431.145015 | M14 | 50 | 48,4 | 55 | 44 | Ø 50,9 x 1,5 | 6 |
| K0431.165015 | M16 | 50 | 48,4 | 55 | 44 | Ø 50,9 x 1,5 | 6 |
| K0431.205015 | M20 | 50 | 48,4 | 55 | 44 | Ø 50,9 x 1,5 | 6 |

