

Profile half-cylinder lock for swivel grips

Item description/product images



Description

Material:

Profile half-cylinder lock brass, zinc or plastic.

Version:

Nickel-plated zinc.

Note:

The profile half-cylinder lock can be used in combination with the swivel grip. The profile half-cylinder lock is mounted into the swivel grip and used to lock e.g. switch boxes. This cylinder lock is a half-cylinder lock, which means that it can only be locked and unlocked from one side (outside).

Form A: The Form A profile half-cylinder locks are supplied with two keys. These locks are individual-keyed, i.e. each lock can only be locked or unlocked using the two keys supplied.

Form B: The Form B profile half-cylinder locks are supplied with two keys. These locks have a single key system, i.e. they can all be opened using the same key (cylinder lock 1333).

Form C: Profile half-cylinder locks with 3 mm double lug actuation.

Form D: Profile half-cylinder locks with 5 mm double lug actuation.

Form E: Profile half-cylinder locks with 6 mm square actuation.

Form F: Profile half-cylinder locks with 7 mm square actuation.

Form G: Profile half-cylinder locks with 8 mm square actuation.

Form H: Profile half-cylinder locks with 6 mm triangular actuation.

Form I: Profile half-cylinder locks with 10 mm triangular actuation.

Form J: Profile half-cylinder locks with 7 mm triangular actuation.

Form K: Profile half-cylinder locks with 8 mm triangular actuation.

Form L: Profile half-cylinder locks with slot.

Form M: Moulded insert.

Form N: Moulded insert, self-engaging.

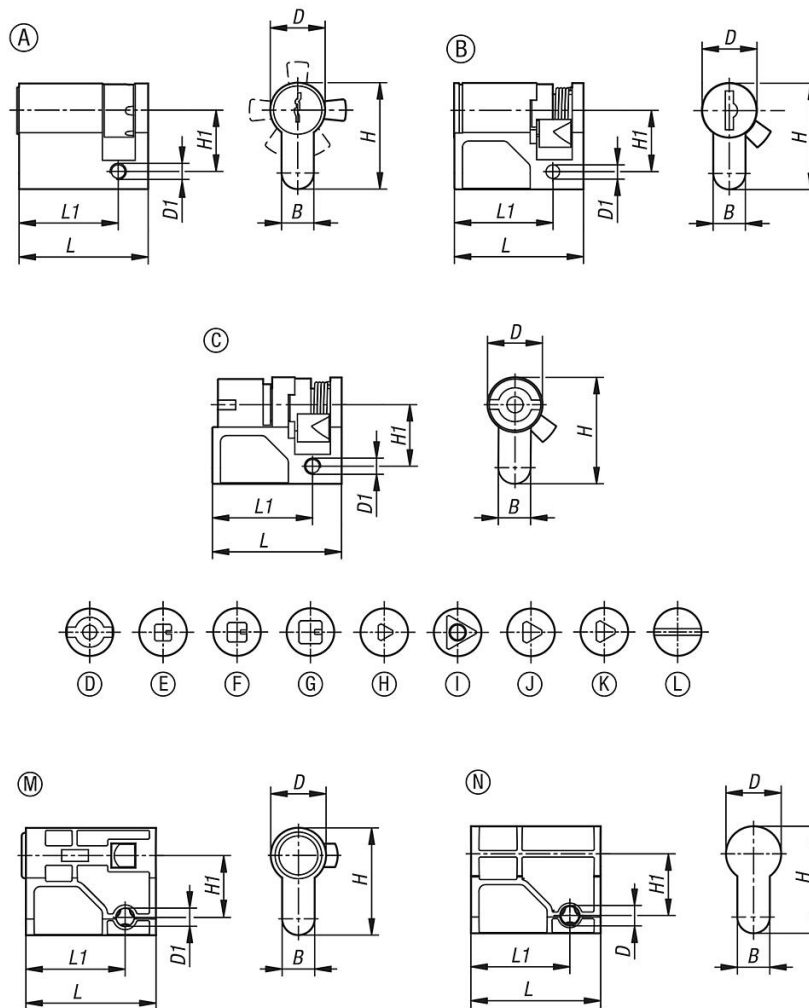
Accessory:

K2268 Plastic swivel grip for profile cylinder lock.

K2269 Plastic swivel grip.

Profile half-cylinder lock for swivel grips

Drawings



Overview of items

Profile half-cylinder lock for swivel grips

Order No.	Item	Version 1	Form	Main material	Actuation	B	D	D1	H	H1	L	L1
K2270.00	Profile half-cylinder lock	individual keys	A	brass	key	10	17	M5	33	19	40	31
K2270.01	Profile half-cylinder lock	single-key system	B	zinc	key	10	17	M5	33	19	40	30,5
K2270.02	Profile half-cylinder lock	Moulded insert lock	C	zinc	double lug 3 mm	10	17	M5	33	19	40	31
K2270.03	Profile half-cylinder lock	Moulded insert lock	D	zinc	double lug 5 mm	10	17	M5	33	19	40	31
K2270.04	Profile half-cylinder lock	Moulded insert lock	E	zinc	square 6 mm	10	17	M5	33	19	40	31
K2270.05	Profile half-cylinder lock	Moulded insert lock	F	zinc	square 7 mm	10	17	M5	33	19	40	31
K2270.06	Profile half-cylinder lock	Moulded insert lock	G	zinc	square 8 mm	10	17	M5	33	19	40	31
K2270.07	Profile half-cylinder lock	Moulded insert lock	H	zinc	triangle 6 mm	10	17	M5	33	19	40	31
K2270.08	Profile half-cylinder lock	Moulded insert lock	I	zinc	-	10	17	M5	33	19	40	31
K2270.09	Profile half-cylinder lock	Moulded insert lock	J	zinc	triangle 7 mm	10	17	M5	33	19	40	31
K2270.10	Profile half-cylinder lock	Moulded insert lock	K	zinc	triangle 8 mm	10	17	M5	33	19	40	31
K2270.11	Profile half-cylinder lock	Moulded insert lock	L	zinc	slot	10	17	M5	33	19	40	31
K2270.12	Moulded insert.	Blind plugs	M	GF30	-	10	17	5,5	33	19	40	30,5
K2270.13	Moulded insert.	Blind plugs	N	GF30	-	10	17	5,5	33	19	40	30,5

