

Lateral spring plungers with seal, thrust pin and spring steel

Item description/product images



Description

Material:

Sleeve in aluminium; spring in steel; pressure pin in steel

Version:

Steel thrust pin hardened and electro zinc-plated.

Sleeve blue electro zinc-plated.

Note:

Lateral spring plungers are for positioning, clamping, holding and securing workpieces and parts for engraving, labelling, drilling, reaming, tapping, honing, grinding, welding, soldering, assembling, mounting etc.

Suitable eccentric adjustment bush see K0369.

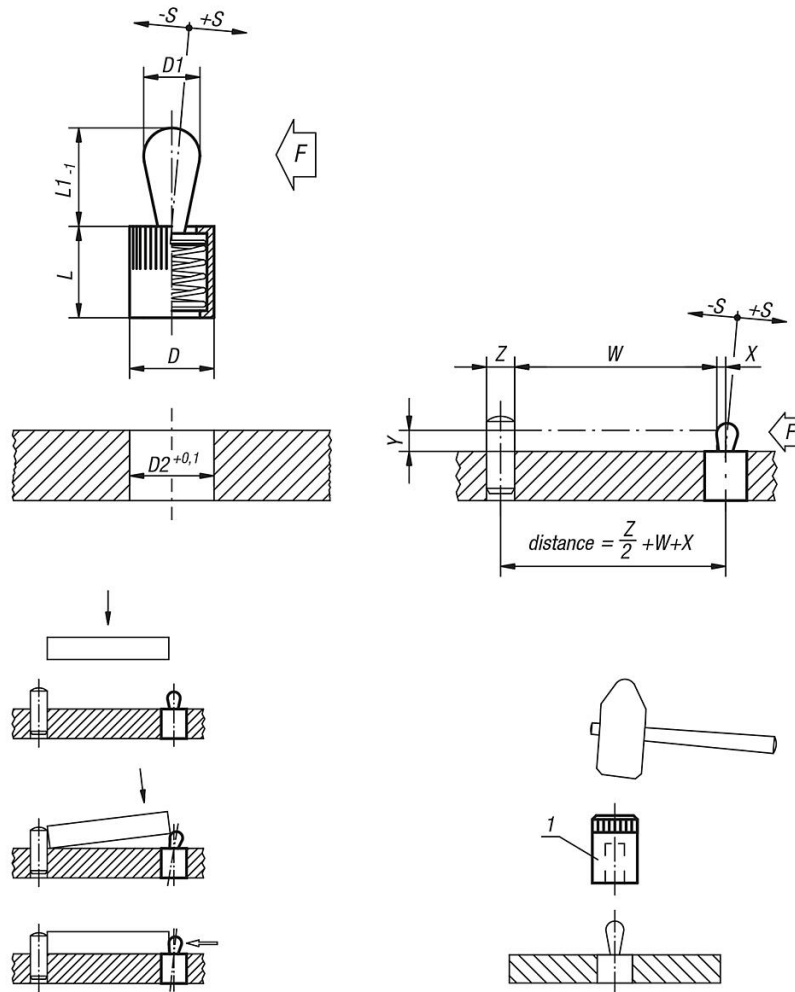
W and Z are customer specified.

Drawing reference:

1) assembly tool

Lateral spring plungers with seal, thrust pin and spring steel

Drawings



Overview of items

Order No.	D	D1	L	L1	D2	±S	F ca.N	X if Y = 1	X if Y = 2	X if Y = 3	X if Y = 4.5	X if Y = 6	X if Y = 8	Order No. assembly tool
K0368.22034	6	3	7	4	6	0,5	10	0,8	1	1	1	1	1	K0369.03
K0368.22036	6	3	7	4	6	0,5	20	0,8	1	1	1	1	1	K0369.03
K0368.22038	6	3	7	4	6	0,5	40	0,8	1	1	1	1	1	K0369.03
K0368.22054	10	5	12	6	10	0,8	20	-	1,5	1,7	1,7	1,7	1,7	K0369.05
K0368.22056	10	5	12	6	10	0,8	50	-	1,5	1,7	1,7	1,7	1,7	K0369.05
K0368.22058	10	5	12	6	10	0,8	100	-	1,5	1,7	1,7	1,7	1,7	K0369.05
K0368.22064	10	6	12	10	10	1	40	-	-	-	1,7	1,9	1,9	K0369.05
K0368.22066	10	6	12	10	10	1	75	-	-	-	1,7	1,9	1,9	K0369.05
K0368.22068	10	6	12	10	10	1	100	-	-	-	1,7	1,9	1,9	K0369.05
K0368.22084	12	8	14	13	12	1,3	50	-	-	-	-	2,5	2,7	K0369.08
K0368.22086	12	8	14	13	12	1,3	100	-	-	-	-	2,5	2,7	K0369.08
K0368.22088	12	8	14	13	12	1,3	150	-	-	-	-	2,5	2,7	K0369.08
K0368.22104	16	10	18	16	16	1,6	100	-	-	-	-	-	3,1	K0369.10
K0368.22106	16	10	18	16	16	1,6	150	-	-	-	-	-	3,1	K0369.10
K0368.22108	16	10	18	16	16	1,6	200	-	-	-	-	-	3,1	K0369.10

Lateral spring plungers with seal, thrust pin and spring steel

Overview of items
