

Clamping levers, steel with external thread, satin finish

Item description/product images



lift to
disengage



Description

Material:

Handle steel 1.0401.

All other steel parts grade 5.8.

Version:

Handle powder-coated.

Steel parts black oxidised.

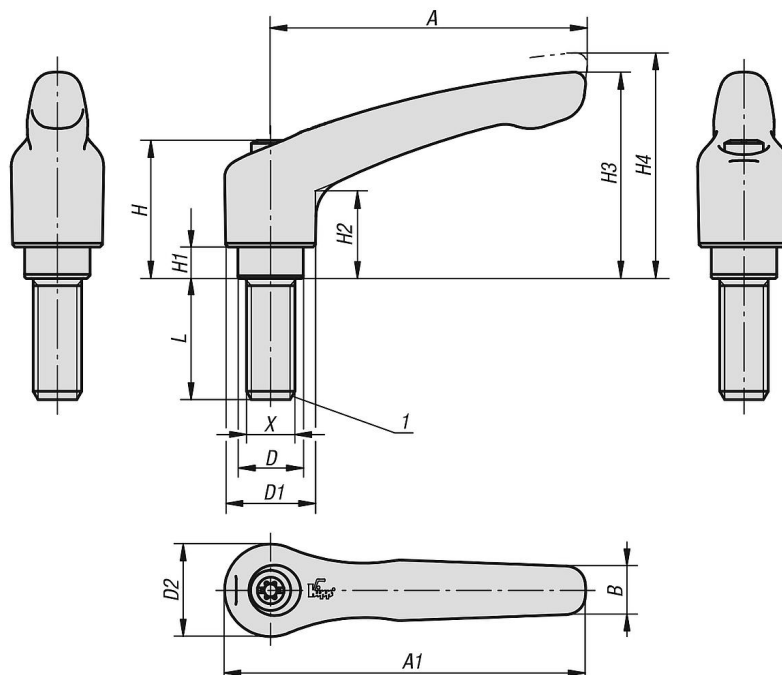
Note:

Where $L \geq 60$ mm the thread length is always 60 mm.

Drawing reference:

1) flat point DIN EN ISO 4753

Drawings



Clamping levers, steel with external thread, satin finish

Overview of items

Order No.	Size	Main colour	Surface finish body	X	L	D	D1	D2	B	A	A1	H	H1	H2	H3	H4	No. of teeth
K0752.3101X35	3	jet black RAL 9005	satin finish	M10	35	16	21	22	11	80	91	37	10	24	54,5	58,5	22
K0752.3101X40	3	jet black RAL 9005	satin finish	M10	40	16	21	22	11	80	91	37	10	24	54,5	58,5	22
K0752.3101X45	3	jet black RAL 9005	satin finish	M10	45	16	21	22	11	80	91	37	10	24	54,5	58,5	22
K0752.3101X50	3	jet black RAL 9005	satin finish	M10	50	16	21	22	11	80	91	37	10	24	54,5	58,5	22
K0752.3101X55	3	jet black RAL 9005	satin finish	M10	55	16	21	22	11	80	91	37	10	24	54,5	58,5	22
K0752.3101X60	3	jet black RAL 9005	satin finish	M10	60	16	21	22	11	80	91	37	10	24	54,5	58,5	22
K0752.4101X20	4	jet black RAL 9005	satin finish	M10	20	19	27	27,5	13	95	109	43	10	27	63	67,5	24
K0752.4101X25	4	jet black RAL 9005	satin finish	M10	25	19	27	27,5	13	95	109	43	10	27	63	67,5	24
K0752.4101X30	4	jet black RAL 9005	satin finish	M10	30	19	27	27,5	13	95	109	43	10	27	63	67,5	24
K0752.4101X35	4	jet black RAL 9005	satin finish	M10	35	19	27	27,5	13	95	109	43	10	27	63	67,5	24
K0752.4101X40	4	jet black RAL 9005	satin finish	M10	40	19	27	27,5	13	95	109	43	10	27	63	67,5	24
K0752.4101X45	4	jet black RAL 9005	satin finish	M10	45	19	27	27,5	13	95	109	43	10	27	63	67,5	24
K0752.4101X50	4	jet black RAL 9005	satin finish	M10	50	19	27	27,5	13	95	109	43	10	27	63	67,5	24
K0752.4101X55	4	jet black RAL 9005	satin finish	M10	55	19	27	27,5	13	95	109	43	10	27	63	67,5	24
K0752.4101X60	4	jet black RAL 9005	satin finish	M10	60	19	27	27,5	13	95	109	43	10	27	63	67,5	24
K0752.4101X70	4	jet black RAL 9005	satin finish	M10	70	19	27	27,5	13	95	109	43	10	27	63	67,5	24
K0752.4101X80	4	jet black RAL 9005	satin finish	M10	80	19	27	27,5	13	95	109	43	10	27	63	67,5	24
K0752.4101X90	4	jet black RAL 9005	satin finish	M10	90	19	27	27,5	13	95	109	43	10	27	63	67,5	24
K0752.4121X20	4	jet black RAL 9005	satin finish	M12	20	19	27	27,5	13	95	109	43	10	27	63	67,5	24
K0752.4121X25	4	jet black RAL 9005	satin finish	M12	25	19	27	27,5	13	95	109	43	10	27	63	67,5	24
K0752.4121X30	4	jet black RAL 9005	satin finish	M12	30	19	27	27,5	13	95	109	43	10	27	63	67,5	24
K0752.4121X35	4	jet black RAL 9005	satin finish	M12	35	19	27	27,5	13	95	109	43	10	27	63	67,5	24
K0752.4121X40	4	jet black RAL 9005	satin finish	M12	40	19	27	27,5	13	95	109	43	10	27	63	67,5	24
K0752.4121X45	4	jet black RAL 9005	satin finish	M12	45	19	27	27,5	13	95	109	43	10	27	63	67,5	24
K0752.4121X50	4	jet black RAL 9005	satin finish	M12	50	19	27	27,5	13	95	109	43	10	27	63	67,5	24
K0752.4121X55	4	jet black RAL 9005	satin finish	M12	55	19	27	27,5	13	95	109	43	10	27	63	67,5	24
K0752.4121X60	4	jet black RAL 9005	satin finish	M12	60	19	27	27,5	13	95	109	43	10	27	63	67,5	24
K0752.4121X70	4	jet black RAL 9005	satin finish	M12	70	19	27	27,5	13	95	109	43	10	27	63	67,5	24
K0752.4121X80	4	jet black RAL 9005	satin finish	M12	80	19	27	27,5	13	95	109	43	10	27	63	67,5	24
K0752.4121X90	4	jet black RAL 9005	satin finish	M12	90	19	27	27,5	13	95	109	43	10	27	63	67,5	24
K0752.5121X25	5	jet black RAL 9005	satin finish	M12	25	23	31	32	15	110	126	49	12	31,5	73	77,5	26
K0752.5121X30	5	jet black RAL 9005	satin finish	M12	30	23	31	32	15	110	126	49	12	31,5	73	77,5	26
K0752.5121X35	5	jet black RAL 9005	satin finish	M12	35	23	31	32	15	110	126	49	12	31,5	73	77,5	26
K0752.5121X40	5	jet black RAL 9005	satin finish	M12	40	23	31	32	15	110	126	49	12	31,5	73	77,5	26
K0752.5121X45	5	jet black RAL 9005	satin finish	M12	45	23	31	32	15	110	126	49	12	31,5	73	77,5	26
K0752.5121X50	5	jet black RAL 9005	satin finish	M12	50	23	31	32	15	110	126	49	12	31,5	73	77,5	26
K0752.5121X55	5	jet black RAL 9005	satin finish	M12	55	23	31	32	15	110	126	49	12	31,5	73	77,5	26
K0752.5121X60	5	jet black RAL 9005	satin finish	M12	60	23	31	32	15	110	126	49	12	31,5	73	77,5	26
K0752.5121X70	5	jet black RAL 9005	satin finish	M12	70	23	31	32	15	110	126	49	12	31,5	73	77,5	26
K0752.5121X80	5	jet black RAL 9005	satin finish	M12	80	23	31	32	15	110	126	49	12	31,5	73	77,5	26
K0752.5121X90	5	jet black RAL 9005	satin finish	M12	90	23	31	32	15	110	126	49	12	31,5	73	77,5	26
K0752.5161X25	5	jet black RAL 9005	satin finish	M16	25	23	31	32	15	110	126	49	12	31,5	73	77,5	26
K0752.5161X30	5	jet black RAL 9005	satin finish	M16	30	23	31	32	15	110	126	49	12	31,5	73	77,5	26
K0752.5161X35	5	jet black RAL 9005	satin finish	M16	35	23	31	32	15	110	126	49	12	31,5	73	77,5	26
K0752.5161X40	5	jet black RAL 9005	satin finish	M16	40	23	31	32	15	110	126	49	12	31,5	73	77,5	26
K0752.5161X45	5	jet black RAL 9005	satin finish	M16	45	23	31	32	15	110	126	49	12	31,5	73	77,5	26
K0752.5161X50	5	jet black RAL 9005	satin finish	M16	50	23	31	32	15	110	126	49	12	31,5	73	77,5	26
K0752.5161X55	5	jet black RAL 9005	satin finish	M16	55	23	31	32	15	110	126	49	12	31,5	73	77,5	26
K0752.5161X60	5	jet black RAL 9005	satin finish	M16	60	23	31	32	15	110	126	49	12	31,5	73	77,5	26
K0752.5161X70	5	jet black RAL 9005	satin finish	M16	70	23	31	32	15	110	126	49	12	31,5	73	77,5	26
K0752.5161X80	5	jet black RAL 9005	satin finish	M16	80	23	31	32	15	110	126	49	12	31,5	73	77,5	26
K0752.5161X90	5	jet black RAL 9005	satin finish	M16	90	23	31	32	15	110	126	49	12	31,5	73	77,5	26

