

## Clamping levers with internal thread, steel parts stainless steel, satin finish

Item description/product images



lift to  
disengage



### Description

**Material:**

Handle die-cast zinc DIN EN 12844.

Steel parts stainless steel 1.4305.

**Version:**

Handle, powder-coated.

Steel parts bright.

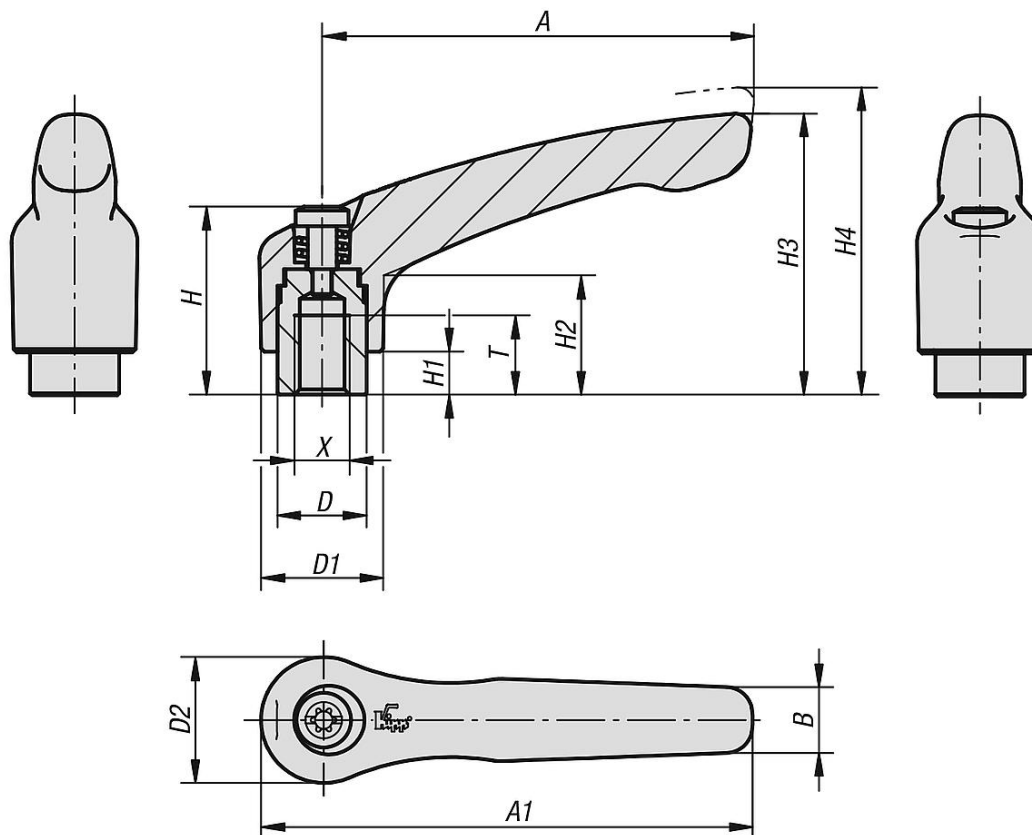
**On request:**

Other threads, colours and special versions.

Dimension "H1" available in other lengths at extra charge.

Clamping levers with internal thread, steel parts stainless steel, satin finish

Drawings



Overview of items

Order No.	Main colour	Surface finish body	Size	X	T	D	D1	D2	H	H1	H2	H3	H4	A	A1	B	No. of teeth
K0123.0031	jet black RAL 9005	satin finish	0	M3	9	10	13	14	24,5	4	14,5	30	33	30	37	7	16
K0123.0041	jet black RAL 9005	satin finish	0	M4	9	10	13	14	24,5	4	14,5	30	33	30	37	7	16
K0123.0051	jet black RAL 9005	satin finish	0	M5	9	10	13	14	24,5	4	14,5	30	33	30	37	7	16
K0123.1041	jet black RAL 9005	satin finish	1	M4	9	10	13	14	24,5	4	14,5	31	34	40	47	7	16
K0123.1051	jet black RAL 9005	satin finish	1	M5	9	10	13	14	24,5	4	14,5	31	34	40	47	7	16
K0123.1061	jet black RAL 9005	satin finish	1	M6	9	10	13	14	24,5	4	14,5	31	34	40	47	7	16
K0123.2061	jet black RAL 9005	satin finish	2	M6	12	13,5	18,5	19	28,5	6,5	17,5	42,5	45,5	65	74,5	9,5	20
K0123.2081	jet black RAL 9005	satin finish	2	M8	12	13,5	18,5	19	28,5	6,5	17,5	42,5	45,5	65	74,5	9,5	20
K0123.3081	jet black RAL 9005	satin finish	3	M8	14	16	21	22	37	10	24	54,5	58,5	80	91	11	22
K0123.3101	jet black RAL 9005	satin finish	3	M10	14	16	21	22	37	10	24	54,5	58,5	80	91	11	22
K0123.4101	jet black RAL 9005	satin finish	4	M10	17	19	27	27,5	43	10	27	63	67,5	95	109	13	24
K0123.4121	jet black RAL 9005	satin finish	4	M12	17	19	27	27,5	43	10	27	63	67,5	95	109	13	24
K0123.5121	jet black RAL 9005	satin finish	5	M12	23	23	31	32	49	12	31,5	73	77,5	110	126	15	26
K0123.5161	jet black RAL 9005	satin finish	5	M16	23	23	31	32	49	12	31,5	73	77,5	110	126	15	26