

Thrust pads with retaining pin

Item description/product images



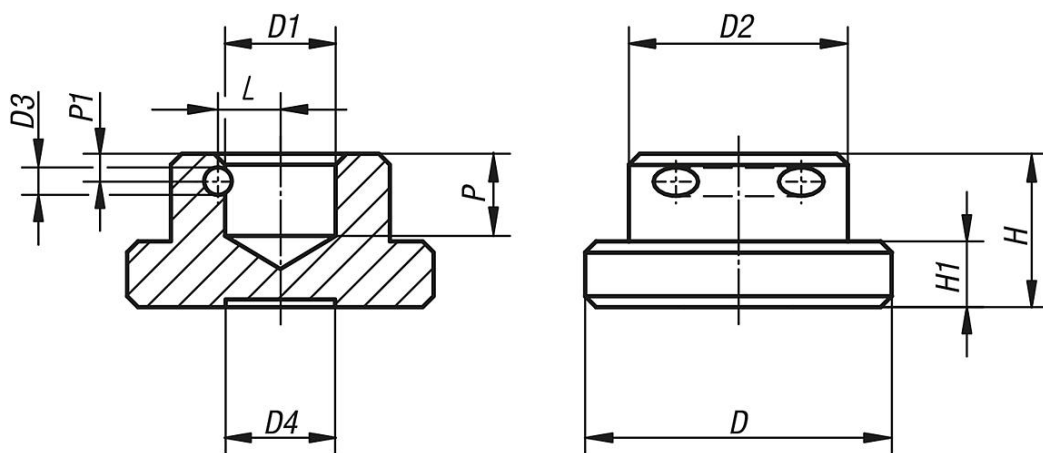
Description

Material:
Steel.

Version:
Case-hardened and black oxidised.

Note:
The pin is used to hold the pad on screw K0390.

Drawings



Overview of items

Spring plungers with locking pin

Order No.	D	D1	D2	D3	D4	H	H1	L	P	P1
K1916.06	12	4,6	10	2	5	7	2,5	3	4	1,6
K1916.08	16	6,1	12	2	7	9	4	3,5	5	2
K1916.10	20	8,1	15	2	8	11	5	4,6	7	2,7
K1916.12	25	8,1	18	2	10	13	6	4,6	7	2,7
K1916.14	28	-	20	2,5	10	14	6	5,7	7,5	2,5
K1916.16	32	12,1	22	2,5	14	15	7	6,7	7,5	2,5
K1916.20	40	15,6	28	2,5	18	16	9	8,3	8	3