

2-spoke handwheels, aluminium, without grip, Form B with reamed hole, keyway and transverse bore

Item description/product images



Description

Material:

Handwheel aluminium.

Hub cover black thermoplastic.

ISO 4027 grub screw, steel grade 45 H, black.

Version:

Black or silver powder-coated.

Note:

Wheel rim radial and axial run-out ≤ 0.4 mm.

Assembly:

The hub cover is supplied unassembled.

The handwheels can be secured to a shaft using a transverse pin or by parallel key connection together with a DIN 6912 cap screw and a handwheel washer K0173.

By the versions with transverse bore, fixation is carried out using an ISO 4027 grub screw.

Supplied with:

Aluminium handwheel.

Hub cover.

ISO 4027 grub screw (type with transverse bore).

Accessory:

K0173 Handwheel washers.

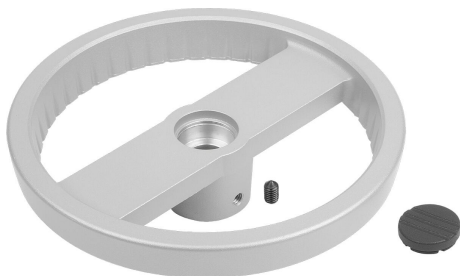
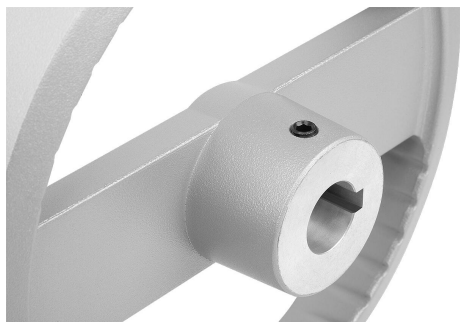
K1160 Socket head screws with low head DIN 6912.

Drawing reference:

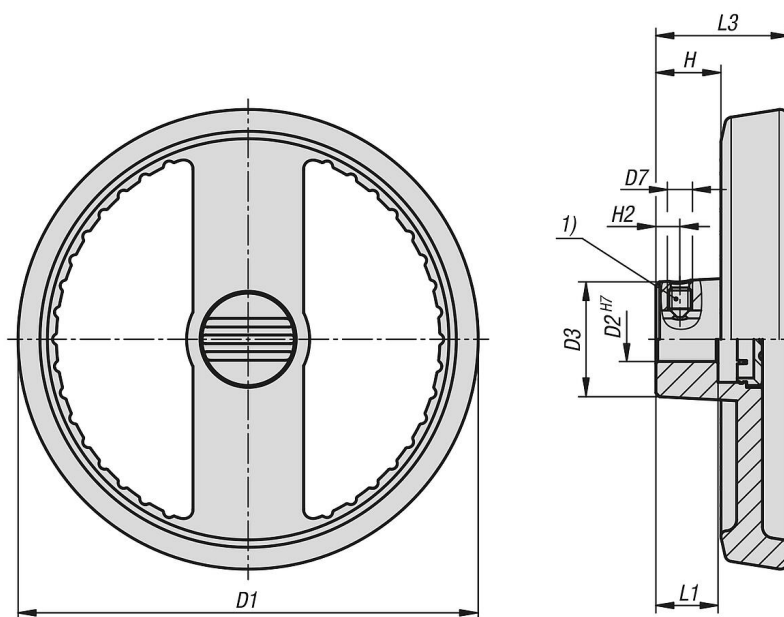
1) Position of the transverse bore to the keyway is offset by 90° .

2-spoke handwheels, aluminium, without grip, Form B with reamed hole, keyway and transverse bore

Item description/product images

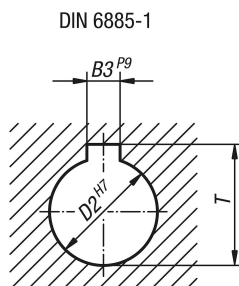


Drawings



2-spoke handwheels, aluminium, without grip, Form B with reamed hole, keyway and transverse bore

Drawings



Overview of items

Order No.	Main colour	Form	Form definition	D1	D2	D3	L1	L3	H	H2	D7	B3	T
K1523.125121046	black	B	reamed hole with slot, with transverse bore	125	12	31	18	36	17,6	6,5	M6	4	13,8
K1523.125141056	black	B	reamed hole with slot, with transverse bore	125	14	31	18	36	17,6	6,5	M6	5	16,3
K1523.160141056	black	B	reamed hole with slot, with transverse bore	160	14	36	20	40	19,4	6,5	M6	5	16,3
K1523.160161056	black	B	reamed hole with slot, with transverse bore	160	16	36	20	40	19,4	8	M6	5	18,3
K1523.125122046	silver	B	reamed hole with slot, with transverse bore	125	12	31	18	36	17,6	6,5	M6	4	13,8
K1523.125142056	silver	B	reamed hole with slot, with transverse bore	125	14	31	18	36	17,6	6,5	M6	5	16,3
K1523.160142056	silver	B	reamed hole with slot, with transverse bore	160	14	36	20	40	19,4	6,5	M6	5	16,3
K1523.160162056	silver	B	reamed hole with slot, with transverse bore	160	16	36	20	40	19,4	8	M6	5	18,3