

Palm grips, antibacterial plastic with protruding steel bush, Form K with tapped bush

Item description/product images



Description

Material:

Reinforced thermoplastic polyamide, antibacterial, slate grey RAL 7015.
Steel parts, stainless steel 1.4305.

Version:

Steel parts bright stainless steel.

Note:

Palm grips with projecting steel bush and internal thread are highly suitable for cross pinning.

Application:

These palm grips have been specially developed for use in applications with high hygienic requirements. The closed grip contour with smooth surfaces are very easy to clean.

The antibacterial KIPP MEDIGrip products are highly effective against a variety of hazardous microorganisms, such as bacteria, fungi and even multi-resistant bacteria (e.g. MRSA).

The plastic used incorporates micro-silver particles with an antibacterial effect to ensure effective results throughout the entire product life cycle.

Function:

Silver ions are effective in preventing harmful microorganisms from forming on the product surface, promoting a constant reduction of the existing germs on the MEDIGrip products (as tested and confirmed by an accredited testing laboratory). During cleaning cycles the risk of infection while touching these products is significantly lower.

Advantages:

Resistant to humidity and cleaning products (during disinfection) with no toxic side effects (bio-compatible).

The palm grips can be tightened or loosened without tools.

Suitable for manual fixing and clamping. Various thread sizes.

On request:

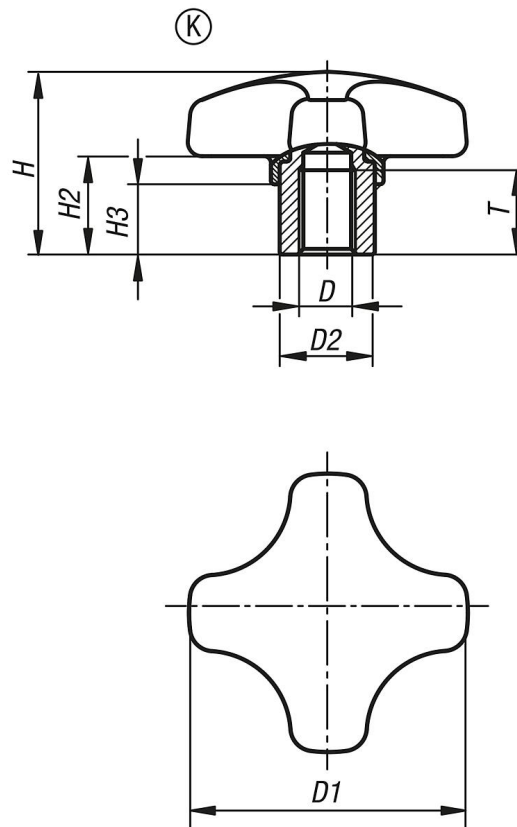
Special versions.

Applications:

For installation on machines, equipment, plants and in areas with increased hygienic requirements (e.g. hospitals, doctors' surgeries, rehabilitation centres and food production facilities). For use in public areas or regularly frequented institutions (i.e. nursing homes or daycare centres).

Palm grips, antibacterial plastic with protruding steel bush, Form K with tapped bush

Drawings



Overview of items

Order No.	Form	Component material	Surface finish component	Main colour	D	D1	D2	H	H2	H3	T
K1794.1225052144	K	stainless steel	bright	slate grey RAL 7015	M5	25	10	18	9	7	9
K1794.1232062144	K	stainless steel	bright	slate grey RAL 7015	M6	32	13,5	22	12	9,5	12
K1794.1240062144	K	stainless steel	bright	slate grey RAL 7015	M6	40	13,5	26	14	10	12
K1794.1240082144	K	stainless steel	bright	slate grey RAL 7015	M8	40	13,5	26	14	10	12
K1794.1250082144	K	stainless steel	bright	slate grey RAL 7015	M8	50	19	32	18	12	17
K1794.1250102144	K	stainless steel	bright	slate grey RAL 7015	M10	50	19	32	18	12	17