

## Palm grips, plastic with protruding steel bush, Form K with tapped bush

### Item description/product images



### Description

#### Material:

Reinforced thermoplastic polyamide, black-grey RAL 7021.  
Steel parts grade 5.8 steel or 1.4305 stainless steel.

#### Version:

Metal parts trivalent blue passivated steel or bright stainless steel.

#### Note:

Palm grips with projecting steel bush and internal thread are highly suitable for cross pinning.

#### Application:

These palm grips have been specially developed for use in applications with high hygienic requirements. The closed grip contour with smooth surfaces are very easy to clean.

#### Advantages:

Resistant to humidity and cleaning products (during disinfection) with no toxic side effects (bio-compatible).

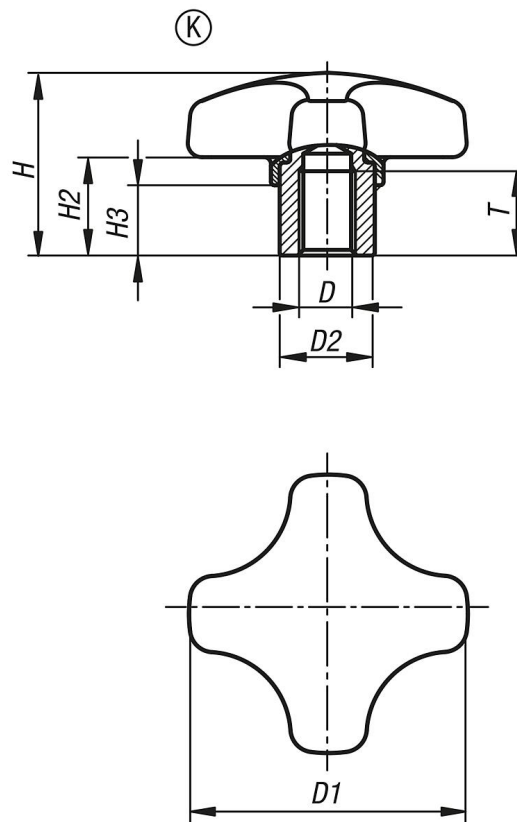
The palm grips can be tightened or loosened without tools.

Suitable for manual fixating and clamping. Various thread sizes.

#### On request:

Special versions.

### Drawings



## Palm grips, plastic with protruding steel bush, Form K with tapped bush

### Overview of items

Order No.	Form	Component material	Surface finish component	Main colour	D	D1	D2	H	H2	H3	T
K1794.250590	K	steel	blue-passivated	black grey	M5	25	10	18	9	7	9
K1794.320690	K	steel	blue-passivated	black grey	M6	32	13,5	22	12	9,5	12
K1794.400690	K	steel	blue-passivated	black grey	M6	40	13,5	26	14	10	12
K1794.400890	K	steel	blue-passivated	black grey	M8	40	13,5	26	14	10	12
K1794.500890	K	steel	blue-passivated	black grey	M8	50	19	32	18	12	17
K1794.501090	K	steel	blue-passivated	black grey	M10	50	19	32	18	12	17
K1794.631090	K	steel	blue-passivated	black grey	M10	63	19	38	21,5	12,5	17
K1794.631290	K	steel	blue-passivated	black grey	M12	63	19	38	21,5	12,5	17
K1794.631690	K	steel	blue-passivated	black grey	M16	63	19	38	21,5	12,5	17
K1794.2505290	K	stainless steel	bright	black grey	M5	25	10	18	9	7	9
K1794.3206290	K	stainless steel	bright	black grey	M6	32	13,5	22	12	9,5	12
K1794.4006290	K	stainless steel	bright	black grey	M6	40	13,5	26	14	10	12
K1794.4008290	K	stainless steel	bright	black grey	M8	40	13,5	26	14	10	12
K1794.5008290	K	stainless steel	bright	black grey	M8	50	19	32	18	12	17
K1794.5010290	K	stainless steel	bright	black grey	M10	50	19	32	18	12	17
K1794.6310290	K	stainless steel	bright	black grey	M10	63	19	38	21,5	12,5	17
K1794.6312290	K	stainless steel	bright	black grey	M12	63	19	38	21,5	12,5	17
K1794.6316290	K	stainless steel	bright	black grey	M16	63	19	38	21,5	12,5	17