

## 2-spoke handwheels, aluminium, without grip, Form A with reamed hole and transverse bore

Item description/product images



### Description

#### Material:

Handwheel aluminium.  
Hub cover black thermoplastic.  
ISO 4027 grub screw, steel grade 45 H, black.

#### Version:

Black or silver powder-coated.

#### Note:

Wheel rim radial and axial run-out  $\leq 0.4$  mm.

#### Assembly:

The hub cover is supplied unassembled.  
The handwheels can be secured to a shaft using a transverse pin or by parallel key connection together with a DIN 6912 cap screw and a handwheel washer K0173.  
By the versions with transverse bore, fixation is carried out using an ISO 4027 grub screw.

#### Supplied with:

Aluminium handwheel.  
Hub cover.  
ISO 4027 grub screw (type with transverse bore).

#### Accessory:

K0173 Handwheel washers.  
K1160 Socket head screws with low head DIN 6912.

#### Drawing reference:

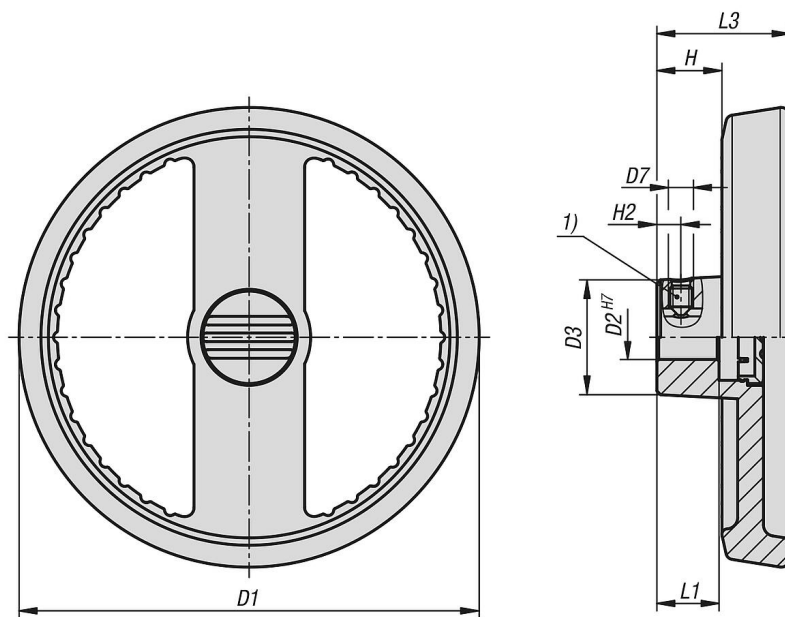
1) Position of the transverse bore to the keyway is offset by 90°.

2-spoke handwheels, aluminium, without grip, Form A with reamed hole and transverse bore

Item description/product images



Drawings



## 2-spoke handwheels, aluminium, without grip, Form A with reamed hole and transverse bore

### Overview of items

Order No.	Main colour	Form	Form definition	D1	D2	D3	L1	L3	H	H2	D7
K1523.1251216	black	A	reamed hole with tranverse bore	125	12	31	18	36	17,6	6,5	M6
K1523.1251416	black	A	reamed hole with tranverse bore	125	14	31	18	36	17,6	6,5	M6
K1523.1601416	black	A	reamed hole with tranverse bore	160	14	36	20	40	19,4	6,5	M6
K1523.1601616	black	A	reamed hole with tranverse bore	160	16	36	20	40	19,4	8	M6
K1523.1251226	silver	A	reamed hole with tranverse bore	125	12	31	18	36	17,6	6,5	M6
K1523.1251426	silver	A	reamed hole with tranverse bore	125	14	31	18	36	17,6	6,5	M6
K1523.1601426	silver	A	reamed hole with tranverse bore	160	14	36	20	40	19,4	6,5	M6
K1523.1601626	silver	A	reamed hole with tranverse bore	160	16	36	20	40	19,4	8	M6