

## Disc handwheels, aluminium with fold-down cylindrical grip, Form A with reamed hole and transverse bore

Item description/product images



### Description

#### Material:

Handwheel aluminium.  
Cylinder grip and hub cover black thermoplastic.  
Cylinder grip pin black oxidised steel.  
ISO 4027 grub screw, steel grade 45 H, black.

#### Version:

Black or silver powder-coated.

#### Note:

Wheel rim radial and axial run-out  $\leq 0.4$  mm.

#### Assembly:

The hub cover is supplied unassembled.  
The handwheels can be secured to a shaft using a transverse pin or by parallel key connection together with a DIN 6912 cap screw and a handwheel washer K0173.  
By the versions with transverse bore, fixation is carried out using an ISO 4027 grub screw.

#### Supplied with:

Aluminium handwheel.  
Hub cover.  
Fold-down cylinder grip.  
ISO 4027 grub screw (type with transverse bore).

#### Accessory:

K0173 Handwheel washers.  
K1160 Socket head screws with low head DIN 6912.

#### Drawing reference:

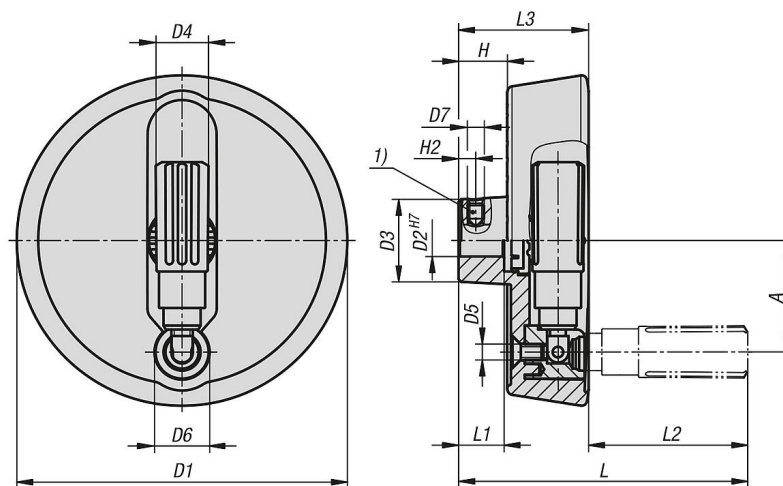
1) Position of the transverse bore to the keyway is offset by 90°.

## Disc handwheels, aluminium with fold-down cylindrical grip, Form A with reamed hole and transverse bore

Item description/product images



### Drawings



### Overview of items

Order No.	Main colour	Form	Form definition	A	D1	D2	D3	D4	D5	D6	D7	H	H2	L	L1	L2	L3
K1522.1001016	black	A	reamed hole with transverse bore	33	100	10	28	16	M5	16	M6	17,4	5,5	92,5	17	47,5	45
K1522.1001216	black	A	reamed hole with transverse bore	33	100	12	28	16	M5	16	M6	17,4	6,5	92,5	17	47,5	45
K1522.1251216	black	A	reamed hole with transverse bore	42	125	12	31	19,9	M6	20	M6	18,3	6,5	105,5	18	56,5	49

## Disc handwheels, aluminium with fold-down cylindrical grip, Form A with reamed hole and transverse bore

### Overview of items

Order No.	Main colour	Form	Form definition	A	D1	D2	D3	D4	D5	D6	D7	H	H2	L	L1	L2	L3
K1522.1251416	black	A	reamed hole with transverse bore	42	125	14	31	19,9	M6	20	M6	18,3	6,5	105,5	18	56,5	49
K1522.1001026	silver	A	reamed hole with transverse bore	33	100	10	28	16	M5	16	M6	17,4	5,5	92,5	17	47,5	45
K1522.1001226	silver	A	reamed hole with transverse bore	33	100	12	28	16	M5	16	M6	17,4	6,5	92,5	17	47,5	45
K1522.1251226	silver	A	reamed hole with transverse bore	42	125	12	31	19,9	M6	20	M6	18,3	6,5	105,5	18	56,5	49
K1522.1251426	silver	A	reamed hole with transverse bore	42	125	14	31	19,9	M6	20	M6	18,3	6,5	105,5	18	56,5	49