

Button head screws EN ISO 7380

Item description/product images



Description

Material:

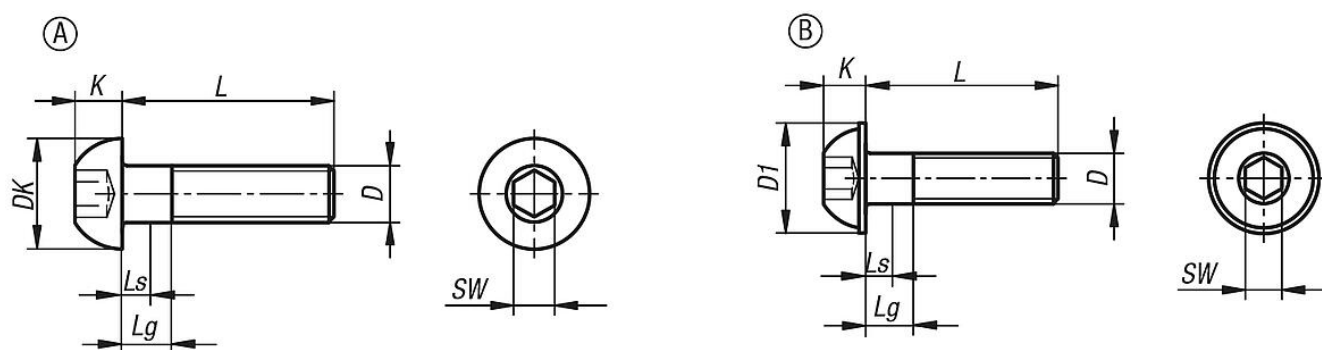
Steel, stainless steel A2 or stainless steel A4.

Note:

EN ISO 7380-1 Form A: Hexagon socket button head screws.

EN ISO 7380-2 Form B: Hexagon socket button head screws with collar.

Drawings



Overview of items

Button head screws EN ISO 7380

Order No.	Form	Main material	Surface finish body	Grade	D	L	Ls min.	Lg max.	DK	D1	K	SW
K1796.1303X8	A	steel	bright (black)	10.9	M3	8	0	1,5	5,7	-	1,65	2
K1796.1303X10	A	steel	bright (black)	10.9	M3	10	0	1,5	5,7	-	1,65	2
K1796.1303X12	A	steel	bright (black)	10.9	M3	12	0	1,5	5,7	-	1,65	2
K1796.1303X16	A	steel	bright (black)	10.9	M3	16	0	1,5	5,7	-	1,65	2
K1796.1303X20	A	steel	bright (black)	10.9	M3	20	0	1,5	5,7	-	1,65	2
K1796.1304X8	A	steel	bright (black)	10.9	M4	8	0	2,1	7,6	-	2,2	2,5
K1796.1304X10	A	steel	bright (black)	10.9	M4	10	0	2,1	7,6	-	2,2	2,5
K1796.1304X12	A	steel	bright (black)	10.9	M4	12	0	2,1	7,6	-	2,2	2,5
K1796.1304X16	A	steel	bright (black)	10.9	M4	16	0	2,1	7,6	-	2,2	2,5
K1796.1304X20	A	steel	bright (black)	10.9	M4	20	0	2,1	7,6	-	2,2	2,5
K1796.1304X25	A	steel	bright (black)	10.9	M4	25	0	2,1	7,6	-	2,2	2,5
K1796.1304X30	A	steel	bright (black)	10.9	M4	30	6,5	10	7,6	-	2,2	2,5
K1796.1305X8	A	steel	bright (black)	10.9	M5	8	0	0,24	9,5	-	2,75	3
K1796.1305X10	A	steel	bright (black)	10.9	M5	10	0	0,24	9,5	-	2,75	3
K1796.1305X12	A	steel	bright (black)	10.9	M5	12	0	0,24	9,5	-	2,75	3
K1796.1305X16	A	steel	bright (black)	10.9	M5	16	0	0,24	9,5	-	2,75	3
K1796.1305X20	A	steel	bright (black)	10.9	M5	20	0	0,24	9,5	-	2,75	3
K1796.1305X25	A	steel	bright (black)	10.9	M5	25	0	0,24	9,5	-	2,75	3
K1796.1305X30	A	steel	bright (black)	10.9	M5	30	4	8	9,5	-	2,75	3
K1796.1305X35	A	steel	bright (black)	10.9	M5	35	9	13	9,5	-	2,75	3
K1796.1305X40	A	steel	bright (black)	10.9	M5	40	14	18	9,5	-	2,75	3
K1796.1306X8	A	steel	bright (black)	10.9	M6	8	0	3	10,5	-	3,3	4
K1796.1306X10	A	steel	bright (black)	10.9	M6	10	0	3	10,5	-	3,3	4
K1796.1306X12	A	steel	bright (black)	10.9	M6	12	0	3	10,5	-	3,3	4
K1796.1306X16	A	steel	bright (black)	10.9	M6	16	0	3	10,5	-	3,3	4
K1796.1306X20	A	steel	bright (black)	10.9	M6	20	0	3	10,5	-	3,3	4
K1796.1306X25	A	steel	bright (black)	10.9	M6	25	0	3	10,5	-	3,3	4
K1796.1306X30	A	steel	bright (black)	10.9	M6	30	0	3	10,5	-	3,3	4

Button head screws EN ISO 7380

Overview of items

Order No.	Form	Main material	Surface finish body	Grade	D	L	Ls min.	Lg max.	DK	D1	K	SW
K1796.1306X35	A	steel	bright (black)	10.9	M6	35	6	11	10,5	-	3,3	4
K1796.1306X40	A	steel	bright (black)	10.9	M6	40	11	16	10,5	-	3,3	4
K1796.1306X45	A	steel	bright (black)	10.9	M6	45	16	21	10,5	-	3,3	4
K1796.1306X50	A	steel	bright (black)	10.9	M6	50	21	26	10,5	-	3,3	4
K1796.1306X55	A	steel	bright (black)	10.9	M6	55	26	31	10,5	-	3,3	4
K1796.1306X60	A	steel	bright (black)	10.9	M6	60	31	36	10,5	-	3,3	4
K1796.1308X8	A	steel	bright (black)	10.9	M8	8	0	3,75	14	-	4,4	5
K1796.1308X10	A	steel	bright (black)	10.9	M8	10	0	3,75	14	-	4,4	5
K1796.1308X12	A	steel	bright (black)	10.9	M8	12	0	3,75	14	-	4,4	5
K1796.1308X16	A	steel	bright (black)	10.9	M8	16	0	3,75	14	-	4,4	5
K1796.1308X20	A	steel	bright (black)	10.9	M8	20	0	3,75	14	-	4,4	5
K1796.1308X25	A	steel	bright (black)	10.9	M8	25	0	3,75	14	-	4,4	5
K1796.1308X30	A	steel	bright (black)	10.9	M8	30	0	3,75	14	-	4,4	5
K1796.1308X35	A	steel	bright (black)	10.9	M8	35	0	3,75	14	-	4,4	5
K1796.1308X40	A	steel	bright (black)	10.9	M8	40	5,75	12	14	-	4,4	5
K1796.1308X45	A	steel	bright (black)	10.9	M8	45	10,75	17	14	-	4,4	5
K1796.1308X50	A	steel	bright (black)	10.9	M8	50	15,75	22	14	-	4,4	5
K1796.1308X55	A	steel	bright (black)	10.9	M8	55	20,75	27	14	-	4,4	5
K1796.1308X60	A	steel	bright (black)	10.9	M8	60	25,75	32	14	-	4,4	5
K1796.1310X12	A	steel	bright (black)	10.9	M10	12	0	4,5	17,5	-	5,5	6
K1796.1310X16	A	steel	bright (black)	10.9	M10	16	0	4,5	17,5	-	5,5	6
K1796.1310X20	A	steel	bright (black)	10.9	M10	20	0	4,5	17,5	-	5,5	6
K1796.1310X25	A	steel	bright (black)	10.9	M10	25	0	4,5	17,5	-	5,5	6
K1796.1310X30	A	steel	bright (black)	10.9	M10	30	0	4,5	17,5	-	5,5	6
K1796.1310X35	A	steel	bright (black)	10.9	M10	35	0	4,5	17,5	-	5,5	6
K1796.1310X40	A	steel	bright (black)	10.9	M10	40	0	4,5	17,5	-	5,5	6
K1796.1310X45	A	steel	bright (black)	10.9	M10	45	5,5	13	17,5	-	5,5	6
K1796.1310X50	A	steel	bright (black)	10.9	M10	50	10,5	18	17,5	-	5,5	6
K1796.1310X55	A	steel	bright (black)	10.9	M10	55	15,5	23	17,5	-	5,5	6
K1796.1310X60	A	steel	bright (black)	10.9	M10	60	20,5	28	17,5	-	5,5	6
K1796.1503X8	A	steel	galvanised	10.9	M3	8	0	1,5	5,7	-	1,65	2
K1796.1503X10	A	steel	galvanised	10.9	M3	10	0	1,5	5,7	-	1,65	2
K1796.1503X12	A	steel	galvanised	10.9	M3	12	0	1,5	5,7	-	1,65	2
K1796.1503X16	A	steel	galvanised	10.9	M3	16	0	1,5	5,7	-	1,65	2
K1796.1503X20	A	steel	galvanised	10.9	M3	20	0	1,5	5,7	-	1,65	2
K1796.1504X8	A	steel	galvanised	10.9	M4	8	0	2,1	7,6	-	2,2	2,5
K1796.1504X10	A	steel	galvanised	10.9	M4	10	0	2,1	7,6	-	2,2	2,5
K1796.1504X12	A	steel	galvanised	10.9	M4	12	0	2,1	7,6	-	2,2	2,5
K1796.1504X16	A	steel	galvanised	10.9	M4	16	0	2,1	7,6	-	2,2	2,5
K1796.1504X20	A	steel	galvanised	10.9	M4	20	0	2,1	7,6	-	2,2	2,5
K1796.1504X25	A	steel	galvanised	10.9	M4	25	0	2,1	7,6	-	2,2	2,5
K1796.1504X30	A	steel	galvanised	10.9	M4	30	6,5	10	7,6	-	2,2	2,5
K1796.1505X8	A	steel	galvanised	10.9	M5	8	0	2,4	9,5	-	2,75	3
K1796.1505X10	A	steel	galvanised	10.9	M5	10	0	2,4	9,5	-	2,75	3
K1796.1505X12	A	steel	galvanised	10.9	M5	12	0	2,4	9,5	-	2,75	3
K1796.1505X16	A	steel	galvanised	10.9	M5	16	0	2,4	9,5	-	2,75	3
K1796.1505X20	A	steel	galvanised	10.9	M5	20	0	2,4	9,5	-	2,75	3
K1796.1505X25	A	steel	galvanised	10.9	M5	25	0	2,4	9,5	-	2,75	3
K1796.1505X30	A	steel	galvanised	10.9	M5	30	4	8	9,5	-	2,75	3
K1796.1505X35	A	steel	galvanised	10.9	M5	35	9	13	9,5	-	2,75	3
K1796.1505X40	A	steel	galvanised	10.9	M5	40	14	18	9,5	-	2,75	3
K1796.1505X45	A	steel	galvanised	10.9	M5	45	19	23	9,5	-	2,75	3
K1796.1506X8	A	steel	galvanised	10.9	M6	8	0	3	10,5	-	3,3	4
K1796.1506X10	A	steel	galvanised	10.9	M6	10	0	3	10,5	-	3,3	4
K1796.1506X12	A	steel	galvanised	10.9	M6	12	0	3	10,5	-	3,3	4
K1796.1506X16	A	steel	galvanised	10.9	M6	16	0	3	10,5	-	3,3	4
K1796.1506X20	A	steel	galvanised	10.9	M6	20	0	3	10,5	-	3,3	4
K1796.1506X25	A	steel	galvanised	10.9	M6	25	0	3	10,5	-	3,3	4
K1796.1506X30	A	steel	galvanised	10.9	M6	30	0	3	10,5	-	3,3	4
K1796.1506X35	A	steel	galvanised	10.9	M6	35	6	11	10,5	-	3,3	4
K1796.1506X40	A	steel	galvanised	10.9	M6	40	11	16	10,5	-	3,3	4
K1796.1506X45	A	steel	galvanised	10.9	M6	45	16	21	10,5	-	3,3	4

Button head screws EN ISO 7380

Overview of items

Order No.	Form	Main material	Surface finish body	Grade	D	L	Ls min.	Lg max.	DK	D1	K	SW
K1796.1506X50	A	steel	galvanised	10.9	M6	50	21	26	10,5	-	3,3	4
K1796.1506X55	A	steel	galvanised	10.9	M6	55	26	31	10,5	-	3,3	4
K1796.1506X60	A	steel	galvanised	10.9	M6	60	31	36	10,5	-	3,3	4
K1796.1508X8	A	steel	galvanised	10.9	M8	8	0	3,75	14	-	4,4	5
K1796.1508X10	A	steel	galvanised	10.9	M8	10	0	3,75	14	-	4,4	5
K1796.1508X12	A	steel	galvanised	10.9	M8	12	0	3,75	14	-	4,4	5
K1796.1508X16	A	steel	galvanised	10.9	M8	16	0	3,75	14	-	4,4	5
K1796.1508X20	A	steel	galvanised	10.9	M8	20	0	3,75	14	-	4,4	5
K1796.1508X25	A	steel	galvanised	10.9	M8	25	0	3,75	14	-	4,4	5
K1796.1508X30	A	steel	galvanised	10.9	M8	30	0	3,75	14	-	4,4	5
K1796.1508X35	A	steel	galvanised	10.9	M8	35	0	3,75	14	-	4,4	5
K1796.1508X40	A	steel	galvanised	10.9	M8	40	5,75	12	14	-	4,4	5
K1796.1508X45	A	steel	galvanised	10.9	M8	45	10,75	17	14	-	4,4	5
K1796.1508X50	A	steel	galvanised	10.9	M8	50	15,75	22	14	-	4,4	5
K1796.1508X55	A	steel	galvanised	10.9	M8	55	20,75	27	14	-	4,4	5
K1796.1508X60	A	steel	galvanised	10.9	M8	60	25,75	32	14	-	4,4	5
K1796.1510X12	A	steel	galvanised	10.9	M10	12	0	4,5	17,5	-	5,5	6
K1796.1510X16	A	steel	galvanised	10.9	M10	16	0	4,5	17,5	-	5,5	6
K1796.1510X20	A	steel	galvanised	10.9	M10	20	0	4,5	17,5	-	5,5	6
K1796.1510X25	A	steel	galvanised	10.9	M10	25	0	4,5	17,5	-	5,5	6
K1796.1510X30	A	steel	galvanised	10.9	M10	30	0	4,5	17,5	-	5,5	6
K1796.1510X35	A	steel	galvanised	10.9	M10	35	0	4,5	17,5	-	5,5	6
K1796.1510X40	A	steel	galvanised	10.9	M10	40	0	4,5	17,5	-	5,5	6
K1796.1510X45	A	steel	galvanised	10.9	M10	45	5,5	13	17,5	-	5,5	6
K1796.1510X50	A	steel	galvanised	10.9	M10	50	10,5	18	17,5	-	5,5	6
K1796.1510X55	A	steel	galvanised	10.9	M10	55	15,5	23	17,5	-	5,5	6
K1796.1510X60	A	steel	galvanised	10.9	M10	60	20,5	28	17,5	-	5,5	6
K1796.1512X16	A	steel	galvanised	10.9	M12	16	0	5,25	21	-	6,6	8
K1796.1512X20	A	steel	galvanised	10.9	M12	20	0	5,25	21	-	6,6	8
K1796.1512X25	A	steel	galvanised	10.9	M12	25	0	5,25	21	-	6,6	8
K1796.1512X30	A	steel	galvanised	10.9	M12	30	0	5,25	21	-	6,6	8
K1796.1512X35	A	steel	galvanised	10.9	M12	35	0	5,25	21	-	6,6	8
K1796.1512X40	A	steel	galvanised	10.9	M12	40	0	5,25	21	-	6,6	8
K1796.1512X45	A	steel	galvanised	10.9	M12	45	0	5,25	21	-	6,6	8
K1796.1512X50	A	steel	galvanised	10.9	M12	50	0	5,25	21	-	6,6	8
K1796.1512X60	A	steel	galvanised	10.9	M12	60	15,25	24	21	-	6,6	8
K1796.1516X30	A	steel	galvanised	10.9	M16	30	0	6	28	-	8,8	10
K1796.1516X40	A	steel	galvanised	10.9	M16	40	0	6	28	-	8,8	10
K1796.1516X45	A	steel	galvanised	10.9	M16	45	0	6	28	-	8,8	10
K1796.1516X50	A	steel	galvanised	10.9	M16	50	0	6	28	-	8,8	10
K1796.1516X60	A	steel	galvanised	10.9	M16	60	0	6	28	-	8,8	10
K1796.1103X8	A	stainless steel A2	bright	70	M3	8	0	1,5	5,7	-	1,65	2
K1796.1103X10	A	stainless steel A2	bright	70	M3	10	0	1,5	5,7	-	1,65	2
K1796.1103X12	A	stainless steel A2	bright	70	M3	12	0	1,5	5,7	-	1,65	2
K1796.1103X16	A	stainless steel A2	bright	70	M3	16	0	1,5	5,7	-	1,65	2
K1796.1103X20	A	stainless steel A2	bright	70	M3	20	0	1,5	5,7	-	1,65	2
K1796.1104X8	A	stainless steel A2	bright	70	M4	8	0	2,1	7,6	-	2,2	2,5
K1796.1104X10	A	stainless steel A2	bright	70	M4	10	0	2,1	7,6	-	2,2	2,5
K1796.1104X12	A	stainless steel A2	bright	70	M4	12	0	2,1	7,6	-	2,2	2,5
K1796.1104X16	A	stainless steel A2	bright	70	M4	16	0	2,1	7,6	-	2,2	2,5
K1796.1104X20	A	stainless steel A2	bright	70	M4	20	0	2,1	7,6	-	2,2	2,5
K1796.1104X25	A	stainless steel A2	bright	70	M4	25	0	2,1	7,6	-	2,2	2,5
K1796.1104X30	A	stainless steel A2	bright	70	M4	30	6,5	30	7,6	-	2,2	2,5
K1796.1105X8	A	stainless steel A2	bright	70	M5	8	0	2,4	9,5	-	2,75	3
K1796.1105X10	A	stainless steel A2	bright	70	M5	10	0	2,4	9,5	-	2,75	3
K1796.1105X12	A	stainless steel A2	bright	70	M5	12	0	2,4	9,5	-	2,75	3
K1796.1105X16	A	stainless steel A2	bright	70	M5	16	0	2,4	9,5	-	2,75	3
K1796.1105X20	A	stainless steel A2	bright	70	M5	20	0	2,4	9,5	-	2,75	3
K1796.1105X25	A	stainless steel A2	bright	70	M5	25	0	2,4	9,5	-	2,75	3
K1796.1105X30	A	stainless steel A2	bright	70	M5	30	4	8	9,5	-	2,75	3
K1796.1105X40	A	stainless steel A2	bright	70	M5	40	14	18	9,5	-	2,75	3
K1796.1105X45	A	stainless steel A2	bright	70	M5	45	19	23	9,5	-	2,75	3

Button head screws EN ISO 7380

Overview of items

Order No.	Form	Main material	Surface finish body	Grade	D	L	Ls min.	Lg max.	DK	D1	K	SW
K1796.1106X8	A	stainless steel A2	bright	70	M6	8	0	3	10,5	-	3,3	4
K1796.1106X10	A	stainless steel A2	bright	70	M6	10	0	3	10,5	-	3,3	4
K1796.1106X12	A	stainless steel A2	bright	70	M6	12	0	3	10,5	-	3,3	4
K1796.1106X16	A	stainless steel A2	bright	70	M6	16	0	3	10,5	-	3,3	4
K1796.1106X20	A	stainless steel A2	bright	70	M6	20	0	3	10,5	-	3,3	4
K1796.1106X25	A	stainless steel A2	bright	70	M6	25	0	3	10,5	-	3,3	4
K1796.1106X30	A	stainless steel A2	bright	70	M6	30	0	3	10,5	-	3,3	4
K1796.1106X35	A	stainless steel A2	bright	70	M6	35	6	11	10,5	-	3,3	4
K1796.1106X40	A	stainless steel A2	bright	70	M6	40	11	6	10,5	-	3,3	4
K1796.1106X45	A	stainless steel A2	bright	70	M6	45	16	21	10,5	-	3,3	4
K1796.1106X50	A	stainless steel A2	bright	70	M6	50	21	26	10,5	-	3,3	4
K1796.1106X60	A	stainless steel A2	bright	70	M6	60	31	36	10,5	-	3,3	4
K1796.1108X10	A	stainless steel A2	bright	70	M8	10	0	3,75	14	-	4,4	5
K1796.1108X12	A	stainless steel A2	bright	70	M8	12	0	3,75	14	-	4,4	5
K1796.1108X16	A	stainless steel A2	bright	70	M8	16	0	3,75	14	-	4,4	5
K1796.1108X20	A	stainless steel A2	bright	70	M8	20	0	3,75	14	-	4,4	5
K1796.1108X25	A	stainless steel A2	bright	70	M8	25	0	3,75	14	-	4,4	5
K1796.1108X30	A	stainless steel A2	bright	70	M8	30	0	3,75	14	-	4,4	5
K1796.1108X35	A	stainless steel A2	bright	70	M8	35	0	3,75	14	-	4,4	5
K1796.1108X40	A	stainless steel A2	bright	70	M8	40	5,75	12	14	-	4,4	5
K1796.1108X45	A	stainless steel A2	bright	70	M8	45	10,75	17	14	-	4,4	5
K1796.1108X50	A	stainless steel A2	bright	70	M8	50	15,75	22	14	-	4,4	5
K1796.1108X60	A	stainless steel A2	bright	70	M8	60	25,75	32	14	-	4,4	5
K1796.1110X16	A	stainless steel A2	bright	70	M10	16	0	4,5	17,5	-	5,5	6
K1796.1110X20	A	stainless steel A2	bright	70	M10	20	0	4,5	17,5	-	5,5	6
K1796.1110X25	A	stainless steel A2	bright	70	M10	25	0	4,5	17,5	-	5,5	6
K1796.1110X30	A	stainless steel A2	bright	70	M10	30	0	4,5	17,5	-	5,5	6
K1796.1110X40	A	stainless steel A2	bright	70	M10	40	0	4,5	17,5	-	5,5	6
K1796.1110X50	A	stainless steel A2	bright	70	M10	50	10,5	18	17,5	-	5,5	6
K1796.1603X10	A	stainless steel A4	bright	70	M3	10	0	1,5	5,7	-	1,65	2
K1796.1603X12	A	stainless steel A4	bright	70	M3	12	0	1,5	5,7	-	1,65	2
K1796.1603X16	A	stainless steel A4	bright	70	M3	16	0	1,5	5,7	-	1,65	2
K1796.1603X20	A	stainless steel A4	bright	70	M3	20	0	1,5	5,7	-	1,65	2
K1796.1604X8	A	stainless steel A4	bright	70	M4	8	0	2,1	7,6	-	2,2	2,5
K1796.1604X10	A	stainless steel A4	bright	70	M4	10	0	2,1	7,6	-	2,2	2,5
K1796.1604X12	A	stainless steel A4	bright	70	M4	12	0	2,1	7,6	-	2,2	2,5
K1796.1604X16	A	stainless steel A4	bright	70	M4	16	0	2,1	7,6	-	2,2	2,5
K1796.1604X20	A	stainless steel A4	bright	70	M4	20	0	2,1	7,6	-	2,2	2,5
K1796.1604X25	A	stainless steel A4	bright	70	M4	25	0	2,1	7,6	-	2,2	2,5
K1796.1604X30	A	stainless steel A4	bright	70	M4	30	6,5	10	7,6	-	2,2	2,5
K1796.1605X8	A	stainless steel A4	bright	70	M5	8	0	2,4	9,5	-	2,75	3
K1796.1605X10	A	stainless steel A4	bright	70	M5	10	0	2,4	9,5	-	2,75	3
K1796.1605X12	A	stainless steel A4	bright	70	M5	12	0	2,4	9,5	-	2,75	3
K1796.1605X16	A	stainless steel A4	bright	70	M5	16	0	2,4	9,5	-	2,75	3
K1796.1605X20	A	stainless steel A4	bright	70	M5	20	0	2,4	9,5	-	2,75	3
K1796.1605X25	A	stainless steel A4	bright	70	M5	25	0	2,4	9,5	-	2,75	3
K1796.1605X30	A	stainless steel A4	bright	70	M5	30	4	8	9,5	-	2,75	3
K1796.1605X40	A	stainless steel A4	bright	70	M5	40	14	18	9,5	-	2,75	3
K1796.1605X45	A	stainless steel A4	bright	70	M5	45	19	23	9,5	-	2,75	3
K1796.1606X8	A	stainless steel A4	bright	70	M6	8	0	3	10,5	-	3,3	4
K1796.1606X10	A	stainless steel A4	bright	70	M6	10	0	3	10,5	-	3,3	4
K1796.1606X12	A	stainless steel A4	bright	70	M6	12	0	3	10,5	-	3,3	4
K1796.1606X16	A	stainless steel A4	bright	70	M6	16	0	3	10,5	-	3,3	4
K1796.1606X20	A	stainless steel A4	bright	70	M6	20	0	3	10,5	-	3,3	4
K1796.1606X25	A	stainless steel A4	bright	70	M6	25	0	3	10,5	-	3,3	4
K1796.1606X30	A	stainless steel A4	bright	70	M6	30	0	3	10,5	-	3,3	4
K1796.1606X35	A	stainless steel A4	bright	70	M6	35	6	11	10,5	-	3,3	4
K1796.1606X40	A	stainless steel A4	bright	70	M6	40	11	16	10,5	-	3,3	4
K1796.1606X45	A	stainless steel A4	bright	70	M6	45	16	21	10,5	-	3,3	4
K1796.1606X50	A	stainless steel A4	bright	70	M6	50	21	26	10,5	-	3,3	4
K1796.1606X60	A	stainless steel A4	bright	70	M6	60	31	36	10,5	-	3,3	4
K1796.1608X10	A	stainless steel A4	bright	70	M8	10	0	3,75	14	-	4,4	5

Button head screws EN ISO 7380

Overview of items

Order No.	Form	Main material	Surface finish body	Grade	D	L	Ls min.	Lg max.	DK	D1	K	SW
K1796.1608X12	A	stainless steel A4	bright	70	M8	12	0	3,75	14	-	4,4	5
K1796.1608X16	A	stainless steel A4	bright	70	M8	16	0	3,75	14	-	4,4	5
K1796.1608X20	A	stainless steel A4	bright	70	M8	20	0	3,75	14	-	4,4	5
K1796.1608X25	A	stainless steel A4	bright	70	M8	25	0	3,75	14	-	4,4	5
K1796.1608X30	A	stainless steel A4	bright	70	M8	30	0	3,75	14	-	4,4	5
K1796.1608X35	A	stainless steel A4	bright	70	M8	35	0	3,75	14	-	4,4	5
K1796.1608X40	A	stainless steel A4	bright	70	M8	40	5,75	12	14	-	4,4	5
K1796.1608X45	A	stainless steel A4	bright	70	M8	45	10,75	17	14	-	4,4	5
K1796.1608X50	A	stainless steel A4	bright	70	M8	50	15,75	22	14	-	4,4	5
K1796.1608X60	A	stainless steel A4	bright	70	M8	60	25,75	32	14	-	4,4	5
K1796.1610X16	A	stainless steel A4	bright	70	M10	16	0	4,5	17,5	-	5,5	6
K1796.1610X20	A	stainless steel A4	bright	70	M10	20	0	4,5	17,5	-	5,5	6
K1796.1610X25	A	stainless steel A4	bright	70	M10	25	0	4,5	17,5	-	5,5	6
K1796.1610X30	A	stainless steel A4	bright	70	M10	30	0	4,5	17,5	-	5,5	6
K1796.1610X40	A	stainless steel A4	bright	70	M10	40	0	4,5	17,5	-	5,5	6
K1796.1610X50	A	stainless steel A4	bright	70	M10	50	10,5	18	17,5	-	5,5	6
K1796.2304X8	B	steel	bright (black)	10.9	M4	8	0	2,1	-	9,4	2,2	2,5
K1796.2304X10	B	steel	bright (black)	10.9	M4	10	0	2,1	-	9,4	2,2	2,5
K1796.2304X12	B	steel	bright (black)	10.9	M4	12	0	2,1	-	9,4	2,2	2,5
K1796.2304X16	B	steel	bright (black)	10.9	M4	16	0	2,1	-	9,4	2,2	2,5
K1796.2304X20	B	steel	bright (black)	10.9	M4	20	0	2,1	-	9,4	2,2	2,5
K1796.2304X25	B	steel	bright (black)	10.9	M4	25	0	2,1	-	9,4	2,2	2,5
K1796.2304X30	B	steel	bright (black)	10.9	M4	30	6,5	10	-	9,4	2,2	2,5
K1796.2305X8	B	steel	bright (black)	10.9	M5	8	0	0,24	-	11,8	2,75	3
K1796.2305X10	B	steel	bright (black)	10.9	M5	10	0	0,24	-	11,8	2,75	3
K1796.2305X12	B	steel	bright (black)	10.9	M5	12	0	0,24	-	11,8	2,75	3
K1796.2305X16	B	steel	bright (black)	10.9	M5	16	0	0,24	-	11,8	2,75	3
K1796.2305X20	B	steel	bright (black)	10.9	M5	20	0	0,24	-	11,8	2,75	3
K1796.2305X25	B	steel	bright (black)	10.9	M5	25	0	0,24	-	11,8	2,75	3
K1796.2305X30	B	steel	bright (black)	10.9	M5	30	4	8	-	11,8	2,75	3
K1796.2305X35	B	steel	bright (black)	10.9	M5	35	9	13	-	11,8	2,75	3
K1796.2306X8	B	steel	bright (black)	10.9	M6	8	0	3	-	13,6	3,3	4
K1796.2306X10	B	steel	bright (black)	10.9	M6	10	0	3	-	13,6	3,3	4
K1796.2306X12	B	steel	bright (black)	10.9	M6	12	0	3	-	13,6	3,3	4
K1796.2306X16	B	steel	bright (black)	10.9	M6	16	0	3	-	13,6	3,3	4
K1796.2306X20	B	steel	bright (black)	10.9	M6	20	0	3	-	13,6	3,3	4
K1796.2306X25	B	steel	bright (black)	10.9	M6	25	0	3	-	13,6	3,3	4
K1796.2306X30	B	steel	bright (black)	10.9	M6	30	0	3	-	13,6	3,3	4
K1796.2306X35	B	steel	bright (black)	10.9	M6	35	6	11	-	13,6	3,3	4
K1796.2306X40	B	steel	bright (black)	10.9	M6	40	11	16	-	13,6	3,3	4
K1796.2308X12	B	steel	bright (black)	10.9	M8	12	0	3,75	-	17,8	4,4	5
K1796.2308X16	B	steel	bright (black)	10.9	M8	16	0	3,75	-	17,8	4,4	5
K1796.2308X20	B	steel	bright (black)	10.9	M8	20	0	3,75	-	17,8	4,4	5
K1796.2308X25	B	steel	bright (black)	10.9	M8	25	0	3,75	-	17,8	4,4	5
K1796.2308X30	B	steel	bright (black)	10.9	M8	30	0	3,75	-	17,8	4,4	5
K1796.2308X35	B	steel	bright (black)	10.9	M8	35	0	3,75	-	17,8	4,4	5
K1796.2308X40	B	steel	bright (black)	10.9	M8	40	5,75	12	-	17,8	4,4	5
K1796.2308X50	B	steel	bright (black)	10.9	M8	50	15,75	22	-	17,8	4,4	5
K1796.2308X60	B	steel	bright (black)	10.9	M8	60	25,75	32	-	17,8	4,4	5
K1796.2310X25	B	steel	bright (black)	10.9	M10	25	0	4,5	-	21,9	5,5	6
K1796.2310X30	B	steel	bright (black)	10.9	M10	30	0	4,5	-	21,9	5,5	6
K1796.2310X35	B	steel	bright (black)	10.9	M10	35	0	4,5	-	21,9	5,5	6
K1796.2504X8	B	steel	galvanised	10.9	M4	8	0	2,1	-	9,4	2,2	2,5
K1796.2504X10	B	steel	galvanised	10.9	M4	10	0	2,1	-	9,4	2,2	2,5
K1796.2504X12	B	steel	galvanised	10.9	M4	12	0	2,1	-	9,4	2,2	2,5
K1796.2504X16	B	steel	galvanised	10.9	M4	16	0	2,1	-	9,4	2,2	2,5
K1796.2504X20	B	steel	galvanised	10.9	M4	20	0	2,1	-	9,4	2,2	2,5
K1796.2504X25	B	steel	galvanised	10.9	M4	25	0	2,1	-	9,4	2,2	2,5
K1796.2504X30	B	steel	galvanised	10.9	M4	30	6,5	10	-	9,4	2,2	2,5
K1796.2505X8	B	steel	galvanised	10.9	M5	8	0	2,4	-	11,8	2,75	3
K1796.2505X10	B	steel	galvanised	10.9	M5	10	0	2,4	-	11,8	2,75	3
K1796.2505X12	B	steel	galvanised	10.9	M5	12	0	2,4	-	11,8	2,75	3

Button head screws EN ISO 7380

Overview of items

Order No.	Form	Main material	Surface finish body	Grade	D	L	Ls min.	Lg max.	DK	D1	K	SW
K1796.2505X16	B	steel	galvanised	10.9	M5	16	0	2,4	-	11,8	2,75	3
K1796.2505X20	B	steel	galvanised	10.9	M5	20	0	2,4	-	11,8	2,75	3
K1796.2505X25	B	steel	galvanised	10.9	M5	25	0	2,4	-	11,8	2,75	3
K1796.2505X30	B	steel	galvanised	10.9	M5	30	4	8	-	11,8	2,75	3
K1796.2505X35	B	steel	galvanised	10.9	M5	35	9	13	-	11,8	2,75	3
K1796.2506X8	B	steel	galvanised	10.9	M6	8	0	3	-	13,6	3,3	4
K1796.2506X10	B	steel	galvanised	10.9	M6	10	0	3	-	13,6	3,3	4
K1796.2506X12	B	steel	galvanised	10.9	M6	12	0	3	-	13,6	3,3	4
K1796.2506X16	B	steel	galvanised	10.9	M6	16	0	3	-	13,6	3,3	4
K1796.2506X20	B	steel	galvanised	10.9	M6	20	0	3	-	13,6	3,3	4
K1796.2506X25	B	steel	galvanised	10.9	M6	25	0	3	-	13,6	3,3	4
K1796.2506X30	B	steel	galvanised	10.9	M6	30	0	3	-	13,6	3,3	4
K1796.2506X35	B	steel	galvanised	10.9	M6	35	6	11	-	13,6	3,3	4
K1796.2506X40	B	steel	galvanised	10.9	M6	40	11	16	-	13,6	3,3	4
K1796.2508X12	B	steel	galvanised	10.9	M8	12	0	3,75	-	17,8	4,4	5
K1796.2508X16	B	steel	galvanised	10.9	M8	16	0	3,75	-	17,8	4,4	5
K1796.2508X20	B	steel	galvanised	10.9	M8	20	0	3,75	-	17,8	4,4	5
K1796.2508X25	B	steel	galvanised	10.9	M8	25	0	3,75	-	17,8	4,4	5
K1796.2508X30	B	steel	galvanised	10.9	M8	30	0	3,75	-	17,8	4,4	5
K1796.2508X35	B	steel	galvanised	10.9	M8	35	0	3,75	-	17,8	4,4	5
K1796.2508X40	B	steel	galvanised	10.9	M8	40	5,75	12	-	17,8	4,4	5
K1796.2508X50	B	steel	galvanised	10.9	M8	50	15,75	22	-	17,8	4,4	5
K1796.2508X60	B	steel	galvanised	10.9	M8	60	25,75	32	-	17,8	4,4	5
K1796.2510X20	B	steel	galvanised	10.9	M10	20	0	4,5	-	21,9	5,5	6
K1796.2510X30	B	steel	galvanised	10.9	M10	30	0	4,5	-	21,9	5,5	6
K1796.2510X35	B	steel	galvanised	10.9	M10	35	0	4,5	-	21,9	5,5	6
K1796.2510X40	B	steel	galvanised	10.9	M10	40	0	4,5	-	21,9	5,5	6
K1796.2510X50	B	steel	galvanised	10.9	M10	50	10,5	18	-	21,9	5,5	6
K1796.2512X20	B	steel	galvanised	10.9	M12	20	0	5,25	-	26	6,6	8
K1796.2512X25	B	steel	galvanised	10.9	M12	25	0	5,25	-	26	6,6	8
K1796.2512X30	B	steel	galvanised	10.9	M12	30	0	5,25	-	26	6,6	8
K1796.2512X40	B	steel	galvanised	10.9	M12	40	0	5,25	-	26	6,6	8
K1796.2512X50	B	steel	galvanised	10.9	M12	50	0	5,25	-	26	6,6	8
K1796.2512X60	B	steel	galvanised	10.9	M12	60	15,25	24	-	26	6,6	8
K1796.2103X8	B	stainless steel A2	bright	70	M3	8	0	1,5	-	6,9	1,65	2
K1796.2103X10	B	stainless steel A2	bright	70	M3	10	0	1,5	-	6,9	1,65	2
K1796.2104X8	B	stainless steel A2	bright	70	M4	8	0	2,1	-	9,4	2,2	2,5
K1796.2104X10	B	stainless steel A2	bright	70	M4	10	0	2,1	-	9,4	2,2	2,5
K1796.2104X12	B	stainless steel A2	bright	70	M4	12	0	2,1	-	9,4	2,2	2,5
K1796.2104X16	B	stainless steel A2	bright	70	M4	16	0	2,1	-	9,4	2,2	2,5
K1796.2104X20	B	stainless steel A2	bright	70	M4	20	0	2,1	-	9,4	2,2	2,5
K1796.2104X25	B	stainless steel A2	bright	70	M4	25	0	2,1	-	9,4	2,2	2,5
K1796.2105X8	B	stainless steel A2	bright	70	M5	8	0	2,4	-	11,8	2,75	3
K1796.2105X10	B	stainless steel A2	bright	70	M5	10	0	2,4	-	11,8	2,75	3
K1796.2105X12	B	stainless steel A2	bright	70	M5	12	0	2,4	-	11,8	2,75	3
K1796.2105X16	B	stainless steel A2	bright	70	M5	16	0	2,4	-	11,8	2,75	3
K1796.2105X20	B	stainless steel A2	bright	70	M5	20	0	2,4	-	11,8	2,75	3
K1796.2105X25	B	stainless steel A2	bright	70	M5	25	0	2,4	-	11,8	2,75	3
K1796.2106X8	B	stainless steel A2	bright	70	M6	8	0	3	-	13,6	3,3	4
K1796.2106X10	B	stainless steel A2	bright	70	M6	10	0	3	-	13,6	3,3	4
K1796.2106X12	B	stainless steel A2	bright	70	M6	12	0	3	-	13,6	3,3	4
K1796.2106X16	B	stainless steel A2	bright	70	M6	16	0	3	-	13,6	3,3	4
K1796.2106X20	B	stainless steel A2	bright	70	M6	20	0	3	-	13,6	3,3	4
K1796.2106X25	B	stainless steel A2	bright	70	M6	25	0	3	-	13,6	3,3	4
K1796.2106X30	B	stainless steel A2	bright	70	M6	30	0	3	-	13,6	3,3	4
K1796.2106X35	B	stainless steel A2	bright	70	M6	35	6	11	-	13,6	3,3	4
K1796.2106X40	B	stainless steel A2	bright	70	M6	40	11	6	-	13,6	3,3	4
K1796.2106X45	B	stainless steel A2	bright	70	M6	45	16	21	-	13,6	3,3	4
K1796.2108X10	B	stainless steel A2	bright	70	M8	10	0	3,75	-	17,8	4,4	5
K1796.2108X12	B	stainless steel A2	bright	70	M8	12	0	3,75	-	17,8	4,4	5
K1796.2108X16	B	stainless steel A2	bright	70	M8	16	0	3,75	-	17,8	4,4	5
K1796.2108X20	B	stainless steel A2	bright	70	M8	20	0	3,75	-	17,8	4,4	5

Button head screws EN ISO 7380**Overview of items**

Order No.	Form	Main material	Surface finish body	Grade	D	L	Ls min.	Lg max.	DK	D1	K	SW
K1796.2108X25	B	stainless steel A2	bright	70	M8	25	0	3,75	-	17,8	4,4	5