

## Locating adapters, cylindrical, stainless steel pneumatic

### Item description/product images



### Description

#### Product description:

Clamped using compressed air.  
Released via integrate spring.

#### Material:

Body, stainless steel.  
Seal, NBR.

#### Version:

Stainless steel bright.

#### Note:

Installed dimensions for plate thickness 6 mm.

The stated clamping and retaining forces are related to an operating pressure of 0.5 Mpa.

When using several positioning units, the distance tolerance of  $\pm 0.1$  mm should not be exceeded.

Repeat accuracy  $\pm 0.2$  mm.

#### Accessory:

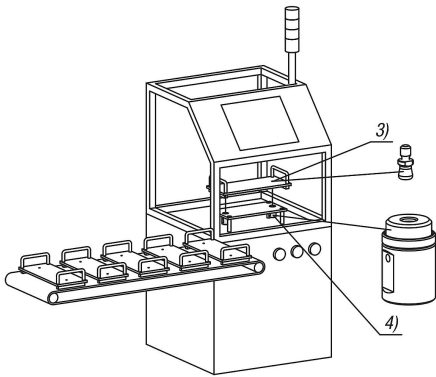
Clamping pins K1564.

#### Drawing reference:

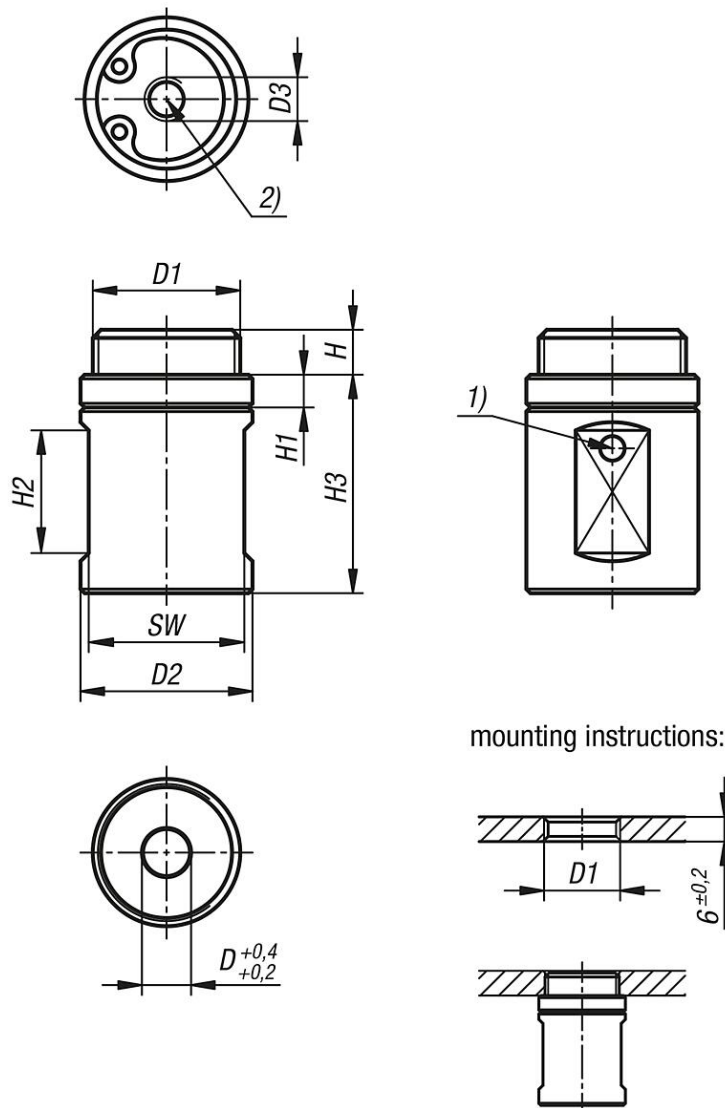
- 1) Air valve (one-sided)
- 2) Pneumatic connection
- 3) Clamping pin
- 4) Locating adapter

# Locating adapters, cylindrical, stainless steel pneumatic

Item description/product images



## Drawings



## Overview of items

## Locating adapters, cylindrical, stainless steel pneumatic

### Overview of items

---

#### Locating adapters, cylindrical, stainless steel, pneumatic

Order No.	D	D1	D2	D3	H	H1	H2	H3	SW	Operating pressure MPa	F N	Holding force N
K1740.0618	6	M18x1	21	M5	5,5	4	15	26,7	19	0,3 - 0,7	30	75