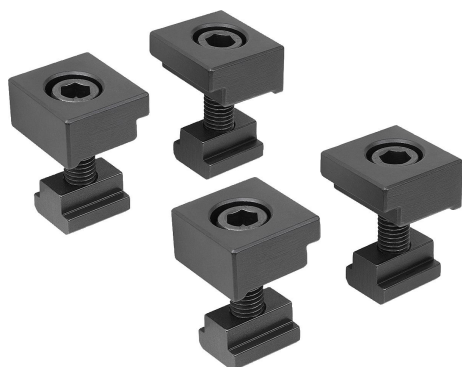


Clamping claw sets for multi-clamping system

Item description/product images



Description

Material:
Carbon steel.

Version:
Tempered. Support faces ground (HRC 32).

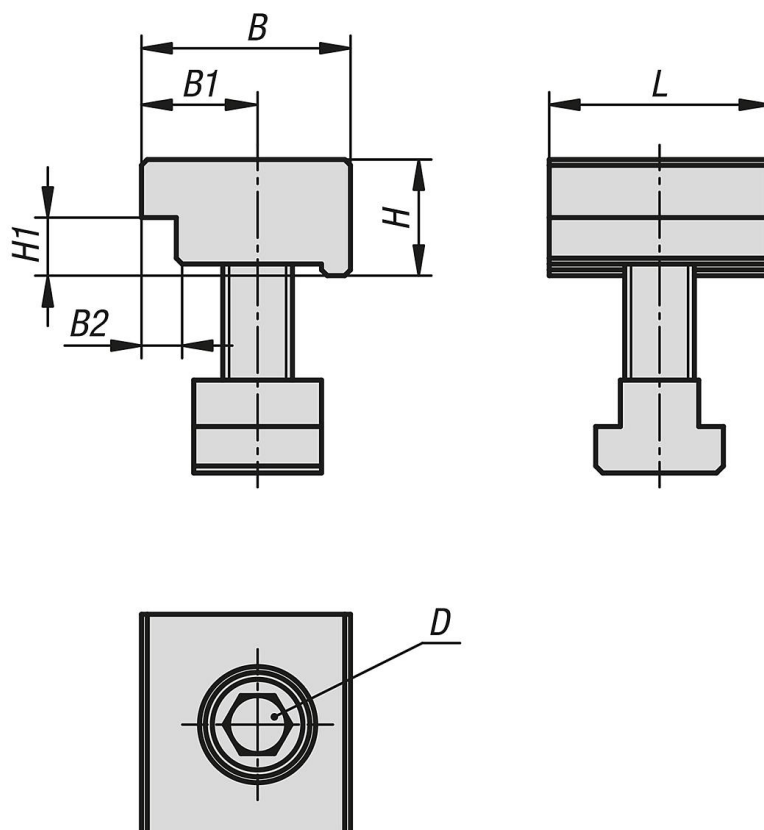
Note:
Using these clamping claw sets, the clamping rails can be secured at any position on the machine table.

Application:
The clamping claw set is inserted into the T-slot on the machine table and slid along to the desired position on the clamping rail. Tightened using a cap screw.

Advantages:
The clamping claw set can also be used for other types of mounting in the multi-clamping system.

Supplied with:
4x claw clamps.
4x DIN 912 cap screws.
4x DIN 508 T-slot nuts.

Drawings



Clamping claw sets for multi-clamping system

Overview of items

Clamping claw sets for multi-clamping system

Order No.	suitable for system width	L	B	H	B1	B2	H1	D for screw DIN 912	Slot width
K1757.05012	50	38	36	20	20	6	10	M12	14
K1757.07216	72/100	40	50	28	27	8	14	M16	18