

Clamping rails for multi-clamping system

Item description/product images



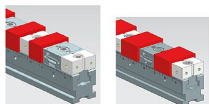
Maximum workpiece size for types double-sided wedge clamps and fixed jaw ES

Clamping rails	1 pcs.		2 pcs.	
	B=50		B=50	
L=300	39	153	29	96
L=400	72	292	54	146
L=500	106	394	79	197
L=600	139	453	104	246
L=700	172	592	129	296

Clamping rails	3 pcs.		4 pcs.	
	B=50		B=50	
L=300	39	72	29	54
L=400	72	106	54	79
L=500	106	139	79	104
L=600	139	172	104	129
L=700	172		129	

Clamping rails	5 pcs.		6 pcs.	
	B=50		B=50	
L=300	8	8	6	6
L=400	27	23	23	23
L=500	48	40	40	40
L=600	68	56	56	56
L=700	87	73	73	73

Clamping rails	7 pcs.		8 pcs.	
	B=50		B=50	
L=300	-	-	8	-
L=400	9	8	8	8
L=500	23	23	23	23
L=600	37	33	33	33
L=700	51	45	45	45



Combination of clamping rails for multi-clamping system K1746.
Wedge clamp K1748 and
Fixed jaw ES for multi-clamping system K1750.

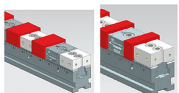
Maximum workpiece sizes for the types double-sided wedge clamp and fixed jaw DS

Clamping rails	1 pcs.		2 pcs.	
	B=50		B=50	
L=300	154	154	92	92
L=400	263	263	131	131
L=500	365	365	182	182
L=600	464	464	232	232
L=700	563	563	291	291

Clamping rails	3 pcs.		4 pcs.	
	B=50		B=50	
L=300	24	18	18	18
L=400	57	43	43	43
L=500	91	68	68	68
L=600	124	93	93	93
L=700	157	118	118	118

Clamping rails	5 pcs.		6 pcs.	
	B=50		B=50	
L=300	-	-	13	13
L=400	16	13	13	13
L=500	36	30	30	30
L=600	56	47	47	47
L=700	76	63	63	63

Clamping rails	7 pcs.		8 pcs.	
	B=50		B=50	
L=300	-	-	-	-
L=400	-	-	-	-
L=500	13	11	11	11
L=600	27	24	24	24
L=700	41	36	36	36



Combination of clamping rails for multi-clamping system K1746.
Wedge clamp K1748 and
Fixed jaw DS for multi-clamping system K1751.

Description

Material:

Tool steel.

Version:

Hardened and ground (HRC 55 ±2).

Note:

The clamping rails can be fastened using various methods.

1. Lateral edge for claw clamp set. Claw clamps can be fastened at any desired position.
2. Holes for DIN cap screws.
3. Ø25H6 mm locating holes for conventional zero-point clamping systems with 100 mm system spacing.
4. Ø16H6 mm locating holes for zero-point clamping systems with 96 mm system spacing.
5. Three 18H7 alignment slots for T-slot tables.
6. Ø12F7 and Ø16F7 reamed holes for 40 mm and 50 mm grid systems.

Application:

Several clamping rails with different lengths can be mounted one behind the other or next to each other. The precision toothing enables very accurate positioning of the fixed jaws. Due to the scale on the side of the clamping rails, each position of the fixed jaws can be documented and reset identically. Stops can be mounted in the tapped holes on the side.

Advantages:

Universal and flexible.

For small and large batch sizes.

Large components can also be clamped beside each other on a number of clamping rails.

Clamping rails for multi-clamping system

Item description/product images

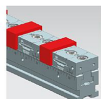
Maximum workpiece sizes for the types wedge clamp with fixed jaw

Clamping rails	1 pcs.		2 pcs.	
	B=50	B=50	B=50	B=50
L=300	203		68	
L=400	302		118	
L=500	404		169	
L=600	503		218	
L=700	602		268	

Clamping rails	3 pcs.		4 pcs.	
	B=50	B=50	B=50	B=50
L=300	23		26	
L=400	56		51	
L=500	90		76	
L=600	123		101	
L=700	156			

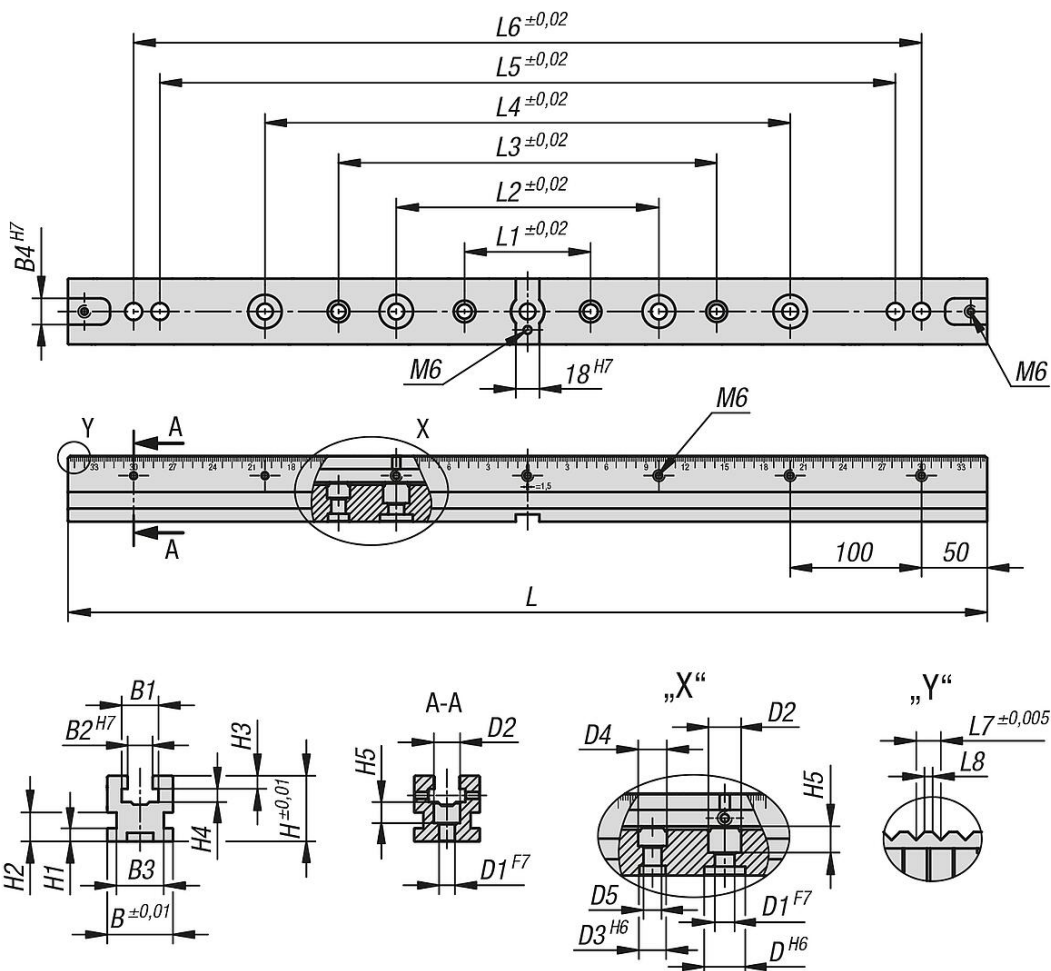
Clamping rails	5 pcs.		6 pcs.	
	B=50	B=50	B=50	B=50
L=300	-		-	
L=400	7		12	
L=500	27		28	
L=600	47		45	
L=700	67			

Clamping rails	7 pcs.		8 pcs.	
	B=50	B=50	B=50	B=50
L=300	-		-	
L=400	-		-	
L=500	-		-	
L=600	15		5	
L=700	29		17	



Combination of clamping rails for multi-clamping system K1746.
Wedge clamp with fixed jaw for multi-clamping system K1748 and 1x fixed jaw ES for multi-clamping system K1750.

Drawings



Clamping rails for multi-clamping system

Overview of items

Clamping rails for multi-clamping system

Order No.	suitable for system width	L	B	H	L1	L2	L3	L4	L5	L6	L7	L8	B1	B2	B3	B4	H1	H2	H3	H4	H5	D	D1	D2	D3	D4	D5
K1746.050300	50	300	50	50	96	200	-	-	-	-	1,5	0,5	28	19	36	18	10	22	10	10	16	25	12	20	16	17,5	11
K1746.050400	50	400	50	50	96	200	288	300	-	-	1,5	0,5	28	19	36	18	10	22	10	10	16	25	12	20	16	17,5	11
K1746.050500	50	500	50	50	96	200	288	400	-	-	1,5	0,5	28	19	36	18	10	22	10	10	16	25	12	20	16	17,5	11
K1746.050600	50	600	50	50	96	200	288	400	500	-	1,5	0,5	28	19	36	18	10	22	10	10	16	25	12	20	16	17,5	11
K1746.050700	50	700	50	50	96	200	288	400	560	600	1,5	0,5	28	19	36	18	10	22	10	10	16	25	12	20	16	17,5	11