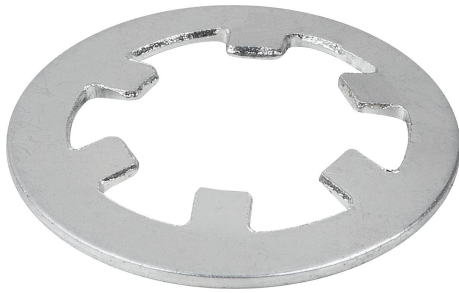


Retaining washers for quarter turn latches

Item description/product images



Description

Material:

Spring steel

Version:

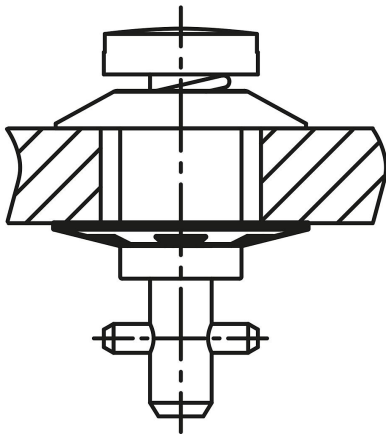
Electro zinc-plated.

Note:

Retaining washer for fastening the locking pin. This keeps the locking pin joined captively to the cover.

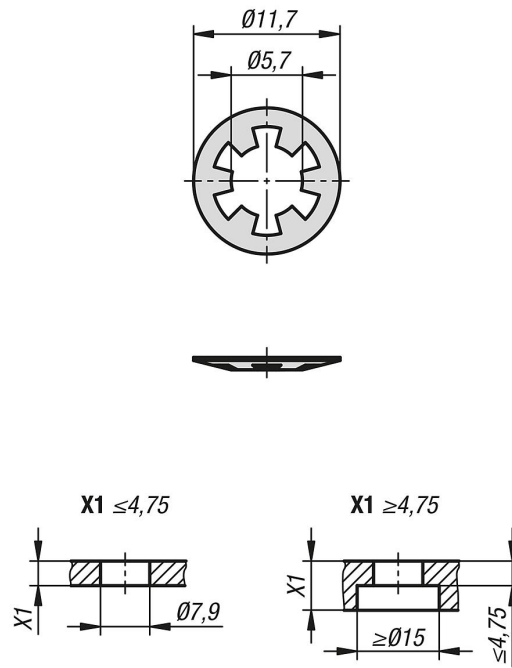
Accessory:

Quarter turn latches K1730.



Retaining washers for quarter turn latches

Drawings



Overview of items

Retaining washers for quarter turn latches

Order No.	Item	for Art. No.
K1731.06	Retaining washer	K1730