

# Barrel locks with return spring stainless steel lock grip upward or downward

Item description/product images



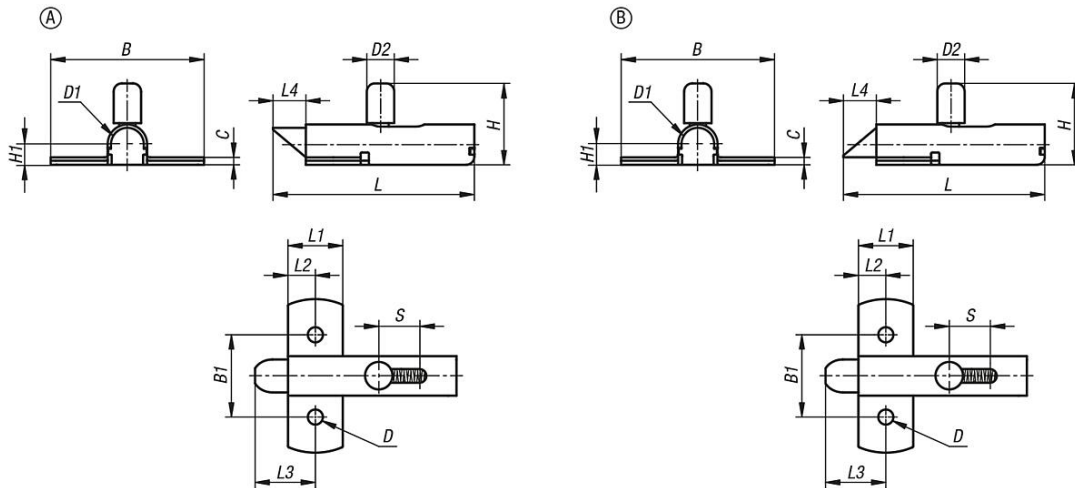
## Description

**Material:**  
Stainless steel

**Note:**  
Barrel locks with return spring can be easily screwed onto doors, hatches and hoods. These locks are available in two different variants: bevelled upward or bevelled downward. The bevelled surface allows the application to be closed or opened without actuating the grip. The integrated return spring always brings the grip back to its original position.

**Type of operation:**  
When the grip is pushed, the barrel moves into the open position and the door can be opened. When the door is pushed to, it is locked automatically by the bevel.

## Drawings



## Overview of items

### Barrel locks with return spring stainless steel

Order No.	Form	Form definition	B	B1	C	D	D1	D2	H	H1	Travel S	L	L1	L2	L3	L4
K1693.07356	A	bevel up	56	30	2,7	5,5	12	10	29,7	7,35	13	73,5	20	10	22	12
K1693.17356	B	bevel down	56	30	2,7	5,5	12	10	29,7	7,35	13	73,5	20	10	22	12