

Wheels heavy-load wheel body welded

Item description/product images



Description

Material:

Wheel body welded steel construction.

Tread Extrathane®.

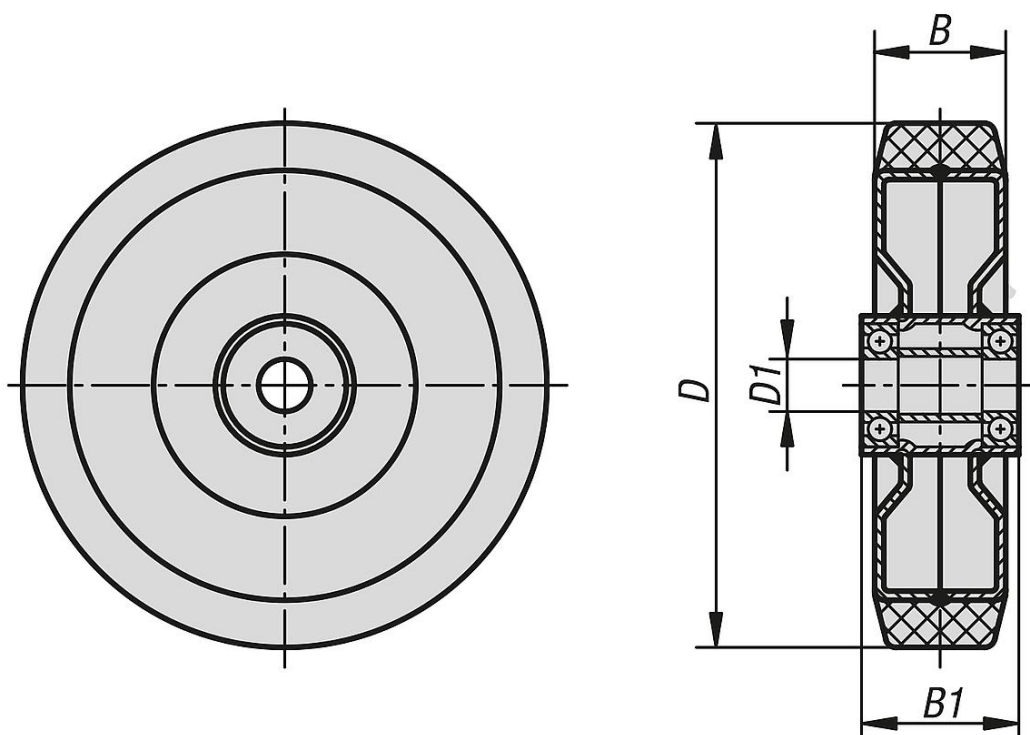
Note:

Extrathane treads are elastic, resist abrasion, gentle to floors, low-noise and have particularly high elastic restoration after long standing.

Application temperature from -40 °C to +80 °C.

Suitable as replacement rollers for the castors K1768 and K1769.

Drawings



Overview of items

Wheels heavy-load wheel body welded

Order No.	Wheel bearing	D	D1	B	B1	Permissible load kg
K1782.12550	ball bearing	125	20	50	60	500
K1782.16050	ball bearing	160	20	50	60	700

Wheels heavy-load wheel body welded

Overview of items

Order No.	Wheel bearing	D	D1	B	B1	Permissible load kg
K1782.20050	ball bearing	200	20	50	60	1000
K1782.25060	ball bearing	250	25	60	70	1350