

Wheels polyamide with injection-moulded tread

Item description/product images



Description

Material:

Wheel body PA.

Tread thermoplastic polyurethane elastomer.

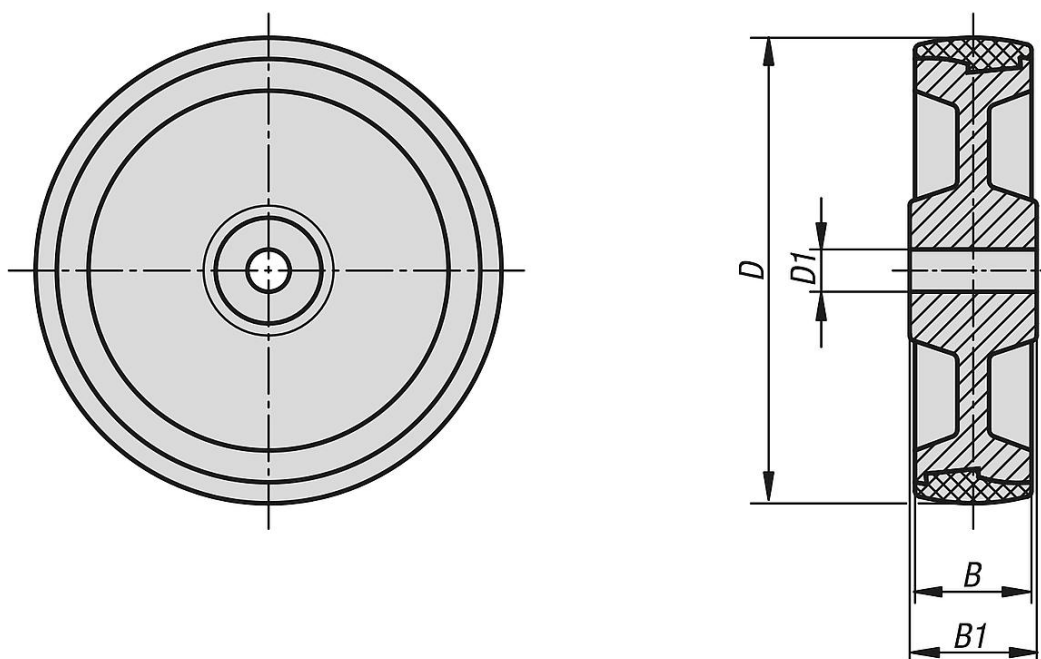
Note:

Wheels with polyurethane tread have a high load capacity, resist abrasion, are gentle to floors, absorb shocks and vibration and are resistant to many chemicals and acids.

Temperature resistant from -30 °C to +80 °C.

Suitable as replacement rollers for the castors K1764.

Drawings



Overview of items

Wheels polyamide with injection-moulded tread

| Order No. | Wheel bearing | D | D1 | B | B1 | Permissible load kg |
|-------------|---------------|-----|----|----|----|---------------------|
| K1778.10035 | plain bearing | 100 | 15 | 35 | 45 | 200 |
| K1778.12535 | plain bearing | 125 | 15 | 35 | 45 | 250 |
| K1778.15040 | plain bearing | 150 | 20 | 40 | 60 | 400 |
| K1778.20050 | plain bearing | 200 | 20 | 50 | 60 | 700 |

