

Swivel castors with bolt hole stainless steel, for sterile areas

Item description/product images



Description

Material:

Housing stainless steel 1.4301.

Wheel rim, high-quality thermoplastic polyurethane.

Wheel tread, high-quality polyamide.

Version:

Housing press formed.

Double ball bearing in the castor head.

Plain bearing in wheels.

Note:

Wheel axle bolted.

Application:

Loads can be transported with low noise and maximum ease in area's with high hygiene requirements.

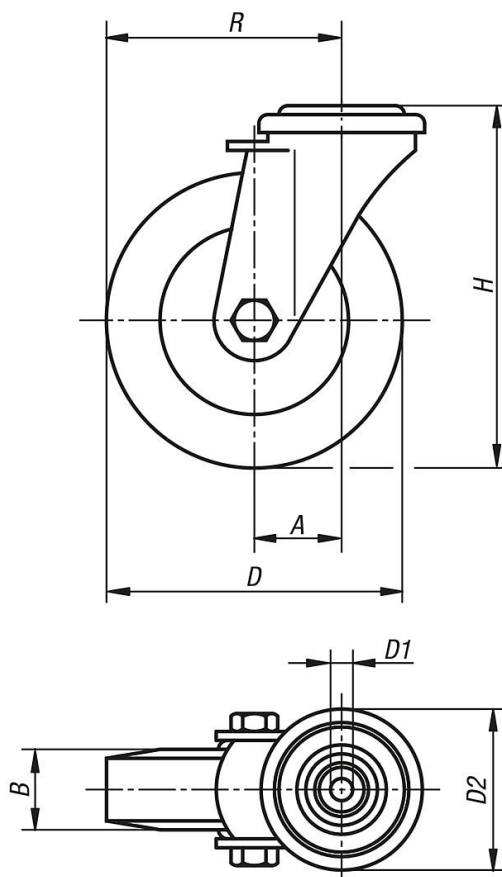
Temperature range:

-20 °C - +70 °C.

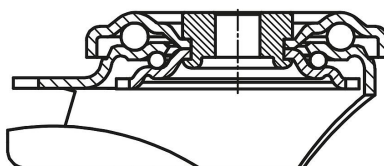
Swivel castors with bolt hole stainless steel, for sterile areas

Drawings

swivel castor



swivel head bearing:



Overview of items

Swivel castors with bolt hole stainless steel, for sterile areas

Order No.	Item	Version 1	Wheel bearing	A	B	D	D1	D2	H	R	Permissible load kg
K1791.21100035	Swivel castor	without locking system	plain bearing	36	35	100	13	70	125	86	150
K1791.21125040	Swivel castor	without locking system	plain bearing	40	40	125	13	70	150	102,5	150
K1791.21160045	Swivel castor	without locking system	plain bearing	54	45	160	13	88	195	134	300
K1791.21200050	Swivel castor	without locking system	plain bearing	54	50	200	13	88	235	154	300
K1791.211000352	Swivel castor	with stop-fix locking system	plain bearing	36	35	100	13	70	125	86	150
K1791.211250402	Swivel castor	with stop-fix locking system	plain bearing	40	40	125	13	70	150	102,5	150
K1791.211600452	Swivel castor	with stop-fix locking system	plain bearing	54	45	160	13	88	195	134	300
K1791.212000502	Swivel castor	with stop-fix locking system	plain bearing	54	50	200	13	88	235	154	300

