

Swivel and fixed castors stainless steel, standard version

Item description/product images



Description

Material:

Housing stainless steel 1.4301.

Wheels high-quality unbreakable polyamide.

Version:

Housing press formed.

Double ball bearing in the castor head.

Plain bearing in wheels.

Note:

Wheel axle bolted.

Swivel and fixed castors with mounting plate.

Vibratory ground surface.

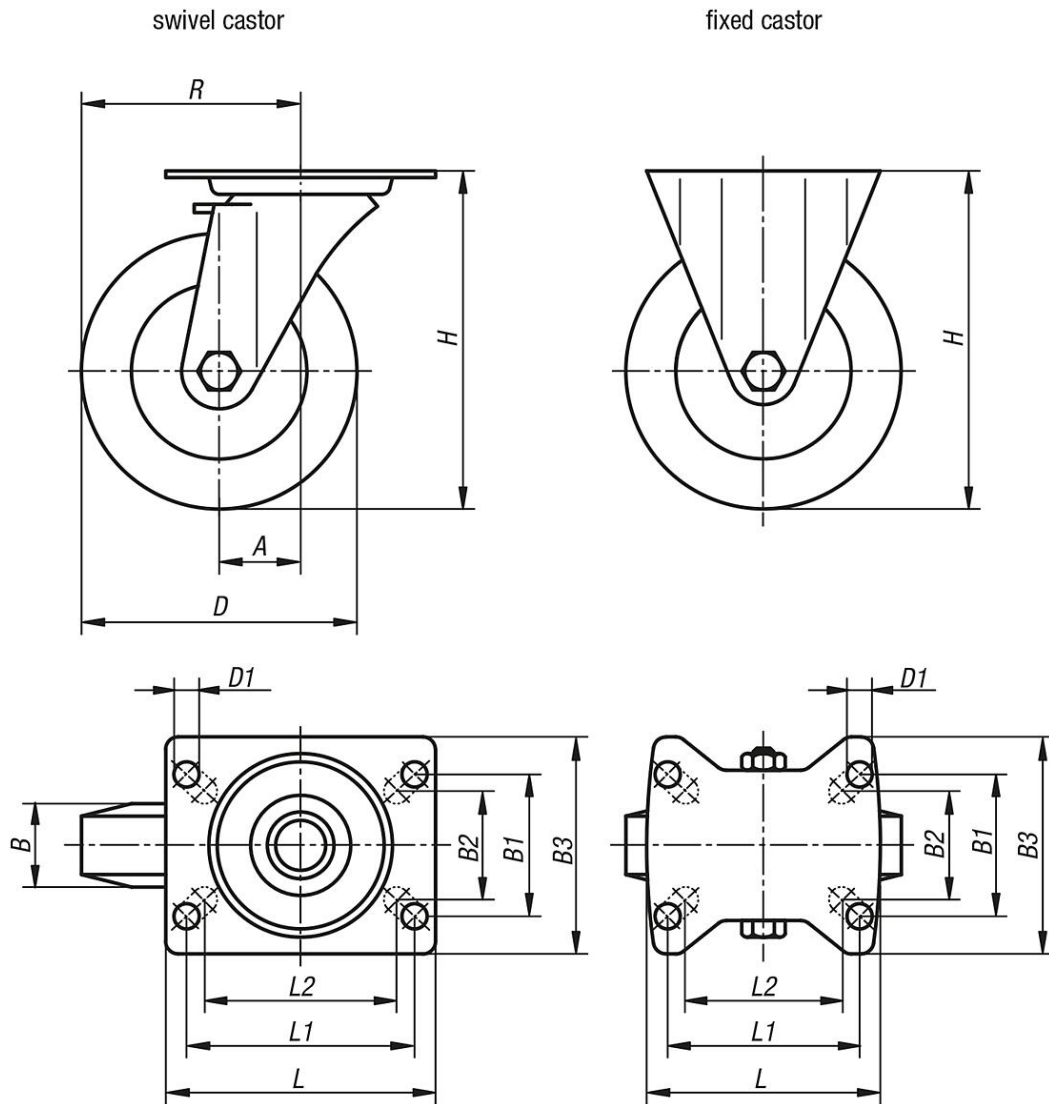
Stainless.

Temperature range:

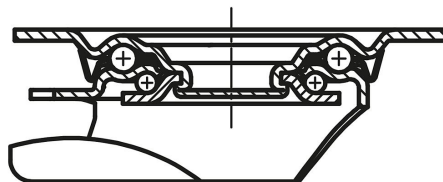
-25 °C to +80 °C.

Swivel and fixed castors stainless steel, standard version

Drawings



swivel head bearing:



Overview of items

Swivel and fixed castors stainless steel, standard version

Order No.	Item	Version 1	Wheel bearing	A	B	B1	B2	B3	D	D1	H	L	L1	L2	R	Permissible load kg
K1773.210750321	Fixed castor	without locking system	plain bearing	-	32	60	55	85	75	9	100	100	80	76	-	150
K1773.211000371	Fixed castor	without locking system	plain bearing	-	37	60	55	85	100	9	125	100	80	76	-	150
K1773.211250401	Fixed castor	without locking system	plain bearing	-	40	60	55	85	125	9	150	100	80	76	-	150

Swivel and fixed castors stainless steel, standard version

Overview of items

Order No.	Item	Version 1	Wheel bearing	A	B	B1	B2	B3	D	D1	H	L	L1	L2	R	Permissible load kg
K1773.211500501	Fixed castor	without locking system	plain bearing	-	50	80	75	110	150	11	190	140	105	-	-	300
K1773.21075032	Swivel castor	without locking system	plain bearing	38	32	60	55	85	75	9	100	100	80	76	75,5	150
K1773.21100037	Swivel castor	without locking system	plain bearing	36	37	60	55	85	100	9	125	100	80	76	86	150
K1773.21125040	Swivel castor	without locking system	plain bearing	40	40	60	55	85	125	9	150	100	80	76	102,5	150
K1773.21150050	Swivel castor	without locking system	plain bearing	54	50	80	75	110	150	11	190	140	105	-	129	300
K1773.210750322	Swivel castor	with stop-fix locking system	plain bearing	38	32	60	55	85	75	9	100	100	80	76	75,5	150
K1773.211000372	Swivel castor	with stop-fix locking system	plain bearing	36	37	60	55	85	100	9	125	100	80	76	86	150
K1773.211250402	Swivel castor	with stop-fix locking system	plain bearing	40	40	60	55	85	125	9	150	100	80	76	102,5	150
K1773.211500502	Swivel castor	with stop-fix locking system	plain bearing	54	50	80	75	110	150	11	190	140	105	-	129	300