

Swivel and fixed castors heavy-duty version

Item description/product images



Description

Material:

Housing thick steel plate.
Wheels high-quality PA 6.

Version:

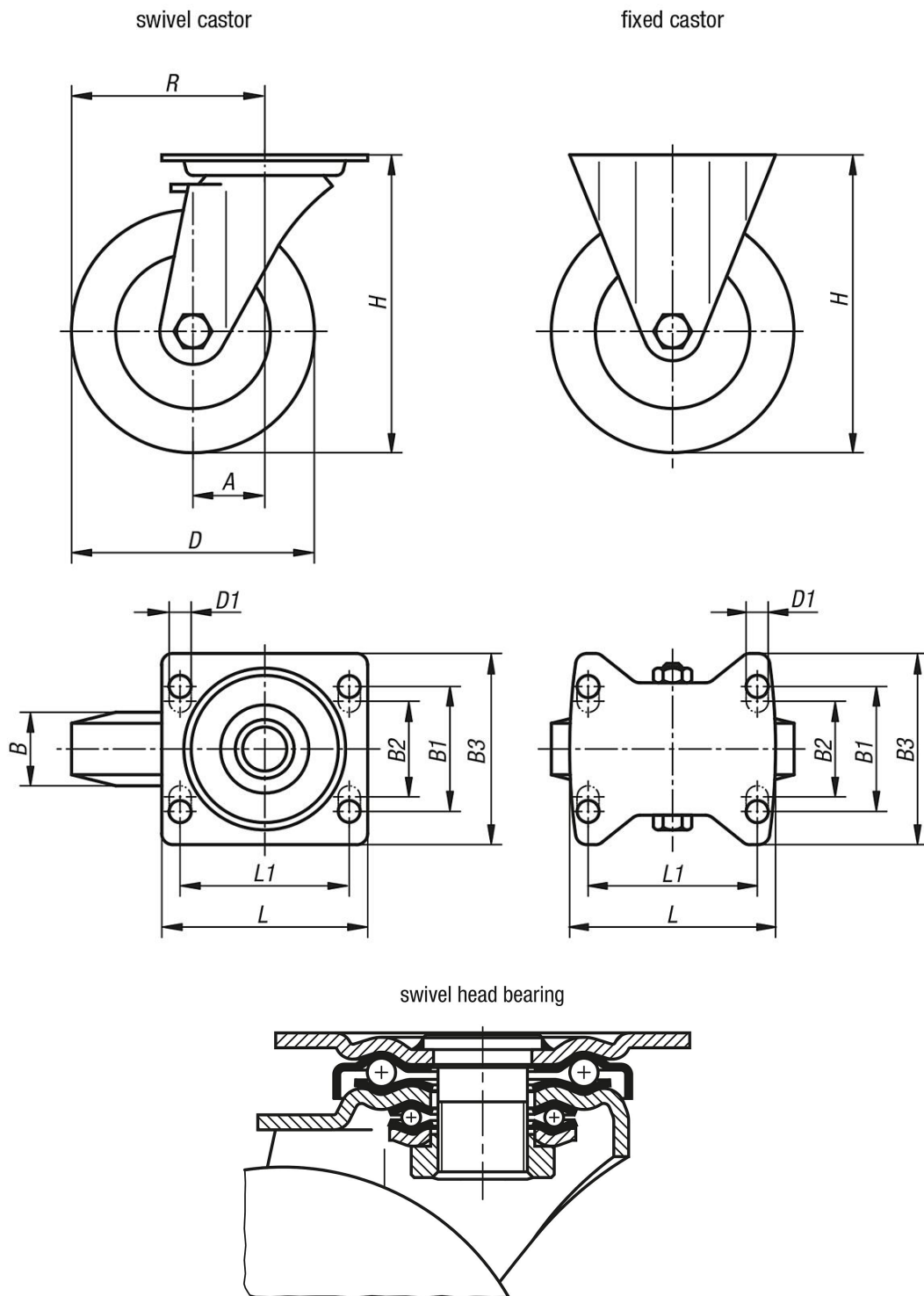
Housing press formed.
Swivel castor housing with strong fork and base plate, very robust centre pin bolted and secured. The swivel head is additionally reinforced with specially formed and hardened bearing shells.

Note:

The hardened bearing shells make these castors particularly shock and impact proof. The wheels have high abrasion resistance. Wheel axle bolted.

Swivel and fixed castors heavy-duty version

Drawings



Overview of items

Swivel and fixed castors heavy-duty version

Order No.	Item	Version 1	Wheel bearing	A	B	B1	B2	B3	D	D1	H	L	L1	R	Permissible load kg
K1772.075321	Fixed castor	without locking system	plain bearing	-	32	60	-	85	75	9	118	100	80	-	300

Swivel and fixed castors heavy-duty version

Overview of items

Order No.	Item	Version 1	Wheel bearing	A	B	B1	B2	B3	D	D1	H	L	L1	R	Permissible load kg
K1772.075324	Fixed castor	without locking system	ball bearing	-	32	60	-	85	75	9	118	100	80	-	300
K1772.100371	Fixed castor	without locking system	plain bearing	-	37	60	-	85	100	9	140	100	80	-	500
K1772.100374	Fixed castor	without locking system	ball bearing	-	37	60	-	85	100	9	140	100	80	-	500
K1772.125401	Fixed castor	without locking system	plain bearing	-	40	60	-	85	125	9	165	100	80	-	700
K1772.125404	Fixed castor	without locking system	ball bearing	-	40	60	-	85	125	9	165	100	80	-	700
K1772.150501	Fixed castor	without locking system	plain bearing	-	50	80	75	110	150	11	197	140	105	-	800
K1772.150504	Fixed castor	without locking system	ball bearing	-	50	80	75	110	150	11	197	140	105	-	800
K1772.07532	Swivel castor	without locking system	plain bearing	45	32	60	-	85	75	9	118	100	80	82,5	300
K1772.075323	Swivel castor	without locking system	ball bearing	45	32	60	-	85	75	9	118	100	80	82,5	300
K1772.10037	Swivel castor	without locking system	plain bearing	45	37	60	-	85	100	9	140	100	80	95	500
K1772.100373	Swivel castor	without locking system	ball bearing	45	37	60	-	85	100	9	140	100	80	95	500
K1772.12540	Swivel castor	without locking system	plain bearing	45	40	60	-	85	125	9	165	100	80	107,5	700
K1772.125403	Swivel castor	without locking system	ball bearing	45	40	60	-	85	125	9	165	100	80	107,5	700
K1772.15050	Swivel castor	without locking system	plain bearing	65	50	80	75	110	150	11	197	140	105	140	800
K1772.150503	Swivel castor	without locking system	ball bearing	65	50	80	75	110	150	11	197	140	105	140	800
K1772.075322	Swivel castor	with stop-top locking system	plain bearing	45	32	60	-	85	75	9	118	100	80	82,5	300
K1772.075325	Swivel castor	with stop-top locking system	ball bearing	45	32	60	-	85	75	9	118	100	80	82,5	300
K1772.100372	Swivel castor	with stop-top locking system	plain bearing	45	37	60	-	85	100	9	140	100	80	95	500
K1772.100375	Swivel castor	with stop-top locking system	ball bearing	45	37	60	-	85	100	9	140	100	80	95	500
K1772.125402	Swivel castor	with stop-top locking system	plain bearing	45	40	60	-	85	125	9	165	100	80	107,5	700
K1772.125405	Swivel castor	with stop-top locking system	ball bearing	45	40	60	-	85	125	9	165	100	80	107,5	700
K1772.150502	Swivel castor	with stop-top locking system	plain bearing	65	50	80	75	110	150	11	197	140	105	140	800
K1772.150505	Swivel castor	with stop-top locking system	ball bearing	65	50	80	75	110	150	11	197	140	105	140	800