

Swivel and fixed castors standard version

Item description/product images



Description

Material:

Housing and wheel rim steel plate.

Tyres solid rubber.

Wheel hub steel tube.

Version:

Housing and rim press formed.

Double ball bearing with ball shield in castor head.

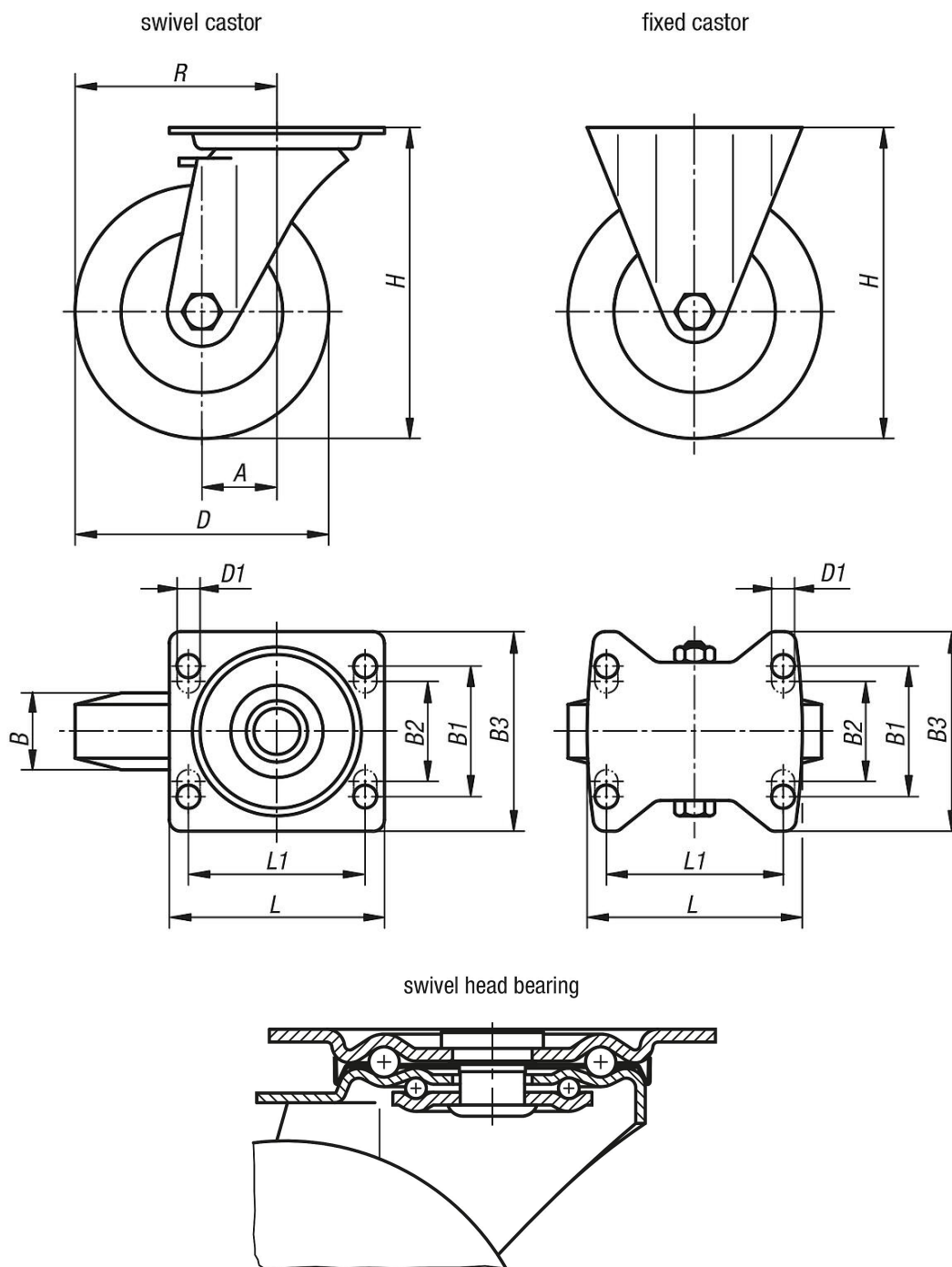
Roller bearings in the wheels.

Note:

Wheel axle bolted.

Swivel and fixed castors standard version

Drawings



Overview of items

Swivel and fixed castors standard version

Order No.	Item	Version 1	Wheel bearing	A	B	B1	B2	B3	D	D1	L	L1	H	R	Permissible load kg
K1761.080251	Fixed castor	without locking system	roller bearing	-	25	-	60	85	80	9	100	80	102	-	50
K1761.100301	Fixed castor	without locking system	roller bearing	-	30	-	60	85	100	9	100	80	125	-	70
K1761.125381	Fixed castor	without locking system	roller bearing	-	37,5	-	60	85	125	9	100	80	150	-	100
K1761.160401	Fixed castor	without locking system	roller bearing	-	40	75	80	110	160	11	140	105	195	-	135

Swivel and fixed castors standard version

Overview of items

Order No.	Item	Version 1	Wheel bearing	A	B	B1	B2	B3	D	D1	L	L1	H	R	Permissible load kg
K1761.200501	Fixed castor	without locking system	roller bearing	-	50	75	80	110	200	11	140	105	235	-	205
K1761.08025	Swivel castor	without locking system	roller bearing	38	25	-	60	85	80	9	100	80	102	78	50
K1761.10030	Swivel castor	without locking system	roller bearing	36	30	-	60	85	100	9	100	80	125	86	70
K1761.12538	Swivel castor	without locking system	roller bearing	40	37,5	-	60	85	125	9	100	80	150	102,5	100
K1761.16040	Swivel castor	without locking system	roller bearing	60	40	75	80	110	160	11	140	105	195	140	135
K1761.20050	Swivel castor	without locking system	roller bearing	65	50	75	80	110	200	11	140	105	235	165	205
K1761.080252	Swivel castor	with stop-fix locking system	roller bearing	38	25	-	60	85	80	9	100	80	102	78	50
K1761.100302	Swivel castor	with stop-fix locking system	roller bearing	36	30	-	60	85	100	9	100	80	125	86	70
K1761.125382	Swivel castor	with stop-fix locking system	roller bearing	40	37,5	-	60	85	125	9	100	80	150	102,5	100
K1761.160402	Swivel castor	with stop-fix locking system	roller bearing	60	40	75	80	110	160	11	140	105	195	140	135
K1761.200502	Swivel castor	with stop-fix locking system	roller bearing	65	50	75	80	110	200	11	140	105	235	165	205