

# Swivel and fixed castors standard version

## Item description/product images



### Description

**Material:**

Housing steel plate.  
 Wheel treads solid rubber.  
 Wheel rims polyamide.

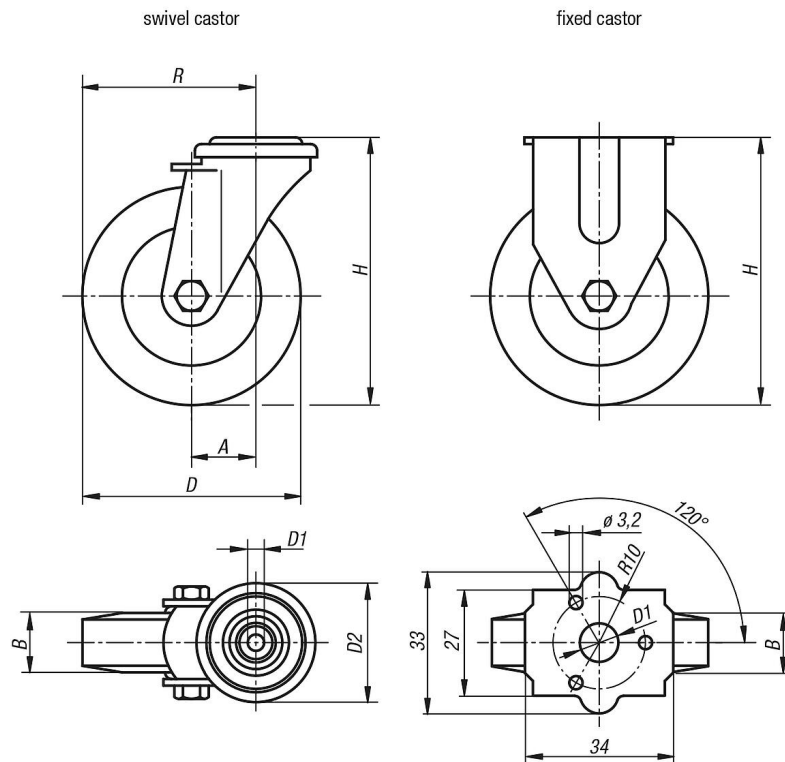
**Version:**

Housing press formed.  
 Double ball bearing in the castor head.  
 Plain bearing in wheels.

**Note:**

Wheel axle bolted.  
 Swivel and fixed castors with bolt hole.  
 Wheels grey, non-marking.

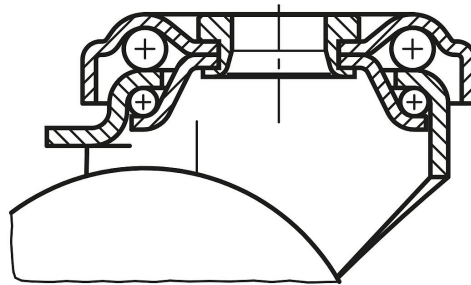
## Drawings



## Swivel and fixed castors standard version

### Drawings

swivel head bearing



### Overview of items

#### Swivel and fixed castors standard version

| Order No.    | Item          | Version 1                    | Wheel bearing | A  | B  | D   | D1 | D2 | H   | R    | Permissible load kg |
|--------------|---------------|------------------------------|---------------|----|----|-----|----|----|-----|------|---------------------|
| K1759.050181 | Fixed castor  | without locking system       | plain bearing | -  | 18 | 50  | 11 | -  | 69  | -    | 40                  |
| K1759.075251 | Fixed castor  | without locking system       | plain bearing | -  | 25 | 75  | 11 | -  | 98  | -    | 60                  |
| K1759.05018  | Swivel castor | without locking system       | plain bearing | 25 | 18 | 50  | 11 | 43 | 69  | 50   | 40                  |
| K1759.07525  | Swivel castor | without locking system       | plain bearing | 28 | 25 | 75  | 11 | 43 | 98  | 65,5 | 60                  |
| K1759.10025  | Swivel castor | without locking system       | plain bearing | 33 | 25 | 100 | 11 | 43 | 121 | 83   | 70                  |
| K1759.050182 | Swivel castor | with stop-fix locking system | plain bearing | 25 | 18 | 50  | 11 | 43 | 69  | 50   | 40                  |
| K1759.075252 | Swivel castor | with stop-fix locking system | plain bearing | 28 | 25 | 75  | 11 | 43 | 98  | 65,5 | 60                  |
| K1759.100252 | Swivel castor | with stop-fix locking system | plain bearing | 33 | 25 | 100 | 11 | 43 | 121 | 83   | 70                  |