

# Telescopic slides, steel for side mounting, over-extension, load capacity up to 70 kg

Item description/product images

## 19"



### Description

#### Material:

Slides steel.  
Ball cages steel.  
Balls, steel.

#### Version:

Slides electro zinc-plated.  
Ball cages, electro zinc-plated.  
Balls hardened.

#### Note for ordering:

Sold in pairs.  
Fastening material included.

#### Note:

On telescopic slides with over-extension, the travel is greater than the installed length. Latches in open position. When the release lever is actuated, the drawer can be taken out easily and separated from the guide.

The dynamic load capacity of the telescopic slides indicates the maximum load rating of a vertically mounted slide pair when the entire extension length is used. The load capacities specified refer to the maximum value for 10,000 cycles.

The load capacity is ca. 75% lower by horizontal mounting.

The head height of the fastening screws should not exceed 2.5 mm otherwise there is a risk of collision with other parts of the slide.

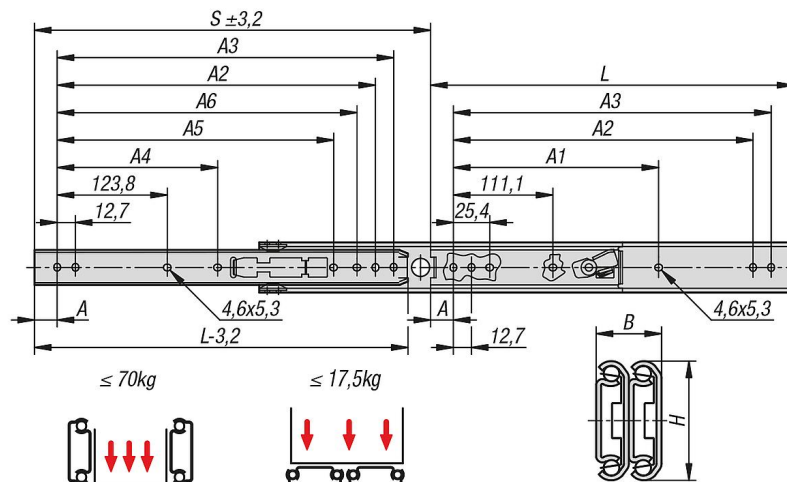
#### Temperature range:

-20°C to +110°C.

#### Advantages:

Latches in open position  
Quick frontal release

### Drawings



# Telescopic slides, steel for side mounting, over-extension, load capacity up to 70 kg

## Overview of items

### Steel telescopic slides for side mounting, over-extension, load capacity up to 70 kg

Order No.	Assembly	Product type	Loading per pair kg	Packaging type
K1713.0305	side mounting	standard	70	1 piece = 1 pair
K1713.0356	side mounting	standard	68	1 piece = 1 pair
K1713.0406	side mounting	standard	65	1 piece = 1 pair
K1713.0457	side mounting	standard	62	1 piece = 1 pair
K1713.0508	side mounting	standard	57	1 piece = 1 pair
K1713.0559	side mounting	standard	52	1 piece = 1 pair
K1713.0610	side mounting	standard	46	1 piece = 1 pair
K1713.0660	side mounting	standard	41	1 piece = 1 pair
K1713.0711	side mounting	standard	36	1 piece = 1 pair

Order No.	A	A1	A2	A3	A4	A5	A6	B	H	Travel S	L
K1713.0305	15,9	-	260,3	273	-	-	-	19,1	35,3	327	305
K1713.0356	15,9	-	311,1	323,8	-	-	298,4	19,1	35,3	378	356
K1713.0406	15,9	250,8	361,9	374,6	-	-	349,2	19,1	35,3	429	406
K1713.0457	15,9	301,6	412,7	425,4	212,7	-	400	19,1	35,3	479,5	457
K1713.0508	15,9	352,4	463,5	476,2	238,1	365,2	450,8	19,1	35,3	530,5	508
K1713.0559	15,9	403,2	514,3	527	263,5	415,9	501,6	19,1	35,3	581	559
K1713.0610	15,9	454	565,1	577,8	288,9	466,7	552,4	19,1	35,3	632	610
K1713.0660	15,9	504,8	615,9	628,6	314,3	517,7	603,2	19,1	35,3	683	660
K1713.0711	15,9	555,6	666,7	679,4	339,7	568,3	654	19,1	35,3	733,5	711