

## Remote release, zinc

### Item description/product images



### Description

**Material:**

Grip and housing die-cast zinc.

**Version:**

Grip and housing powder-coated black or silver.

**Note:**

When the grip is pulled out, hatches, covers, hoods or doors can be opened remotely and invisibly via Bowden cable.

The lockable releases are each supplied with 2 keys. The key can be removed in both positions (open and closed). The locks have a single key system, i.e. every lock can be opened with the same key. The Bowden cable is not included.

**Application:**

The remote actuation is used where tight spaces make actuation difficult or where remote actuation is required for ergonomic or safety reasons.

**Assembly:**

Form A: rear.

Form B: front.

**Advantages:**

Actuation possible in inaccessible assembly spaces.

Ergonomically optimised actuating position possible.

Actuation possible even when safety distances are required.

**Accessory:**

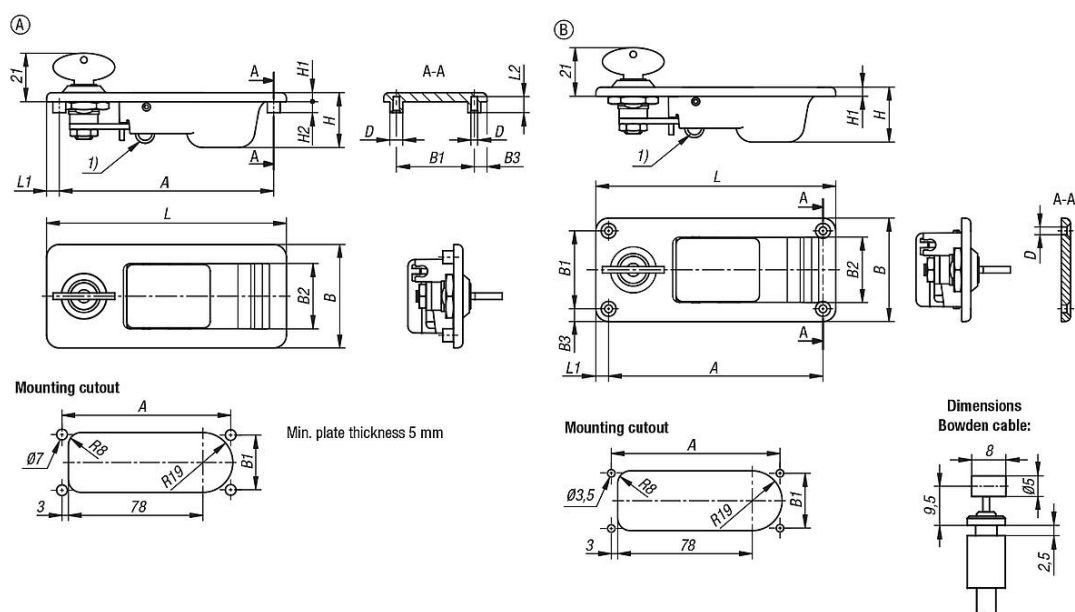
Bowden cable K1646.

**Drawing reference:**

1) Bowden cable link

## Remote release, zinc

### Drawings



### Overview of items

#### Remote release, zinc

Order No.	Version 1	Form	Main colour	Component colour	A	B	B1	B2	B3	D	D1	H	H2	L	L1	L2	Assembly
K1481.2111114511	with lock	A	black	black	99	47,9	36	30,1	6	2,65	6	25,5	5	110,9	6	7,4	mounting from the rear
K1481.2101114511	with lock	B	black	black	99	47,9	36	30,1	6	3,4	-	25,5	-	110,9	6	-	mounting from the front
K1481.2011114511	without lock	A	black	black	99	47,9	36	30,1	6	2,65	6	25,5	5	110,9	6	7,4	mounting from the rear
K1481.2001114511	without lock	B	black	black	99	47,9	36	30,1	6	3,4	-	25,5	-	110,9	6	-	mounting from the front
K1481.2111114522	with lock	A	silver	silver	99	47,9	36	30,1	6	2,65	6	25,5	5	110,9	6	7,4	mounting from the rear
K1481.2101114522	with lock	B	silver	silver	99	47,9	36	30,1	6	3,4	-	25,5	-	110,9	6	-	mounting from the front
K1481.2011114522	without lock	A	silver	silver	99	47,9	36	30,1	6	2,65	6	25,5	5	110,9	6	7,4	mounting from the rear
K1481.2001114522	without lock	B	silver	silver	99	47,9	36	30,1	6	3,4	-	25,5	-	110,9	6	-	mounting from the front
K1481.2111114512	with lock	A	black	silver	99	47,9	36	30,1	6	2,65	6	25,5	5	110,9	6	7,4	mounting from the rear
K1481.2101114512	with lock	B	black	silver	99	47,9	36	30,1	6	3,4	-	25,5	-	110,9	6	-	mounting from the front
K1481.2011114512	without lock	A	black	silver	99	47,9	36	30,1	6	2,65	6	25,5	5	110,9	6	7,4	mounting from the rear
K1481.2001114512	without lock	B	black	silver	99	47,9	36	30,1	6	3,4	-	25,5	-	110,9	6	-	mounting from the front
K1481.2111114521	with lock	A	silver	black	99	47,9	36	30,1	6	2,65	6	25,5	5	110,9	6	7,4	mounting from the rear
K1481.2101114521	with lock	B	silver	black	99	47,9	36	30,1	6	3,4	-	25,5	-	110,9	6	-	mounting from the front
K1481.2011114521	without lock	A	silver	black	99	47,9	36	30,1	6	2,65	6	25,5	5	110,9	6	7,4	mounting from the rear
K1481.2001114521	without lock	B	silver	black	99	47,9	36	30,1	6	3,4	-	25,5	-	110,9	6	-	mounting from the front