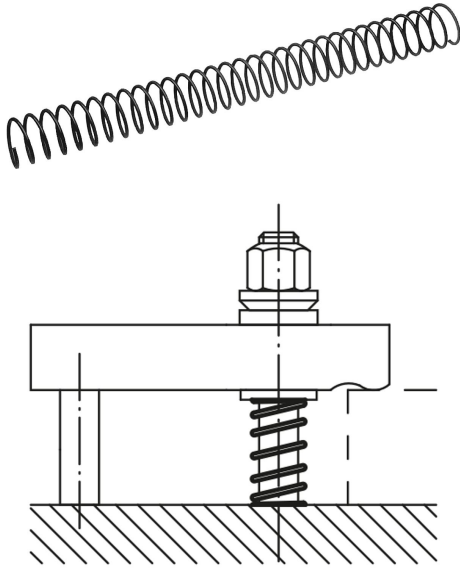


Springs for clamp straps

Item description/product images



Description

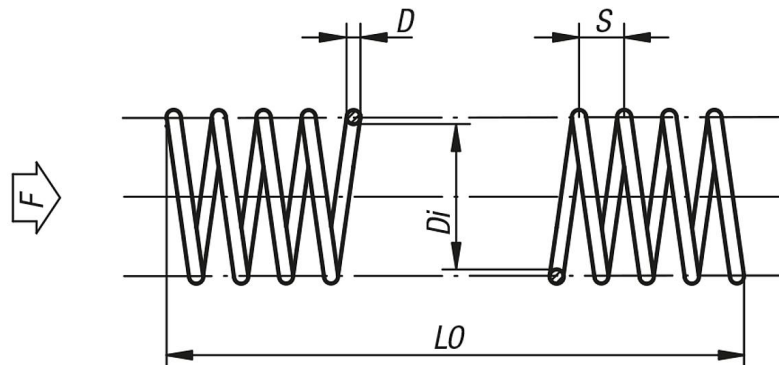
Material:

Spring steel wire EN 10270-1-DH.

Note:

Springs are only available in 400 mm lengths.

Drawings



Overview of items

Springs for clamp straps

Order No.	D	Di	LO	S	Spring force F approx. (N)	Compression factor under f
K1554.06	1	6,5	400	3	32	1,3
K1554.08	1	8,5	400	4	25	2,1
K1554.10	1,2	10,5	400	4	35	2,7
K1554.12	1,4	12,5	400	5	47	3,3
K1554.14	1,5	14,5	400	6	50	4
K1554.16	1,6	16,5	400	7	53	4,8
K1554.18	1,8	18,5	400	7	68	5,4
K1554.20	1,8	20,5	400	8	62	6,5
K1554.24	2	25	400	9	70	8,6

