

# Lower standard clamping jaw, Form A

Item description/product images

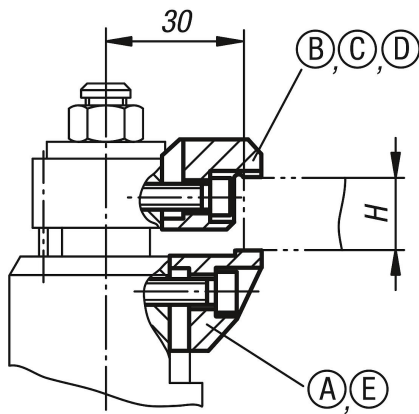


## Description

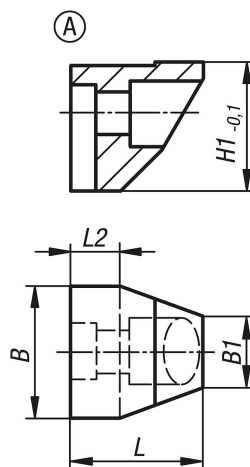
**Material:**  
Steel.

**Version:**  
Nitrided and black oxidised.

**Note:**  
The clamping jaws can be used for floating clamps to increase the clamping range.



## Drawings



| Order No.   | H = clamping range max. in combination with K1490.90000 [mm] | H = clamping range max. in combination with K1490.910000 [mm] |
|-------------|--|---|
| K1490.90416 | 4-16   | -   |
| K1490.91527 | 15-27  | -   |
| K1490.92638 | 26-38  | -   |
| K1490.90029 | 29   | 23  |
| K1490.90040 | 40   | 34  |

**Lower standard clamping jaw, Form A****Overview of items**

| Order No.   | Form | Version 1          | B  | B1 | H1   | L  | L2 |
|-------------|------|--------------------|----|----|------|----|----|
| K1490.90000 | A    | standard lower jaw | 28 | 15 | 26,8 | 28 | 10 |