

## Toggle clamps vertical with straight foot and adjustable clamping spindle

Item description/product images



### Description

**Material:**

Steel.

**Version:**

Electro zinc-plated steel.

Plastic handle, oil-resistant.

**Note:**

A neoprene thrust pad is supplied with version K1248.02400.

**Accessory:**

K0688

K0689

K0690

K0101

K1442

K0102

K0103

K1443

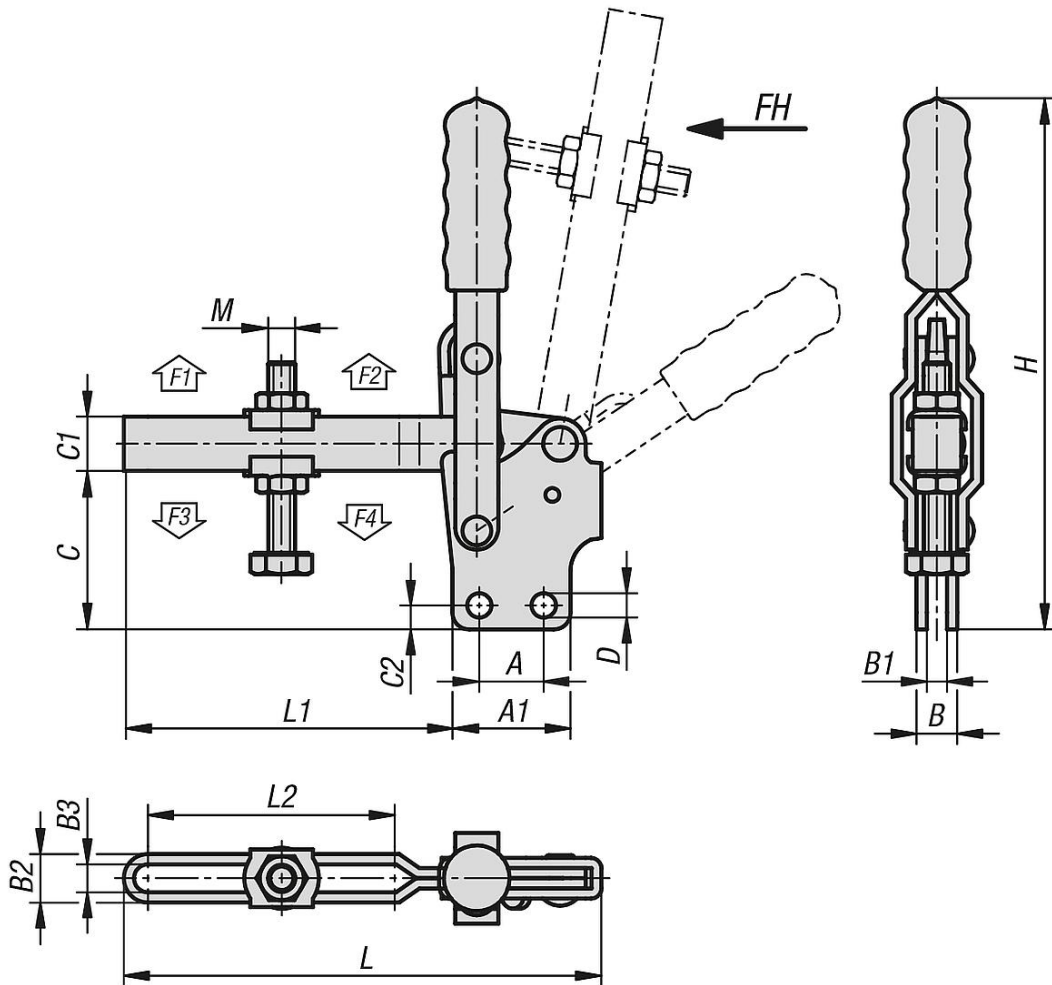
K0104

K0106

K1441

# Toggle clamps vertical with straight foot and adjustable clamping spindle

Drawings



## Overview of items

### Toggle clamps vertical with straight foot and adjustable clamping spindle

Order No.	Opening angle of holding arm	Opening angle of handle	Hand force FH N	Retaining force F1 N	Retaining force F2 N	Clamping force F3 N	Clamping force F4 N
K1248.02400	100°	56°	150	1200	2400	800	1600
K1248.07000	90°	70°	250	3200	7000	1400	3000
K1248.08000	100°	50°	280	3000	8000	1800	3900

Order No.	A	A1	B	B1	B2	B3	C	C1	C2	D	H	L	L1	L2	M
K1248.02400	19	34,9	12	6	14,3	8,3	46,8	16	7,1	7,2	156	141	97	73,2	M8x63
K1248.07000	32	53	20	10	22,7	12,7	70,4	25	9,5	8,7	245	177	124	90	M12x100
K1248.08000	50,8	76,2	20	10	26,5	16,5	113,5	31,8	12,7	12,3	335	229,2	153	105	M16x150