

Tension levers flat external thread, stainless steel, 0°

Item description/product images



Description

Material:

Steel parts stainless steel 1.4305.

Ball knob black plastic.

Version:

Steel parts bright.

On request:

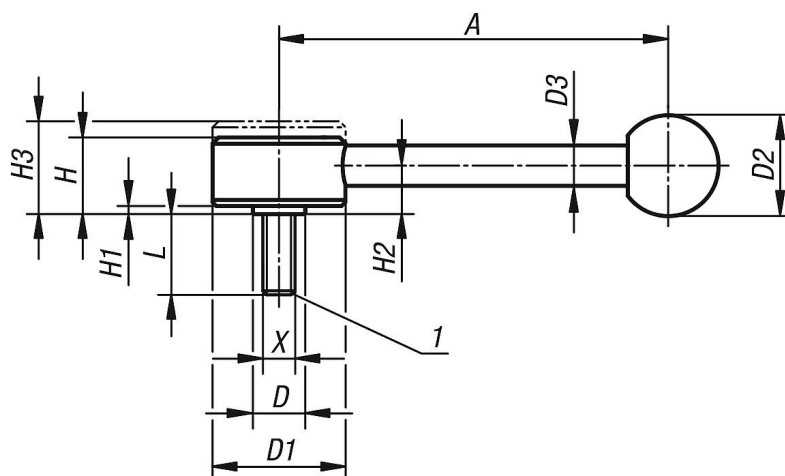
Other threads, screw lengths and special versions.

Dimensions "H1" and "A" available in other lengths at extra charge.

Drawing reference:

1) flat point DIN EN ISO 4753

Drawings



Overview of items

Order No.	Form	X	A=Handle length	D	D1	D2	D3	H	H1	H2	H3	No. of teeth	L
K0129.1081X30	0°	M8	102	13,5	33	25	10	19	2	12	23	26	30
K0129.1081X40	0°	M8	102	13,5	33	25	10	19	2	12	23	26	40
K0129.1081X50	0°	M8	102	13,5	33	25	10	19	2	12	23	26	50
K0129.2101X30	0°	M10	131	19	41	30	12	22	2	13,5	26	30	30
K0129.2101X40	0°	M10	131	19	41	30	12	22	2	13,5	26	30	40
K0129.2101X50	0°	M10	131	19	41	30	12	22	2	13,5	26	30	50
K0129.2101X60	0°	M10	131	19	41	30	12	22	2	13,5	26	30	60
K0129.2121X30	0°	M12	131	19	41	30	12	22	2	13,5	26	30	30
K0129.2121X40	0°	M12	131	19	41	30	12	22	2	13,5	26	30	40
K0129.2121X50	0°	M12	131	19	41	30	12	22	2	13,5	26	30	50
K0129.2121X60	0°	M12	131	19	41	30	12	22	2	13,5	26	30	60
K0129.3161X40	0°	M16	148	23	45	37	14	28	2	17	33	36	40
K0129.3161X50	0°	M16	148	23	45	37	14	28	2	17	33	36	50
K0129.3161X60	0°	M16	148	23	45	37	14	28	2	17	33	36	60

