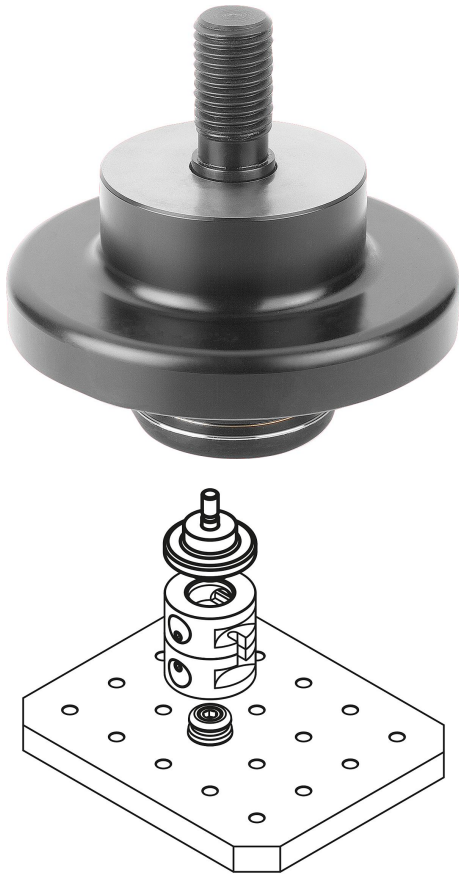


## UNILOCK 5-axis reducer adapter system size 138 mm

### Item description/product images



### Description

**Material:**

Steel.

**Version:**

Main body oxidised.

Contact faces case-hardened and ground.

**Note:**

The UNILOCK 5-axis reducer adapter is suitable for clamping and positioning workpieces.

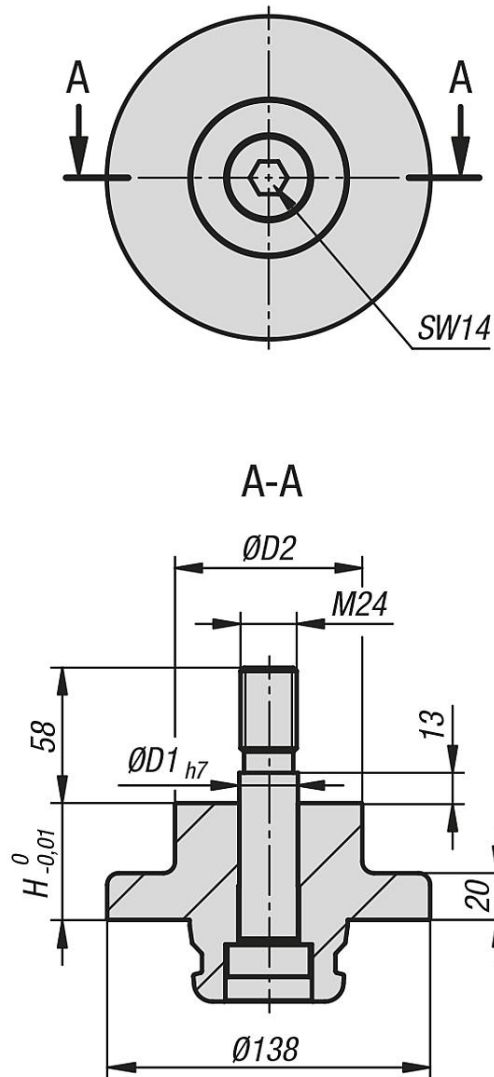
Reducer adapters can be screwed onto the workpiece and mounted on the basic module or add-on clamp module.

**On request:**

Other versions.

UNILOCK 5-axis reducer adapter system size 138 mm

Drawings



Overview of items

UNILOCK 5-axis reducer adapter, system size 138 mm

Order No.	D1	D2	H
K1422.0501241080	25	80	50