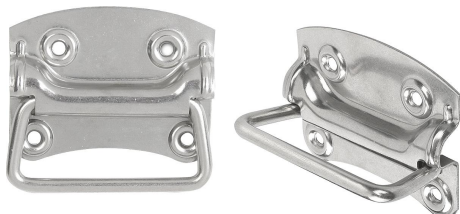


Fold-down handles, stainless steel, DIN 3136

Item description/product images



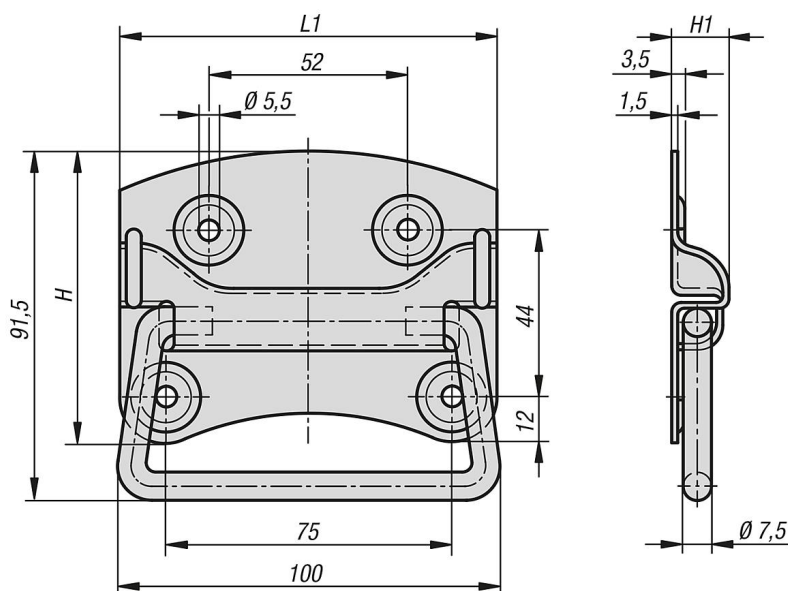
Description

Material:
Stainless steel 1.4301.

Version:
Bright.

Applications:
Crates, chests, lids.

Drawings



Overview of items

Recessed handles, fold down DIN 3136

Order No.	H	H1	L1	Load capacity N
K1369.100	77	14	100	500