

Clamping levers, plastic with external thread and brass thrust pin, threaded insert black oxidised steel

Item description/product images



Description

Material:

Handles fibreglass reinforced plastic with die-cast zinc toothed rings.

Steel parts grade 5.8.

Thrust pin, brass.

Version:

Steel parts black oxidised.

Note:

The various different thrust pins are used to avoid pressure marks, compensate for unevenness or increase the grip on the workpiece.

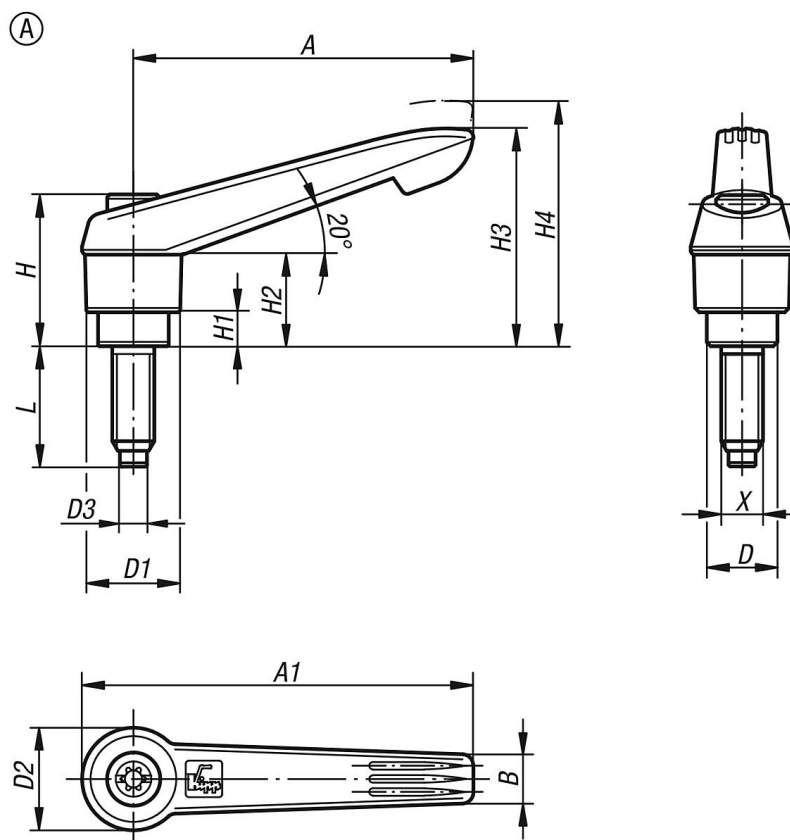
Where $L \geq 60$ mm the thread length is always 60 mm.

lift to
disengage



Clamping levers, plastic with external thread and brass thrust pin, threaded insert black oxidised steel

Drawings



Overview of items

| Order No. | Form | Component material | Size | X | D | D1 | D2 | D3 | H | H1 | H2 | H3 | H4 | A | A1 | B | No. of teeth | L |
|----------------|------|--------------------|------|-----|------|----|------|-----|------|-----|------|------|------|----|----|-----|--------------|----|
| K0780.11051X20 | A | pin brass | 1 | M5 | 10 | 13 | 14,5 | 3 | 24,5 | 4 | 15 | 30 | 33,5 | 40 | 47 | 7,5 | 16 | 20 |
| K0780.11051X30 | A | pin brass | 1 | M5 | 10 | 13 | 14,5 | 3 | 24,5 | 4 | 15 | 30 | 33,5 | 40 | 47 | 7,5 | 16 | 30 |
| K0780.11051X40 | A | pin brass | 1 | M5 | 10 | 13 | 14,5 | 3 | 24,5 | 4 | 15 | 30 | 33,5 | 40 | 47 | 7,5 | 16 | 40 |
| K0780.11051X50 | A | pin brass | 1 | M5 | 10 | 13 | 14,5 | 3 | 24,5 | 4 | 15 | 30 | 33,5 | 40 | 47 | 7,5 | 16 | 50 |
| K0780.11061X20 | A | pin brass | 1 | M6 | 10 | 13 | 14,5 | 4 | 24,5 | 4 | 15 | 30 | 33,5 | 40 | 47 | 7,5 | 16 | 20 |
| K0780.11061X30 | A | pin brass | 1 | M6 | 10 | 13 | 14,5 | 4 | 24,5 | 4 | 15 | 30 | 33,5 | 40 | 47 | 7,5 | 16 | 30 |
| K0780.11061X40 | A | pin brass | 1 | M6 | 10 | 13 | 14,5 | 4 | 24,5 | 4 | 15 | 30 | 33,5 | 40 | 47 | 7,5 | 16 | 40 |
| K0780.11061X50 | A | pin brass | 1 | M6 | 10 | 13 | 14,5 | 4 | 24,5 | 4 | 15 | 30 | 33,5 | 40 | 47 | 7,5 | 16 | 50 |
| K0780.12061X20 | A | pin brass | 2 | M6 | 13,5 | 18 | 19,5 | 4 | 28,5 | 6,5 | 17,5 | 41,5 | 45,5 | 65 | 75 | 9,5 | 20 | 20 |
| K0780.12061X30 | A | pin brass | 2 | M6 | 13,5 | 18 | 19,5 | 4 | 28,5 | 6,5 | 17,5 | 41,5 | 45,5 | 65 | 75 | 9,5 | 20 | 30 |
| K0780.12061X40 | A | pin brass | 2 | M6 | 13,5 | 18 | 19,5 | 4 | 28,5 | 6,5 | 17,5 | 41,5 | 45,5 | 65 | 75 | 9,5 | 20 | 40 |
| K0780.12061X50 | A | pin brass | 2 | M6 | 13,5 | 18 | 19,5 | 4 | 28,5 | 6,5 | 17,5 | 41,5 | 45,5 | 65 | 75 | 9,5 | 20 | 50 |
| K0780.12061X60 | A | pin brass | 2 | M6 | 13,5 | 18 | 19,5 | 4 | 28,5 | 6,5 | 17,5 | 41,5 | 45,5 | 65 | 75 | 9,5 | 20 | 60 |
| K0780.12081X20 | A | pin brass | 2 | M8 | 13,5 | 18 | 19,5 | 5,5 | 28,5 | 6,5 | 17,5 | 41,5 | 45,5 | 65 | 75 | 9,5 | 20 | 20 |
| K0780.12081X30 | A | pin brass | 2 | M8 | 13,5 | 18 | 19,5 | 5,5 | 28,5 | 6,5 | 17,5 | 41,5 | 45,5 | 65 | 75 | 9,5 | 20 | 30 |
| K0780.12081X40 | A | pin brass | 2 | M8 | 13,5 | 18 | 19,5 | 5,5 | 28,5 | 6,5 | 17,5 | 41,5 | 45,5 | 65 | 75 | 9,5 | 20 | 40 |
| K0780.12081X50 | A | pin brass | 2 | M8 | 13,5 | 18 | 19,5 | 5,5 | 28,5 | 6,5 | 17,5 | 41,5 | 45,5 | 65 | 75 | 9,5 | 20 | 50 |
| K0780.12081X60 | A | pin brass | 2 | M8 | 13,5 | 18 | 19,5 | 5,5 | 28,5 | 6,5 | 17,5 | 41,5 | 45,5 | 65 | 75 | 9,5 | 20 | 60 |
| K0780.12101X20 | A | pin brass | 2 | M10 | 13,5 | 18 | 19,5 | 7 | 28,5 | 6,5 | 17,5 | 41,5 | 45,5 | 65 | 75 | 9,5 | 20 | 20 |
| K0780.12101X30 | A | pin brass | 2 | M10 | 13,5 | 18 | 19,5 | 7 | 28,5 | 6,5 | 17,5 | 41,5 | 45,5 | 65 | 75 | 9,5 | 20 | 30 |
| K0780.12101X40 | A | pin brass | 2 | M10 | 13,5 | 18 | 19,5 | 7 | 28,5 | 6,5 | 17,5 | 41,5 | 45,5 | 65 | 75 | 9,5 | 20 | 40 |
| K0780.12101X50 | A | pin brass | 2 | M10 | 13,5 | 18 | 19,5 | 7 | 28,5 | 6,5 | 17,5 | 41,5 | 45,5 | 65 | 75 | 9,5 | 20 | 50 |
| K0780.12101X60 | A | pin brass | 2 | M10 | 13,5 | 18 | 19,5 | 7 | 28,5 | 6,5 | 17,5 | 41,5 | 45,5 | 65 | 75 | 9,5 | 20 | 60 |

**Clamping levers, plastic with external thread and brass thrust pin,
threaded insert black oxidised steel**

Overview of items
