

Indexing plungers, steel or stainless steel with plastic mushroom grip, lock and locknut

Item description/product images



Description

Material:

Steel version:
threaded sleeve and indexing pin, steel.

Stainless steel version:
indexing pin not hardened.
Threaded sleeve and indexing pin 1.4305.

Mushroom grip, black grey thermoplastic.
Release button, red thermoplastic.

Version:

Steel version:
threaded sleeve, black oxidised.
Indexing pin hardened, ground and black oxidised.

Stainless steel version:
threaded sleeve, bright.
Indexing pin not hardened, ground and bright.

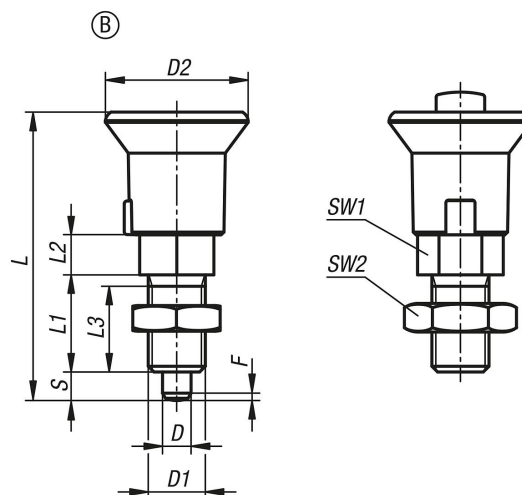
Note:

Indexing plungers are used where any change in locking position due to lateral forces should be prevented.

The locking mechanism is activated by pressing the push button.

The red release button enables the indexed position to be changed.

Drawings



Overview of items

Order No.	Form	Main material	Surface finish body	D	D1	D2	L	L1	L2	L3	Travel S	SW1	SW2	Fx30°	return force N
K1213.21051	B	steel	hardened	5	M10x1	25	50,5	17	7	15	5	13	17	1,3	8-12
K1213.22061	B	steel	hardened	6	M12x1,5	25	55,5	20	8	17	6	14	19	1,8	4-12
K1213.23081	B	steel	hardened	8	M16x1,5	33	76	26	10	23	8	19	24	2,3	10-20
K1213.24101	B	steel	hardened	10	M20x1,5	33	82	28	12	25	10	22	30	2,8	3-23

Indexing plungers, steel or stainless steel with plastic mushroom grip, lock and locknut

Overview of items

Order No.	Form	Main material	Surface finish body	D	D1	D2	L	L1	L2	L3	Travel S	SW1	SW2	Fx30°	return force N
K1213.121051	B	stainless steel	not hardened	5	M10x1	25	50,5	17	7	15	5	13	17	1,3	8-12
K1213.122061	B	stainless steel	not hardened	6	M12x1,5	25	55,5	20	8	17	6	14	19	1,8	4-12
K1213.123081	B	stainless steel	not hardened	8	M16x1,5	33	76	26	10	23	8	19	24	2,3	10-20
K1213.124101	B	stainless steel	not hardened	10	M20x1,5	33	82	28	12	25	10	22	30	2,8	3-23