

## Pull handles, plastic, high temperature resistant

### Item description/product images



### Description

#### Material:

Thermoplastic PPA (resistant to high temperatures), fibreglass reinforced.  
Bush, stainless steel.

#### Version:

Black.

#### Note:

This pull handle is characterised by its large size and pleasant haptics.  
Easy to clean due to its closed, smooth design (suitable for e.g. foodstuff production and medical technology).

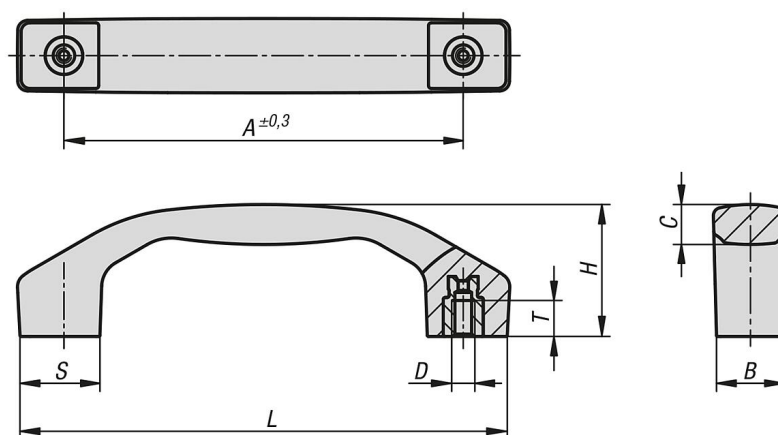
#### Temperature range:

Continuous operating temperature acc. to IEC 216 max. 160 °C.  
Short-term operating temperature: max. 250 °C.  
Suitable for steam sterilisation (medical technology).

#### Assembly:

From the rear.

### Drawings



### Overview of items

#### Pull handles, high temperature resistant

Order No.	Form	A	B	C	D	H	L	S	T	Load capacity N
K1060.2100054	B	100	17	10,3	M5	34	122,5	20	9	1000
K1060.2120064	B	120	21	12,4	M6	41	146	24	12	1000
K1060.2140084	B	140	24	15,4	M8	46,5	170	28	12	1000

