

# Cam levers, stainless steel with internal or external thread, thrust washer and stud stainless steel

Item description/product images



## Description

### Material:

Handle 1.4308 stainless steel.

Thrust washer 1.4034 stainless steel, hardened.

Hinge pin and stud 1.4305 stainless steel.

### Version:

Handle electropolished or blasted.

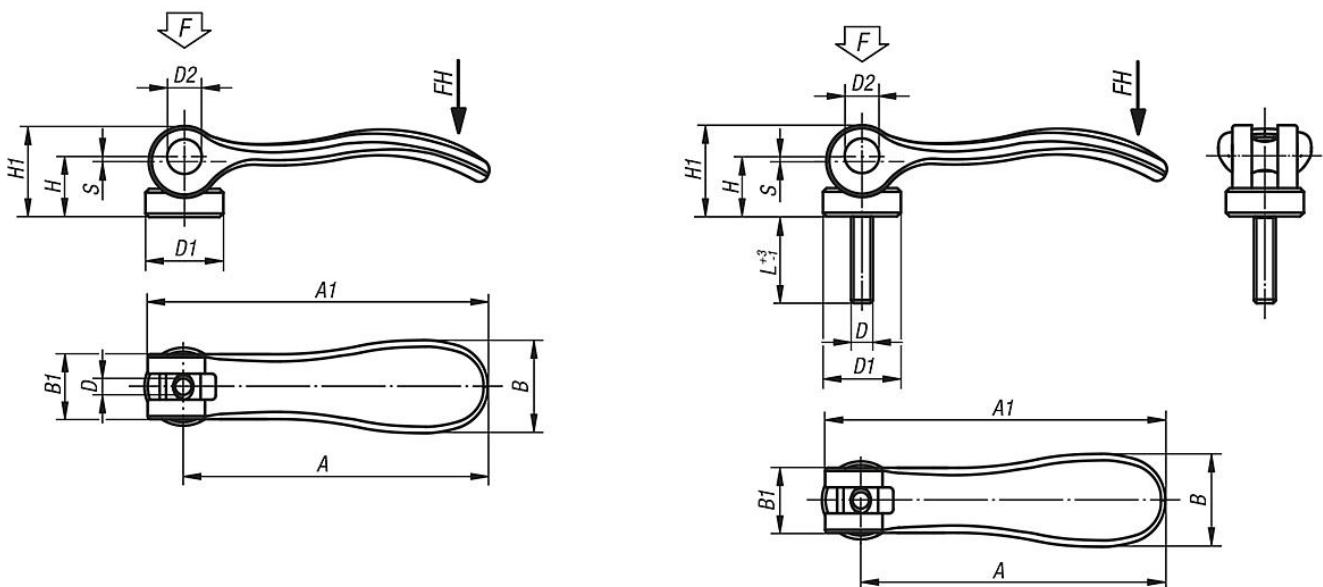
Thrust washer, hinge pin and screw bright.

### Note:

The thrust washer face is lightly greased before delivery.

The grease is FDA conform and is suitable for use in the foodstuff and pharmaceutical industries.

## Drawings



## Overview of items

### Cam levers, stainless steel with internal or external thread, thrust washer stainless steel

Order No.	Thread type	Surface finish body	D	D1	D2	B	B1	H	H1	A	A1	L	Travel S	Clamping force F (kN)	Hand force FH N
K0645.9541003	internal thread	electropolished	M3	12	6	14,4	11,5	9	13,5	36,2	41,7	-	1	1,5	90
K0645.9541004	internal thread	electropolished	M4	12	6	14,4	11,5	9	13,5	36,2	41,7	-	1	1,5	90
K0645.0541004	internal thread	electropolished	M4	15,4	8	18	13	11,4	17,2	52,3	59,1	-	1	2,5	100
K0645.0541005	internal thread	electropolished	M5	15,4	8	18	13	11,4	17,2	52,3	59,1	-	1	2,5	100
K0645.1541005	internal thread	electropolished	M5	18	9	21,5	15	14,7	22	70,4	79,2	-	1,2	4	120
K0645.1541006	internal thread	electropolished	M6	18	9	21,5	15	14,7	22	70,4	79,2	-	1,2	4	120
K0645.2541008	internal thread	electropolished	M8	27	11	33,3	24	18,3	28,8	96	108	-	1,5	8	350
K0645.9541303	internal thread	blasted	M3	12	6	14,4	11,5	9	13,5	36,2	41,7	-	1	1,5	90
K0645.9541304	internal thread	blasted	M4	12	6	14,4	11,5	9	13,5	36,2	41,7	-	1	1,5	90

# Cam levers, stainless steel with internal or external thread, thrust washer and stud stainless steel

## Overview of items

Order No.	Thread type	Surface finish body	D	D1	D2	B	B1	H	H1	A	A1	L	Travel S	Clamping force F (kN)	Hand force FH N
K0645.0541304	internal thread	blasted	M4	15,4	8	18	13	11,4	17,2	52,3	59,1	-	1	2,5	100
K0645.0541305	internal thread	blasted	M5	15,4	8	18	13	11,4	17,2	52,3	59,1	-	1	2,5	100
K0645.1541305	internal thread	blasted	M5	18	9	21,5	15	14,7	22	70,4	79,2	-	1,2	4	120
K0645.1541306	internal thread	blasted	M6	18	9	21,5	15	14,7	22	70,4	79,2	-	1,2	4	120
K0645.2541308	internal thread	blasted	M8	27	11	33,3	24	18,3	28,8	96	108	-	1,5	8	350
K0645.9541003X10	external thread	electropolished	M3	12	6	14,4	11,5	9	13,5	36,2	41,7	10	1	1,5	90
K0645.9541003X15	external thread	electropolished	M3	12	6	14,4	11,5	9	13,5	36,2	41,7	15	1	1,5	90
K0645.9541003X30	external thread	electropolished	M3	12	6	14,4	11,5	9	13,5	36,2	41,7	30	1	1,5	90
K0645.9541004X10	external thread	electropolished	M4	12	6	14,4	11,5	9	13,5	36,2	41,7	10	1	1,5	90
K0645.9541004X15	external thread	electropolished	M4	12	6	14,4	11,5	9	13,5	36,2	41,7	15	1	1,5	90
K0645.9541004X30	external thread	electropolished	M4	12	6	14,4	11,5	9	13,5	36,2	41,7	30	1	1,5	90
K0645.0541004X15	external thread	electropolished	M4	15,4	8	18	13	11,4	17,2	52,3	59,1	15	1	2,5	100
K0645.0541004X20	external thread	electropolished	M4	15,4	8	18	13	11,4	17,2	52,3	59,1	20	1	2,5	100
K0645.0541004X30	external thread	electropolished	M4	15,4	8	18	13	11,4	17,2	52,3	59,1	30	1	2,5	100
K0645.0541005X20	external thread	electropolished	M5	15,4	8	18	13	11,4	17,2	52,3	59,1	20	1	2,5	100
K0645.0541005X30	external thread	electropolished	M5	15,4	8	18	13	11,4	17,2	52,3	59,1	30	1	2,5	100
K0645.0541005X40	external thread	electropolished	M5	15,4	8	18	13	11,4	17,2	52,3	59,1	40	1	2,5	100
K0645.0541005X50	external thread	electropolished	M5	15,4	8	18	13	11,4	17,2	52,3	59,1	50	1	2,5	100
K0645.1541005X20	external thread	electropolished	M5	18	9	21,5	15	14,7	22	70,4	79,2	20	1,2	4	120
K0645.1541005X30	external thread	electropolished	M5	18	9	21,5	15	14,7	22	70,4	79,2	30	1,2	4	120
K0645.1541005X40	external thread	electropolished	M5	18	9	21,5	15	14,7	22	70,4	79,2	40	1,2	4	120
K0645.1541005X50	external thread	electropolished	M5	18	9	21,5	15	14,7	22	70,4	79,2	50	1,2	4	120
K0645.1541006X20	external thread	electropolished	M6	18	9	21,5	15	14,7	22	70,4	79,2	20	1,2	4	120
K0645.1541006X30	external thread	electropolished	M6	18	9	21,5	15	14,7	22	70,4	79,2	30	1,2	4	120
K0645.1541006X40	external thread	electropolished	M6	18	9	21,5	15	14,7	22	70,4	79,2	40	1,2	4	120
K0645.1541006X50	external thread	electropolished	M6	18	9	21,5	15	14,7	22	70,4	79,2	50	1,2	4	120
K0645.2541008X25	external thread	electropolished	M8	27	11	33,3	24	18,3	28,8	96	108	25	1,5	8	350
K0645.2541008X30	external thread	electropolished	M8	27	11	33,3	24	18,3	28,8	96	108	30	1,5	8	350
K0645.2541008X40	external thread	electropolished	M8	27	11	33,3	24	18,3	28,8	96	108	40	1,5	8	350
K0645.2541008X50	external thread	electropolished	M8	27	11	33,3	24	18,3	28,8	96	108	50	1,5	8	350
K0645.2541010X25	external thread	electropolished	M10	27	11	33,3	24	18,3	28,8	96	108	25	1,5	8	350
K0645.2541010X30	external thread	electropolished	M10	27	11	33,3	24	18,3	28,8	96	108	30	1,5	8	350
K0645.2541010X40	external thread	electropolished	M10	27	11	33,3	24	18,3	28,8	96	108	40	1,5	8	350
K0645.2541010X50	external thread	electropolished	M10	27	11	33,3	24	18,3	28,8	96	108	50	1,5	8	350
K0645.9541303X10	external thread	blasted	M3	12	6	14,4	11,5	9	13,5	36,2	41,7	10	1	1,5	90
K0645.9541303X15	external thread	blasted	M3	12	6	14,4	11,5	9	13,5	36,2	41,7	15	1	1,5	90
K0645.9541303X30	external thread	blasted	M3	12	6	14,4	11,5	9	13,5	36,2	41,7	30	1	1,5	90
K0645.9541304X10	external thread	blasted	M4	12	6	14,4	11,5	9	13,5	36,2	41,7	10	1	1,5	90
K0645.9541304X15	external thread	blasted	M4	12	6	14,4	11,5	9	13,5	36,2	41,7	15	1	1,5	90
K0645.9541304X30	external thread	blasted	M4	12	6	14,4	11,5	9	13,5	36,2	41,7	30	1	1,5	90
K0645.0541304X15	external thread	blasted	M4	15,4	8	18	13	11,4	17,2	52,3	59,1	15	1	2,5	100
K0645.0541304X20	external thread	blasted	M4	15,4	8	18	13	11,4	17,2	52,3	59,1	20	1	2,5	100
K0645.0541304X30	external thread	blasted	M4	15,4	8	18	13	11,4	17,2	52,3	59,1	30	1	2,5	100
K0645.0541305X20	external thread	blasted	M5	15,4	8	18	13	11,4	17,2	52,3	59,1	20	1	2,5	100
K0645.0541305X30	external thread	blasted	M5	15,4	8	18	13	11,4	17,2	52,3	59,1	30	1	2,5	100
K0645.0541305X40	external thread	blasted	M5	15,4	8	18	13	11,4	17,2	52,3	59,1	40	1	2,5	100
K0645.0541305X50	external thread	blasted	M5	15,4	8	18	13	11,4	17,2	52,3	59,1	50	1	2,5	100
K0645.1541305X20	external thread	blasted	M5	18	9	21,5	15	14,7	22	70,4	79,2	20	1,2	4	120
K0645.1541305X30	external thread	blasted	M5	18	9	21,5	15	14,7	22	70,4	79,2	30	1,2	4	120
K0645.1541305X40	external thread	blasted	M5	18	9	21,5	15	14,7	22	70,4	79,2	40	1,2	4	120
K0645.1541305X50	external thread	blasted	M5	18	9	21,5	15	14,7	22	70,4	79,2	50	1,2	4	120
K0645.1541306X20	external thread	blasted	M6	18	9	21,5	15	14,7	22	70,4	79,2	20	1,2	4	120
K0645.1541306X30	external thread	blasted	M6	18	9	21,5	15	14,7	22	70,4	79,2	30	1,2	4	120
K0645.1541306X40	external thread	blasted	M6	18	9	21,5	15	14,7	22	70,4	79,2	40	1,2	4	120
K0645.1541306X50	external thread	blasted	M6	18	9	21,5	15	14,7	22	70,4	79,2	50	1,2	4	120
K0645.2541308X25	external thread	blasted	M8	27	11	33,3	24	18,3	28,8	96	108	25	1,5	8	350
K0645.2541308X30	external thread	blasted	M8	27	11	33,3	24	18,3	28,8	96	108	30	1,5	8	350
K0645.2541308X40	external thread	blasted	M8	27	11	33,3	24	18,3	28,8	96	108	40	1,5	8	350
K0645.2541308X50	external thread	blasted	M8	27	11	33,3	24	18,3	28,8	96	108	50	1,5	8	350
K0645.2541310X25	external thread	blasted	M10	27	11	33,3	24	18,3	28,8	96	108	25	1,5	8	350
K0645.2541310X30	external thread	blasted	M10	27	11	33,3	24	18,3	28,8	96	108	30	1,5	8	350

## Cam levers, stainless steel with internal or external thread, thrust washer and stud stainless steel

### Overview of items

Order No.	Thread type	Surface finish body	D	D1	D2	B	B1	H	H1	A	A1	L	Travel S	Clamping force F (kN)	Hand force FH N
<b>K0645.2541310X40</b>	external thread	blasted	M10	27	11	33,3	24	18,3	28,8	96	108	40	1,5	8	350
<b>K0645.2541310X50</b>	external thread	blasted	M10	27	11	33,3	24	18,3	28,8	96	108	50	1,5	8	350