

Screws with countersunk head hexagon socket DIN EN ISO 10642, steel

Item description/product images

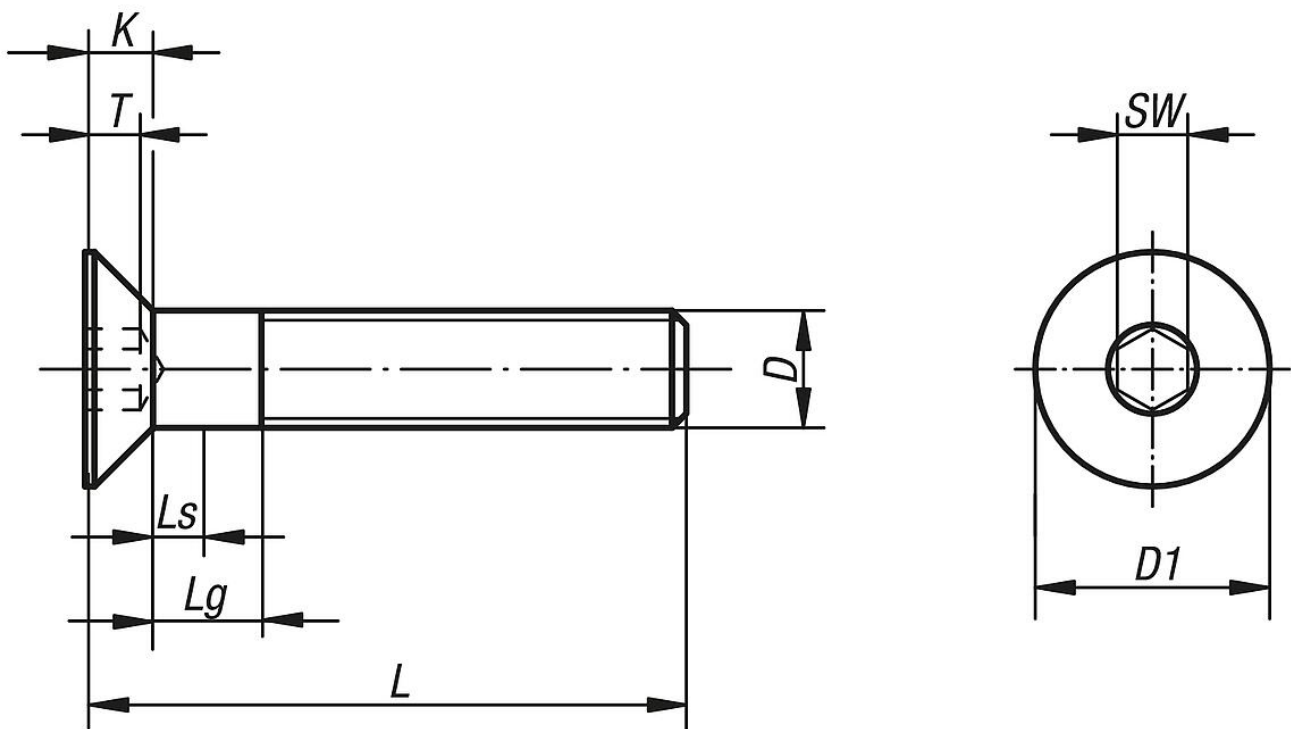


Description

Material:
Steel.

Version:
Steel grade 8.8, bright (black) or electro zinc-plated.
Steel grade 10.9, bright (black) or electro zinc-plated.

Drawings



Screws with countersunk head hexagon socket DIN EN ISO 10642, steel

Overview of items

Order No.	Material	Surface finish body	Grade	D	L	K	Ls min.	Lg max.	T	D1	SW
K0708.04X10	steel	bright (black)	8.8	M4	10	2,3	0	1,4	1,8	8	2,5
K0708.04X12	steel	bright (black)	8.8	M4	12	2,3	0	1,4	1,8	8	2,5
K0708.04X16	steel	bright (black)	8.8	M4	16	2,3	0	1,4	1,8	8	2,5
K0708.04X20	steel	bright (black)	8.8	M4	20	2,3	0	1,4	1,8	8	2,5
K0708.04X25	steel	bright (black)	8.8	M4	25	2,3	0	1,4	1,8	8	2,5
K0708.05X10	steel	bright (black)	8.8	M5	10	2,8	0	1,6	2,3	10	3
K0708.05X12	steel	bright (black)	8.8	M5	12	2,8	0	1,6	2,3	10	3
K0708.05X16	steel	bright (black)	8.8	M5	16	2,8	0	1,6	2,3	10	3
K0708.05X20	steel	bright (black)	8.8	M5	20	2,8	0	1,6	2,3	10	3
K0708.05X25	steel	bright (black)	8.8	M5	25	2,8	0	1,6	2,3	10	3
K0708.05X30	steel	bright (black)	8.8	M5	30	2,8	0	1,6	2,3	10	3
K0708.06X10	steel	bright (black)	8.8	M6	10	3,3	0	2	2,5	12	4
K0708.06X12	steel	bright (black)	8.8	M6	12	3,3	0	2	2,5	12	4
K0708.06X16	steel	bright (black)	8.8	M6	16	3,3	0	2	2,5	12	4
K0708.06X20	steel	bright (black)	8.8	M6	20	3,3	0	2	2,5	12	4
K0708.06X25	steel	bright (black)	8.8	M6	25	3,3	0	2	2,5	12	4
K0708.06X30	steel	bright (black)	8.8	M6	30	3,3	0	2	2,5	12	4
K0708.06X35	steel	bright (black)	8.8	M6	35	3,3	0	2	2,5	12	4
K0708.06X40	steel	bright (black)	8.8	M6	40	3,3	11	16	2,5	12	4
K0708.06X45	steel	bright (black)	8.8	M6	45	3,3	16	21	2,5	12	4
K0708.06X50	steel	bright (black)	8.8	M6	50	3,3	21	26	2,5	12	4
K0708.06X60	steel	bright (black)	8.8	M6	60	3,3	31	36	2,5	12	4
K0708.08X16	steel	bright (black)	8.8	M8	16	4,4	0	2,5	3,5	16	5
K0708.08X20	steel	bright (black)	8.8	M8	20	4,4	0	2,5	3,5	16	5
K0708.08X25	steel	bright (black)	8.8	M8	25	4,4	0	2,5	3,5	16	5
K0708.08X30	steel	bright (black)	8.8	M8	30	4,4	0	2,5	3,5	16	5
K0708.08X35	steel	bright (black)	8.8	M8	35	4,4	0	2,5	3,5	16	5
K0708.08X40	steel	bright (black)	8.8	M8	40	4,4	0	2,5	3,5	16	5
K0708.08X45	steel	bright (black)	8.8	M8	45	4,4	0	2,5	3,5	16	5
K0708.08X50	steel	bright (black)	8.8	M8	50	4,4	15,75	22	3,5	16	5
K0708.08X60	steel	bright (black)	8.8	M8	60	4,4	25,75	32	3,5	16	5
K0708.10X16	steel	bright (black)	8.8	M10	16	5,5	0	3	4,4	20	6
K0708.10X20	steel	bright (black)	8.8	M10	20	5,5	0	3	4,4	20	6
K0708.10X25	steel	bright (black)	8.8	M10	25	5,5	0	3	4,4	20	6
K0708.10X30	steel	bright (black)	8.8	M10	30	5,5	0	3	4,4	20	6
K0708.10X35	steel	bright (black)	8.8	M10	35	5,5	0	3	4,4	20	6
K0708.10X40	steel	bright (black)	8.8	M10	40	5,5	0	3	4,4	20	6
K0708.10X45	steel	bright (black)	8.8	M10	45	5,5	0	3	4,4	20	6
K0708.10X50	steel	bright (black)	8.8	M10	50	5,5	0	3	4,4	20	6
K0708.10X60	steel	bright (black)	8.8	M10	60	5,5	20,5	28	4,4	20	6
K0708.10X70	steel	bright (black)	8.8	M10	70	5,5	30,5	38	4,4	20	6
K0708.12X20	steel	bright (black)	8.8	M12	20	6,5	0	3,5	4,6	24	8
K0708.12X25	steel	bright (black)	8.8	M12	25	6,5	0	3,5	4,6	24	8
K0708.12X30	steel	bright (black)	8.8	M12	30	6,5	0	3,5	4,6	24	8
K0708.12X35	steel	bright (black)	8.8	M12	35	6,5	0	3,5	4,6	24	8
K0708.12X40	steel	bright (black)	8.8	M12	40	6,5	0	3,5	4,6	24	8
K0708.12X45	steel	bright (black)	8.8	M12	45	6,5	0	3,5	4,6	24	8
K0708.12X50	steel	bright (black)	8.8	M12	50	6,5	0	3,5	4,6	24	8
K0708.12X60	steel	bright (black)	8.8	M12	60	6,5	0	3,5	4,6	24	8
K0708.12X70	steel	bright (black)	8.8	M12	70	6,5	25,25	34	4,6	24	8
K0708.12X80	steel	bright (black)	8.8	M12	80	6,5	35,25	44	4,6	24	8
K0708.16X30	steel	bright (black)	8.8	M16	30	7,5	0	4	5,3	30	10
K0708.16X35	steel	bright (black)	8.8	M16	35	7,5	0	4	5,3	30	10
K0708.16X40	steel	bright (black)	8.8	M16	40	7,5	0	4	5,3	30	10
K0708.16X45	steel	bright (black)	8.8	M16	45	7,5	0	4	5,3	30	10
K0708.16X50	steel	bright (black)	8.8	M16	50	7,5	0	4	5,3	30	10
K0708.16X60	steel	bright (black)	8.8	M16	60	7,5	0	4	5,3	30	10
K0708.16X70	steel	bright (black)	8.8	M16	70	7,5	0	4	5,3	30	10
K0708.16X80	steel	bright (black)	8.8	M16	80	7,5	22	32	5,3	30	10
K0708.404X10	steel	galvanised	8.8	M4	10	2,3	0	1,4	1,8	8	2,5
K0708.404X12	steel	galvanised	8.8	M4	12	2,3	0	1,4	1,8	8	2,5
K0708.404X16	steel	galvanised	8.8	M4	16	2,3	0	1,4	1,8	8	2,5

Screws with countersunk head hexagon socket DIN EN ISO 10642, steel

Overview of items

Order No.	Material	Surface finish body	Grade	D	L	K	Ls min.	Lg max.	T	D1	SW
K0708.404X20	steel	galvanised	8.8	M4	20	2,3	0	1,4	1,8	8	2,5
K0708.404X25	steel	galvanised	8.8	M4	25	2,3	0	1,4	1,8	8	2,5
K0708.405X10	steel	galvanised	8.8	M5	10	2,8	0	1,6	2,3	10	3
K0708.405X12	steel	galvanised	8.8	M5	12	2,8	0	1,6	2,3	10	3
K0708.405X16	steel	galvanised	8.8	M5	16	2,8	0	1,6	2,3	10	3
K0708.405X20	steel	galvanised	8.8	M5	20	2,8	0	1,6	2,3	10	3
K0708.405X25	steel	galvanised	8.8	M5	25	2,8	0	1,6	2,3	10	3
K0708.405X30	steel	galvanised	8.8	M5	30	2,8	0	1,6	2,3	10	3
K0708.406X10	steel	galvanised	8.8	M6	10	3,3	0	2	2,5	12	4
K0708.406X12	steel	galvanised	8.8	M6	12	3,3	0	2	2,5	12	4
K0708.406X16	steel	galvanised	8.8	M6	16	3,3	0	2	2,5	12	4
K0708.406X20	steel	galvanised	8.8	M6	20	3,3	0	2	2,5	12	4
K0708.406X25	steel	galvanised	8.8	M6	25	3,3	0	2	2,5	12	4
K0708.406X30	steel	galvanised	8.8	M6	30	3,3	0	2	2,5	12	4
K0708.406X35	steel	galvanised	8.8	M6	35	3,3	0	2	2,5	12	4
K0708.406X40	steel	galvanised	8.8	M6	40	3,3	11	16	2,5	12	4
K0708.406X45	steel	galvanised	8.8	M6	45	3,3	16	21	2,5	12	4
K0708.406X50	steel	galvanised	8.8	M6	50	3,3	21	26	2,5	12	4
K0708.406X60	steel	galvanised	8.8	M6	60	3,3	31	36	2,5	12	4
K0708.408X16	steel	galvanised	8.8	M8	16	4,4	0	2,5	3,5	16	5
K0708.408X20	steel	galvanised	8.8	M8	20	4,4	0	2,5	3,5	16	5
K0708.408X25	steel	galvanised	8.8	M8	25	4,4	0	2,5	3,5	16	5
K0708.408X30	steel	galvanised	8.8	M8	30	4,4	0	2,5	3,5	16	5
K0708.408X35	steel	galvanised	8.8	M8	35	4,4	0	2,5	3,5	16	5
K0708.408X40	steel	galvanised	8.8	M8	40	4,4	0	2,5	3,5	16	5
K0708.408X45	steel	galvanised	8.8	M8	45	4,4	0	2,5	3,5	16	5
K0708.408X50	steel	galvanised	8.8	M8	50	4,4	15,75	22	3,5	16	5
K0708.408X60	steel	galvanised	8.8	M8	60	4,4	25,75	32	3,5	16	5
K0708.410X16	steel	galvanised	8.8	M10	16	5,5	0	3	4,4	20	6
K0708.410X20	steel	galvanised	8.8	M10	20	5,5	0	3	4,4	20	6
K0708.410X25	steel	galvanised	8.8	M10	25	5,5	0	3	4,4	20	6
K0708.410X30	steel	galvanised	8.8	M10	30	5,5	0	3	4,4	20	6
K0708.410X35	steel	galvanised	8.8	M10	35	5,5	0	3	4,4	20	6
K0708.410X40	steel	galvanised	8.8	M10	40	5,5	0	3	4,4	20	6
K0708.410X45	steel	galvanised	8.8	M10	45	5,5	0	3	4,4	20	6
K0708.410X50	steel	galvanised	8.8	M10	50	5,5	0	3	4,4	20	6
K0708.410X60	steel	galvanised	8.8	M10	60	5,5	20,5	28	4,4	20	6
K0708.410X70	steel	galvanised	8.8	M10	70	5,5	30,5	38	4,4	20	6
K0708.412X20	steel	galvanised	8.8	M12	20	6,5	0	3,5	4,6	24	8
K0708.412X25	steel	galvanised	8.8	M12	25	6,5	0	3,5	4,6	24	8
K0708.412X30	steel	galvanised	8.8	M12	30	6,5	0	3,5	4,6	24	8
K0708.412X35	steel	galvanised	8.8	M12	35	6,5	0	3,5	4,6	24	8
K0708.412X40	steel	galvanised	8.8	M12	40	6,5	0	3,5	4,6	24	8
K0708.412X45	steel	galvanised	8.8	M12	45	6,5	0	3,5	4,6	24	8
K0708.412X50	steel	galvanised	8.8	M12	50	6,5	0	3,5	4,6	24	8
K0708.412X60	steel	galvanised	8.8	M12	60	6,5	0	3,5	4,6	24	8
K0708.412X70	steel	galvanised	8.8	M12	70	6,5	25,25	34	4,6	24	8
K0708.412X80	steel	galvanised	8.8	M12	80	6,5	35,25	44	4,6	24	8
K0708.416X30	steel	galvanised	8.8	M16	30	7,5	0	4	5,3	30	10
K0708.416X35	steel	galvanised	8.8	M16	35	7,5	0	4	5,3	30	10
K0708.416X40	steel	galvanised	8.8	M16	40	7,5	0	4	5,3	30	10
K0708.416X45	steel	galvanised	8.8	M16	45	7,5	0	4	5,3	30	10
K0708.416X50	steel	galvanised	8.8	M16	50	7,5	0	4	5,3	30	10
K0708.416X60	steel	galvanised	8.8	M16	60	7,5	0	4	5,3	30	10
K0708.416X70	steel	galvanised	8.8	M16	70	7,5	0	4	5,3	30	10
K0708.416X80	steel	galvanised	8.8	M16	80	7,5	22	32	5,3	30	10
K0708.304X10	steel	bright (black)	10.9	M4	10	2,3	0	1,4	1,8	8	2,5
K0708.304X12	steel	bright (black)	10.9	M4	12	2,3	0	1,4	1,8	8	2,5
K0708.304X16	steel	bright (black)	10.9	M4	16	2,3	0	1,4	1,8	8	2,5
K0708.304X20	steel	bright (black)	10.9	M4	20	2,3	0	1,4	1,8	8	2,5
K0708.304X25	steel	bright (black)	10.9	M4	25	2,3	0	1,4	1,8	8	2,5
K0708.305X10	steel	bright (black)	10.9	M5	10	2,8	0	1,6	2,3	10	3

Screws with countersunk head hexagon socket DIN EN ISO 10642, steel

Overview of items

Order No.	Material	Surface finish body	Grade	D	L	K	Ls min.	Lg max.	T	D1	SW
K0708.305X12	steel	bright (black)	10.9	M5	12	2,8	0	1,6	2,3	10	3
K0708.305X16	steel	bright (black)	10.9	M5	16	2,8	0	1,6	2,3	10	3
K0708.305X20	steel	bright (black)	10.9	M5	20	2,8	0	1,6	2,3	10	3
K0708.305X25	steel	bright (black)	10.9	M5	25	2,8	0	1,6	2,3	10	3
K0708.305X30	steel	bright (black)	10.9	M5	30	2,8	0	1,6	2,3	10	3
K0708.306X10	steel	bright (black)	10.9	M6	10	3,3	0	2	2,5	12	4
K0708.306X12	steel	bright (black)	10.9	M6	12	3,3	0	2	2,5	12	4
K0708.306X16	steel	bright (black)	10.9	M6	16	3,3	0	2	2,5	12	4
K0708.306X20	steel	bright (black)	10.9	M6	20	3,3	0	2	2,5	12	4
K0708.306X25	steel	bright (black)	10.9	M6	25	3,3	0	2	2,5	12	4
K0708.306X30	steel	bright (black)	10.9	M6	30	3,3	0	2	2,5	12	4
K0708.306X35	steel	bright (black)	10.9	M6	35	3,3	0	2	2,5	12	4
K0708.306X40	steel	bright (black)	10.9	M6	40	3,3	11	16	2,5	12	4
K0708.306X45	steel	bright (black)	10.9	M6	45	3,3	16	21	2,5	12	4
K0708.306X50	steel	bright (black)	10.9	M6	50	3,3	21	26	2,5	12	4
K0708.306X60	steel	bright (black)	10.9	M6	60	3,3	31	36	2,5	12	4
K0708.308X16	steel	bright (black)	10.9	M8	16	4,4	0	2,5	3,5	16	5
K0708.308X20	steel	bright (black)	10.9	M8	20	4,4	0	2,5	3,5	16	5
K0708.308X25	steel	bright (black)	10.9	M8	25	4,4	0	2,5	3,5	16	5
K0708.308X30	steel	bright (black)	10.9	M8	30	4,4	0	2,5	3,5	16	5
K0708.308X35	steel	bright (black)	10.9	M8	35	4,4	0	2,5	3,5	16	5
K0708.308X40	steel	bright (black)	10.9	M8	40	4,4	0	2,5	3,5	16	5
K0708.308X45	steel	bright (black)	10.9	M8	45	4,4	0	2,5	3,5	16	5
K0708.308X50	steel	bright (black)	10.9	M8	50	4,4	15,75	22	3,5	16	5
K0708.308X60	steel	bright (black)	10.9	M8	60	4,4	25,75	32	3,5	16	5
K0708.310X16	steel	bright (black)	10.9	M10	16	5,5	0	3	4,4	20	6
K0708.310X20	steel	bright (black)	10.9	M10	20	5,5	0	3	4,4	20	6
K0708.310X25	steel	bright (black)	10.9	M10	25	5,5	0	3	4,4	20	6
K0708.310X30	steel	bright (black)	10.9	M10	30	5,5	0	3	4,4	20	6
K0708.310X35	steel	bright (black)	10.9	M10	35	5,5	0	3	4,4	20	6
K0708.310X40	steel	bright (black)	10.9	M10	40	5,5	0	3	4,4	20	6
K0708.310X45	steel	bright (black)	10.9	M10	45	5,5	0	3	4,4	20	6
K0708.310X50	steel	bright (black)	10.9	M10	50	5,5	0	3	4,4	20	6
K0708.310X60	steel	bright (black)	10.9	M10	60	5,5	20,5	28	4,4	20	6
K0708.310X70	steel	bright (black)	10.9	M10	70	5,5	30,5	38	4,4	20	6
K0708.312X20	steel	bright (black)	10.9	M12	20	6,5	0	3,5	4,6	24	8
K0708.312X25	steel	bright (black)	10.9	M12	25	6,5	0	3,5	4,6	24	8
K0708.312X30	steel	bright (black)	10.9	M12	30	6,5	0	3,5	4,6	24	8
K0708.312X35	steel	bright (black)	10.9	M12	35	6,5	0	3,5	4,6	24	8
K0708.312X40	steel	bright (black)	10.9	M12	40	6,5	0	3,5	4,6	24	8
K0708.312X45	steel	bright (black)	10.9	M12	45	6,5	0	3,5	4,6	24	8
K0708.312X50	steel	bright (black)	10.9	M12	50	6,5	0	3,5	4,6	24	8
K0708.312X60	steel	bright (black)	10.9	M12	60	6,5	0	3,5	4,6	24	8
K0708.312X70	steel	bright (black)	10.9	M12	70	6,5	25,25	34	4,6	24	8
K0708.312X80	steel	bright (black)	10.9	M12	80	6,5	35,25	44	4,6	24	8
K0708.316X30	steel	bright (black)	10.9	M16	30	7,5	0	4	5,3	30	10
K0708.316X35	steel	bright (black)	10.9	M16	35	7,5	0	4	5,3	30	10
K0708.316X40	steel	bright (black)	10.9	M16	40	7,5	0	4	5,3	30	10
K0708.316X45	steel	bright (black)	10.9	M16	45	7,5	0	4	5,3	30	10
K0708.316X50	steel	bright (black)	10.9	M16	50	7,5	0	4	5,3	30	10
K0708.316X60	steel	bright (black)	10.9	M16	60	7,5	0	4	5,3	30	10
K0708.316X70	steel	bright (black)	10.9	M16	70	7,5	0	4	5,3	30	10
K0708.316X80	steel	bright (black)	10.9	M16	80	7,5	22	32	5,3	30	10