

Indexing plungers, steel or stainless steel, short version with plastic mushroom grip, thread lock and locking slot

Item description/product images



Description

Material:

Steel version:

Indexing pin hardened:

Threaded sleeve and indexing pin steel.

Stainless steel version:

Indexing pin not hardened:

Threaded sleeve and indexing pin 1.4305.

Mushroom knob black grey thermoplastic.

Thread lock blue polyamide.

Version:

Steel version:

Indexing pin hardened, ground, black oxidised.

Stainless steel version:

Indexing pin not hardened, ground, bright.

Note:

Indexing plungers are used to prevent any change in locking position due to lateral forces. A new locking position can only be set after the pin has been manually disengaged. Form CP is recommended for applications where the plunger remains disengaged over a long period and the pin should be prevented from springing back. The thread lock enables the plunger to be screwed in to the exact depth required, no spacer ring is required.

The thread lock is a gripping polyamide coating that is applied punctiform (spot).

On request:

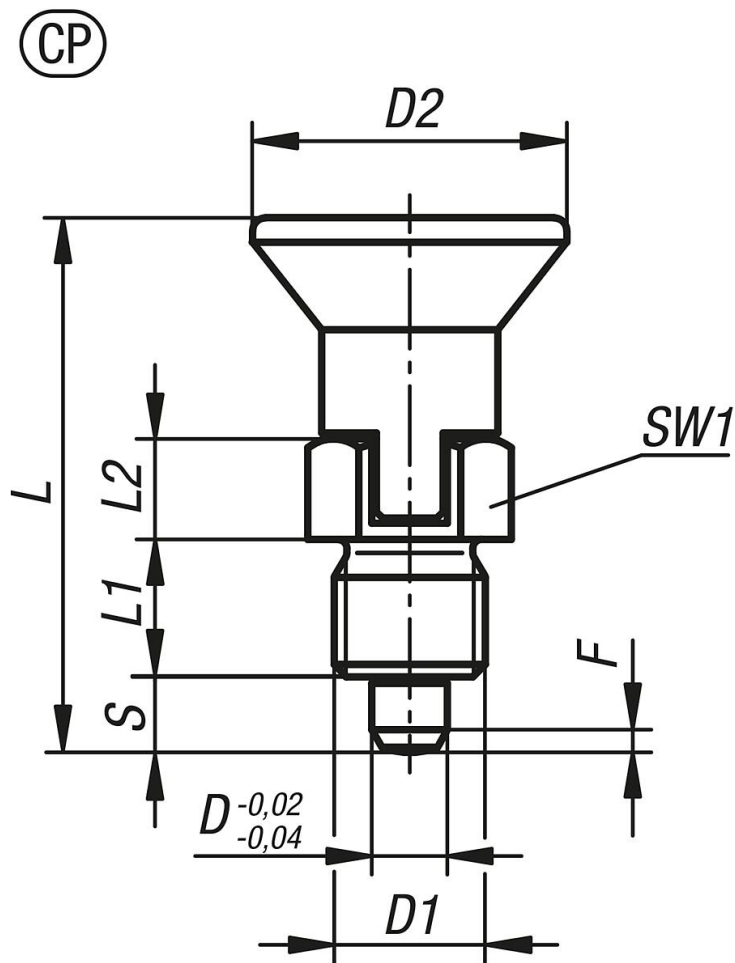
Special versions.

Accessory:

Spacer rings K0665

Indexing plungers, steel or stainless steel, short version with plastic mushroom grip, thread lock and locking slot

Drawings



Overview of items

Order No.	Main material	Form	D	D1	D2	L	L1	L2	Travel S	SW1	Fx30°	Spring force initial pressure F1 approx. N	Spring force final pressure F2 approx. N
K1097.97903	steel	CP	3	M6x0,75	14	25,5	6	5	3,5	8	0,8	4	10
K1097.97004	steel	CP	4	M8x1	18	29,5	6	6	4	10	1	4	12
K1097.97105	steel	CP	5	M10x1	21	34,5	8	7	5	13	1,3	5	12
K1097.97206	steel	CP	6	M12x1,5	25	41,7	10	8	6	14	1,8	6	14
K1097.97308	steel	CP	8	M16x1,5	33	54	12	10	8	19	2,3	14	28
K1097.97410	steel	CP	10	M20x1,5	33	61	15	12	10	22	2,8	15	32
K1097.197903	stainless steel	CP	3	M6x0,75	14	25,5	6	5	3,5	8	0,8	4	10
K1097.197004	stainless steel	CP	4	M8x1	18	29,5	6	6	4	10	1	4	12
K1097.197105	stainless steel	CP	5	M10x1	21	34,5	8	7	5	13	1,3	5	12
K1097.197206	stainless steel	CP	6	M12x1,5	25	41,7	10	8	6	14	1,8	6	14
K1097.197308	stainless steel	CP	8	M16x1,5	33	54	12	10	8	19	2,3	14	28
K1097.197410	stainless steel	CP	10	M20x1,5	33	61	15	12	10	22	2,8	15	32