

Socket head screws, DIN EN ISO 4762 enhanced, steel

Item description/product images



Description

Material:

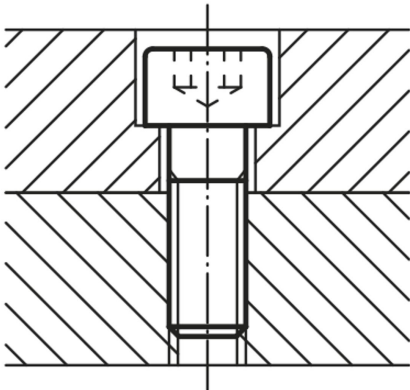
Steel.

Version:

Steel grade 8.8, bright (black) or electro zinc-plated.
Steel grade 10.9, bright (black) or electro zinc-plated.
Steel grade 12.9, bright (black).

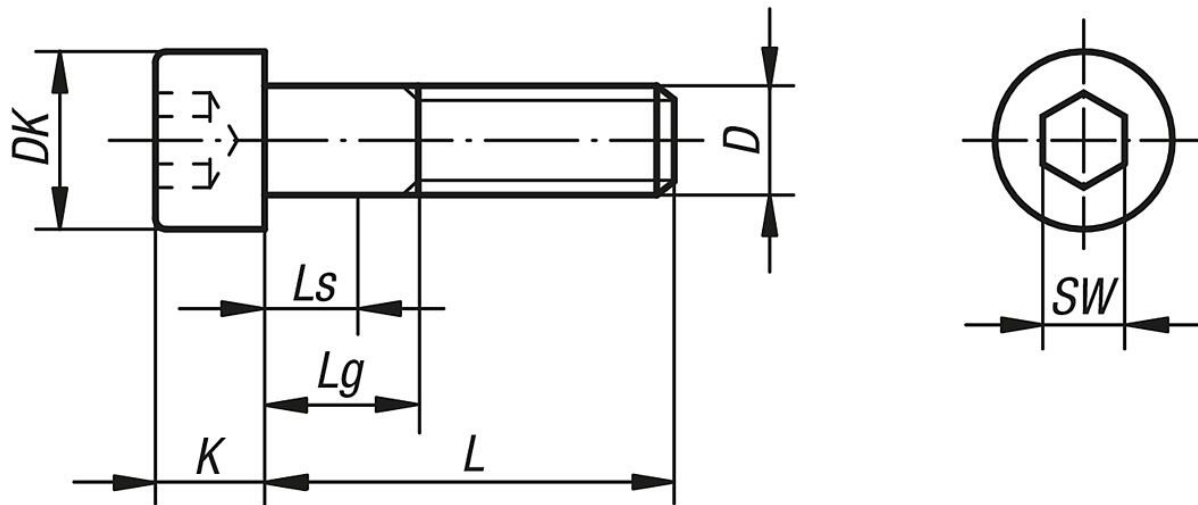
Note:

M18 as per DIN 912.



Socket head screws, DIN EN ISO 4762 enhanced, steel

Drawings



Overview of items

Order No.	Main material	Grade	Surface finish body	D	L	Ls min.	Lg max.	DK	K	SW
K0869.04X10	steel	8.8	bright (black)	M4	10	0	2,1	7	4	3
K0869.04X12	steel	8.8	bright (black)	M4	12	0	2,1	7	4	3
K0869.04X16	steel	8.8	bright (black)	M4	16	0	2,1	7	4	3
K0869.04X18	steel	8.8	bright (black)	M4	18	0	2,1	7	4	3
K0869.04X20	steel	8.8	bright (black)	M4	20	0	2,1	7	4	3
K0869.04X25	steel	8.8	bright (black)	M4	25	0	2,1	7	4	3
K0869.05X10	steel	8.8	bright (black)	M5	10	0	2,4	8,5	5	4
K0869.05X12	steel	8.8	bright (black)	M5	12	0	2,4	8,5	5	4
K0869.05X16	steel	8.8	bright (black)	M5	16	0	2,4	8,5	5	4
K0869.05X18	steel	8.8	bright (black)	M5	18	0	2,4	8,5	5	4
K0869.05X20	steel	8.8	bright (black)	M5	20	0	2,4	8,5	5	4
K0869.05X25	steel	8.8	bright (black)	M5	25	0	2,4	8,5	5	4
K0869.05X30	steel	8.8	bright (black)	M5	30	4	8	8,5	5	4
K0869.05X40	steel	8.8	bright (black)	M5	40	9	13	8,5	5	4
K0869.06X10	steel	8.8	bright (black)	M6	10	0	3	10	6	5
K0869.06X12	steel	8.8	bright (black)	M6	12	0	3	10	6	5
K0869.06X16	steel	8.8	bright (black)	M6	16	0	3	10	6	5
K0869.06X18	steel	8.8	bright (black)	M6	18	0	3	10	6	5
K0869.06X20	steel	8.8	bright (black)	M6	20	0	3	10	6	5
K0869.06X25	steel	8.8	bright (black)	M6	25	0	3	10	6	5
K0869.06X30	steel	8.8	bright (black)	M6	30	0	3	10	6	5
K0869.06X35	steel	8.8	bright (black)	M6	35	6	11	10	6	5
K0869.06X40	steel	8.8	bright (black)	M6	40	11	16	10	6	5
K0869.06X45	steel	8.8	bright (black)	M6	45	16	21	10	6	5
K0869.06X50	steel	8.8	bright (black)	M6	50	21	26	10	6	5
K0869.06X55	steel	8.8	bright (black)	M6	55	26	31	10	6	5
K0869.06X60	steel	8.8	bright (black)	M6	60	31	36	10	6	5
K0869.08X16	steel	8.8	bright (black)	M8	16	0	3,75	13	8	6
K0869.08X18	steel	8.8	bright (black)	M8	18	0	3,75	13	8	6
K0869.08X20	steel	8.8	bright (black)	M8	20	0	3,75	13	8	6
K0869.08X25	steel	8.8	bright (black)	M8	25	0	3,75	13	8	6
K0869.08X30	steel	8.8	bright (black)	M8	30	0	3,75	13	8	6
K0869.08X35	steel	8.8	bright (black)	M8	35	0	3,75	13	8	6
K0869.08X40	steel	8.8	bright (black)	M8	40	5,75	12	13	8	6
K0869.08X45	steel	8.8	bright (black)	M8	45	10,75	17	13	8	6
K0869.08X50	steel	8.8	bright (black)	M8	50	15,75	22	13	8	6
K0869.08X60	steel	8.8	bright (black)	M8	60	25,75	32	13	8	6
K0869.08X70	steel	8.8	bright (black)	M8	70	35,75	42	13	8	6

Socket head screws, DIN EN ISO 4762 enhanced, steel

Overview of items

Order No.	Main material	Grade	Surface finish body	D	L	Ls min.	Lg max.	DK	K	SW
K0869.08X80	steel	8.8	bright (black)	M8	80	45,75	52	13	8	6
K0869.10X16	steel	8.8	bright (black)	M10	16	0	4,5	16	10	8
K0869.10X18	steel	8.8	bright (black)	M10	18	0	4,5	16	10	8
K0869.10X20	steel	8.8	bright (black)	M10	20	0	4,5	16	10	8
K0869.10X25	steel	8.8	bright (black)	M10	25	0	4,5	16	10	8
K0869.10X30	steel	8.8	bright (black)	M10	30	0	4,5	16	10	8
K0869.10X35	steel	8.8	bright (black)	M10	35	0	4,5	16	10	8
K0869.10X40	steel	8.8	bright (black)	M10	40	0	4,5	16	10	8
K0869.10X45	steel	8.8	bright (black)	M10	45	5,5	13	16	10	8
K0869.10X50	steel	8.8	bright (black)	M10	50	10,5	18	16	10	8
K0869.10X60	steel	8.8	bright (black)	M10	60	20,5	28	16	10	8
K0869.10X70	steel	8.8	bright (black)	M10	70	30,5	38	16	10	8
K0869.10X80	steel	8.8	bright (black)	M10	80	40,5	48	16	10	8
K0869.10X90	steel	8.8	bright (black)	M10	90	50,5	58	16	10	8
K0869.10X100	steel	8.8	bright (black)	M10	100	60,5	68	16	10	8
K0869.12X20	steel	8.8	bright (black)	M12	20	0	5,25	18	12	10
K0869.12X25	steel	8.8	bright (black)	M12	25	0	5,25	18	12	10
K0869.12X30	steel	8.8	bright (black)	M12	30	0	5,25	18	12	10
K0869.12X35	steel	8.8	bright (black)	M12	35	0	5,25	18	12	10
K0869.12X40	steel	8.8	bright (black)	M12	40	0	5,25	18	12	10
K0869.12X45	steel	8.8	bright (black)	M12	45	0	5,25	18	12	10
K0869.12X50	steel	8.8	bright (black)	M12	50	0	5,25	18	12	10
K0869.12X60	steel	8.8	bright (black)	M12	60	15,25	24	18	12	10
K0869.12X70	steel	8.8	bright (black)	M12	70	25,25	34	18	12	10
K0869.12X80	steel	8.8	bright (black)	M12	80	35,25	44	18	12	10
K0869.12X90	steel	8.8	bright (black)	M12	90	45,25	54	18	12	10
K0869.12X100	steel	8.8	bright (black)	M12	100	55,25	64	18	12	10
K0869.12X110	steel	8.8	bright (black)	M12	110	65,25	74	18	12	10
K0869.12X120	steel	8.8	bright (black)	M12	120	75,25	84	18	12	10
K0869.14X50	steel	8.8	bright (black)	M14	50	0	6	21	14	12
K0869.14X80	steel	8.8	bright (black)	M14	80	30	40	21	14	12
K0869.14X120	steel	8.8	bright (black)	M14	120	70	80	21	14	12
K0869.16X30	steel	8.8	bright (black)	M16	30	0	6	24	16	14
K0869.16X35	steel	8.8	bright (black)	M16	35	0	6	24	16	14
K0869.16X40	steel	8.8	bright (black)	M16	40	0	6	24	16	14
K0869.16X45	steel	8.8	bright (black)	M16	45	0	6	24	16	14
K0869.16X50	steel	8.8	bright (black)	M16	50	0	6	24	16	14
K0869.16X60	steel	8.8	bright (black)	M16	60	0	6	24	16	14
K0869.16X70	steel	8.8	bright (black)	M16	70	16	26	24	16	14
K0869.16X80	steel	8.8	bright (black)	M16	80	26	36	24	16	14
K0869.16X90	steel	8.8	bright (black)	M16	90	36	46	24	16	14
K0869.16X100	steel	8.8	bright (black)	M16	100	46	56	24	16	14
K0869.16X110	steel	8.8	bright (black)	M16	110	56	66	24	16	14
K0869.16X120	steel	8.8	bright (black)	M16	120	66	76	24	16	14
K0869.20X40	steel	8.8	bright (black)	M20	40	0	7,5	30	20	17
K0869.20X45	steel	8.8	bright (black)	M20	45	0	7,5	30	20	17
K0869.20X50	steel	8.8	bright (black)	M20	50	0	7,5	30	20	17
K0869.20X60	steel	8.8	bright (black)	M20	60	0	7,5	30	20	17
K0869.20X70	steel	8.8	bright (black)	M20	70	0	7,5	30	20	17
K0869.20X80	steel	8.8	bright (black)	M20	80	15,5	28	30	20	17
K0869.20X90	steel	8.8	bright (black)	M20	90	25,5	38	30	20	17
K0869.20X100	steel	8.8	bright (black)	M20	100	35,5	48	30	20	17
K0869.20X110	steel	8.8	bright (black)	M20	110	45,5	58	30	20	17
K0869.20X120	steel	8.8	bright (black)	M20	120	55,5	68	30	20	17
K0869.404X10	steel	8.8	galvanised	M4	10	0	2,1	7	4	3
K0869.404X12	steel	8.8	galvanised	M4	12	0	2,1	7	4	3
K0869.404X16	steel	8.8	galvanised	M4	16	0	2,1	7	4	3
K0869.404X18	steel	8.8	galvanised	M4	18	0	2,1	7	4	3
K0869.404X20	steel	8.8	galvanised	M4	20	0	2,1	7	4	3
K0869.404X25	steel	8.8	galvanised	M4	25	0	2,1	7	4	3
K0869.405X10	steel	8.8	galvanised	M5	10	0	2,4	8,5	5	4
K0869.405X12	steel	8.8	galvanised	M5	12	0	2,4	8,5	5	4

Socket head screws, DIN EN ISO 4762 enhanced, steel

Overview of items

Order No.	Main material	Grade	Surface finish body	D	L	Ls min.	Lg max.	DK	K	SW
K0869.405X16	steel	8.8	galvanised	M5	16	0	2,4	8,5	5	4
K0869.405X18	steel	8.8	galvanised	M5	18	0	2,4	8,5	5	4
K0869.405X20	steel	8.8	galvanised	M5	20	0	2,4	8,5	5	4
K0869.405X25	steel	8.8	galvanised	M5	25	0	2,4	8,5	5	4
K0869.405X30	steel	8.8	galvanised	M5	30	4	8	8,5	5	4
K0869.405X40	steel	8.8	galvanised	M5	40	14	18	8,5	5	4
K0869.406X10	steel	8.8	galvanised	M6	10	0	3	10	6	5
K0869.406X12	steel	8.8	galvanised	M6	12	0	3	10	6	5
K0869.406X16	steel	8.8	galvanised	M6	16	0	3	10	6	5
K0869.406X18	steel	8.8	galvanised	M6	18	0	3	10	6	5
K0869.406X20	steel	8.8	galvanised	M6	20	0	3	10	6	5
K0869.406X25	steel	8.8	galvanised	M6	25	0	3	10	6	5
K0869.406X30	steel	8.8	galvanised	M6	30	0	3	10	6	5
K0869.406X35	steel	8.8	galvanised	M6	35	6	11	10	6	5
K0869.406X40	steel	8.8	galvanised	M6	40	11	16	10	6	5
K0869.406X45	steel	8.8	galvanised	M6	45	16	21	10	6	5
K0869.406X50	steel	8.8	galvanised	M6	50	21	26	10	6	5
K0869.406X55	steel	8.8	galvanised	M6	55	26	31	10	6	5
K0869.406X60	steel	8.8	galvanised	M6	60	31	36	10	6	5
K0869.408X16	steel	8.8	galvanised	M8	16	0	3,75	13	8	6
K0869.408X18	steel	8.8	galvanised	M8	18	0	3,75	13	8	6
K0869.408X20	steel	8.8	galvanised	M8	20	0	3,75	13	8	6
K0869.408X25	steel	8.8	galvanised	M8	25	0	3,75	13	8	6
K0869.408X30	steel	8.8	galvanised	M8	30	0	3,75	13	8	6
K0869.408X35	steel	8.8	galvanised	M8	35	0	3,75	13	8	6
K0869.408X40	steel	8.8	galvanised	M8	40	5,75	12	13	8	6
K0869.408X45	steel	8.8	galvanised	M8	45	10,75	17	13	8	6
K0869.408X50	steel	8.8	galvanised	M8	50	15,75	22	13	8	6
K0869.408X60	steel	8.8	galvanised	M8	60	25,75	32	13	8	6
K0869.408X70	steel	8.8	galvanised	M8	70	35,75	42	13	8	6
K0869.408X80	steel	8.8	galvanised	M8	80	45,75	52	13	8	6
K0869.410X16	steel	8.8	galvanised	M10	16	0	4,5	16	10	8
K0869.410X18	steel	8.8	galvanised	M10	18	0	4,5	16	10	8
K0869.410X20	steel	8.8	galvanised	M10	20	0	4,5	16	10	8
K0869.410X25	steel	8.8	galvanised	M10	25	0	4,5	16	10	8
K0869.410X30	steel	8.8	galvanised	M10	30	0	4,5	16	10	8
K0869.410X35	steel	8.8	galvanised	M10	35	0	4,5	16	10	8
K0869.410X40	steel	8.8	galvanised	M10	40	0	4,5	16	10	8
K0869.410X45	steel	8.8	galvanised	M10	45	5,5	13	16	10	8
K0869.410X50	steel	8.8	galvanised	M10	50	10,5	18	16	10	8
K0869.410X60	steel	8.8	galvanised	M10	60	20,5	28	16	10	8
K0869.410X70	steel	8.8	galvanised	M10	70	30,5	38	16	10	8
K0869.410X80	steel	8.8	galvanised	M10	80	40,5	48	16	10	8
K0869.410X90	steel	8.8	galvanised	M10	90	50,5	58	16	10	8
K0869.410X100	steel	8.8	galvanised	M10	100	60,5	68	16	10	8
K0869.412X20	steel	8.8	galvanised	M12	20	0	5,25	18	12	10
K0869.412X25	steel	8.8	galvanised	M12	25	0	5,25	18	12	10
K0869.412X30	steel	8.8	galvanised	M12	30	0	5,25	18	12	10
K0869.412X35	steel	8.8	galvanised	M12	35	0	5,25	18	12	10
K0869.412X40	steel	8.8	galvanised	M12	40	0	5,25	18	12	10
K0869.412X45	steel	8.8	galvanised	M12	45	0	5,25	18	12	10
K0869.412X50	steel	8.8	galvanised	M12	50	0	5,25	18	12	10
K0869.412X60	steel	8.8	galvanised	M12	60	15,25	24	18	12	10
K0869.412X70	steel	8.8	galvanised	M12	70	25,25	34	18	12	10
K0869.412X80	steel	8.8	galvanised	M12	80	35,25	44	18	12	10
K0869.412X90	steel	8.8	galvanised	M12	90	45,25	54	18	12	10
K0869.412X100	steel	8.8	galvanised	M12	100	55,25	64	18	12	10
K0869.412X110	steel	8.8	galvanised	M12	110	65,25	74	18	12	10
K0869.412X120	steel	8.8	galvanised	M12	120	75,25	84	18	12	10
K0869.414X50	steel	8.8	galvanised	M14	50	0	6	21	14	12
K0869.414X80	steel	8.8	galvanised	M14	80	30	40	21	14	12
K0869.414X120	steel	8.8	galvanised	M14	120	70	80	21	14	12

Socket head screws, DIN EN ISO 4762 enhanced, steel

Overview of items

Order No.	Main material	Grade	Surface finish body	D	L	Ls min.	Lg max.	DK	K	SW
K0869.416X30	steel	8.8	galvanised	M16	30	0	6	24	16	14
K0869.416X35	steel	8.8	galvanised	M16	35	0	6	24	16	14
K0869.416X40	steel	8.8	galvanised	M16	40	0	6	24	16	14
K0869.416X45	steel	8.8	galvanised	M16	45	0	6	24	16	14
K0869.416X50	steel	8.8	galvanised	M16	50	0	6	24	16	14
K0869.416X60	steel	8.8	galvanised	M16	60	0	6	24	16	14
K0869.416X70	steel	8.8	galvanised	M16	70	16	26	24	16	14
K0869.416X80	steel	8.8	galvanised	M16	80	26	36	24	16	14
K0869.416X90	steel	8.8	galvanised	M16	90	36	46	24	16	14
K0869.416X100	steel	8.8	galvanised	M16	100	46	56	24	16	14
K0869.416X110	steel	8.8	galvanised	M16	110	56	66	24	16	14
K0869.416X120	steel	8.8	galvanised	M16	120	66	76	24	16	14
K0869.420X40	steel	8.8	galvanised	M20	40	0	7,5	30	20	17
K0869.420X45	steel	8.8	galvanised	M20	45	0	7,5	30	20	17
K0869.420X50	steel	8.8	galvanised	M20	50	0	7,5	30	20	17
K0869.420X60	steel	8.8	galvanised	M20	60	0	7,5	30	20	17
K0869.420X70	steel	8.8	galvanised	M20	70	0	7,5	30	20	17
K0869.420X80	steel	8.8	galvanised	M20	80	15,5	28	30	20	17
K0869.420X90	steel	8.8	galvanised	M20	90	25,5	38	30	20	17
K0869.420X100	steel	8.8	galvanised	M20	100	35,5	48	30	20	17
K0869.420X110	steel	8.8	galvanised	M20	110	45,5	58	30	20	17
K0869.420X120	steel	8.8	galvanised	M20	120	55,5	68	30	20	17
K0869.304X10	steel	10.9	bright (black)	M4	10	0	2,1	7	4	3
K0869.304X12	steel	10.9	bright (black)	M4	12	0	2,1	7	4	3
K0869.304X16	steel	10.9	bright (black)	M4	16	0	2,1	7	4	3
K0869.304X18	steel	10.9	bright (black)	M4	18	0	2,1	7	4	3
K0869.304X20	steel	10.9	bright (black)	M4	20	0	2,1	7	4	3
K0869.304X25	steel	10.9	bright (black)	M4	25	0	2,1	7	4	3
K0869.305X10	steel	10.9	bright (black)	M5	10	0	2,4	8,5	5	4
K0869.305X12	steel	10.9	bright (black)	M5	12	0	2,4	8,5	5	4
K0869.305X16	steel	10.9	bright (black)	M5	16	0	2,4	8,5	5	4
K0869.305X18	steel	10.9	bright (black)	M5	18	0	2,4	8,5	5	4
K0869.305X20	steel	10.9	bright (black)	M5	20	0	2,4	8,5	5	4
K0869.305X25	steel	10.9	bright (black)	M5	25	0	2,4	8,5	5	4
K0869.305X30	steel	10.9	bright (black)	M5	30	4	8	8,5	5	4
K0869.305X40	steel	10.9	bright (black)	M5	40	14	18	8,5	5	4
K0869.306X10	steel	10.9	bright (black)	M6	10	0	3	10	6	5
K0869.306X12	steel	10.9	bright (black)	M6	12	0	3	10	6	5
K0869.306X16	steel	10.9	bright (black)	M6	16	0	3	10	6	5
K0869.306X18	steel	10.9	bright (black)	M6	18	0	3	10	6	5
K0869.306X20	steel	10.9	bright (black)	M6	20	0	3	10	6	5
K0869.306X25	steel	10.9	bright (black)	M6	25	0	3	10	6	5
K0869.306X30	steel	10.9	bright (black)	M6	30	0	3	10	6	5
K0869.306X35	steel	10.9	bright (black)	M6	35	6	11	10	6	5
K0869.306X40	steel	10.9	bright (black)	M6	40	11	16	10	6	5
K0869.306X55	steel	10.9	bright (black)	M6	55	16	21	10	6	5
K0869.306X45	steel	10.9	bright (black)	M6	45	21	26	10	6	5
K0869.306X50	steel	10.9	bright (black)	M6	50	26	31	10	6	5
K0869.306X60	steel	10.9	bright (black)	M6	60	31	36	10	6	5
K0869.308X16	steel	10.9	bright (black)	M8	16	0	3,75	13	8	6
K0869.308X18	steel	10.9	bright (black)	M8	18	0	3,75	13	8	6
K0869.308X20	steel	10.9	bright (black)	M8	20	0	3,75	13	8	6
K0869.308X25	steel	10.9	bright (black)	M8	25	0	3,75	13	8	6
K0869.308X30	steel	10.9	bright (black)	M8	30	0	3,75	13	8	6
K0869.308X35	steel	10.9	bright (black)	M8	35	0	3,75	13	8	6
K0869.308X40	steel	10.9	bright (black)	M8	40	5,75	12	13	8	6
K0869.308X45	steel	10.9	bright (black)	M8	45	10,75	17	13	8	6
K0869.308X50	steel	10.9	bright (black)	M8	50	15,75	22	13	8	6
K0869.308X60	steel	10.9	bright (black)	M8	60	25,75	32	13	8	6
K0869.308X70	steel	10.9	bright (black)	M8	70	35,75	42	13	8	6
K0869.308X80	steel	10.9	bright (black)	M8	80	45,75	52	13	8	6
K0869.310X16	steel	10.9	bright (black)	M10	16	0	4,5	16	10	8

Socket head screws, DIN EN ISO 4762 enhanced, steel

Overview of items

Order No.	Main material	Grade	Surface finish body	D	L	Ls min.	Lg max.	DK	K	SW
K0869.310X18	steel	10.9	bright (black)	M10	18	0	4,5	16	10	8
K0869.310X20	steel	10.9	bright (black)	M10	20	0	4,5	16	10	8
K0869.310X25	steel	10.9	bright (black)	M10	25	0	4,5	16	10	8
K0869.310X30	steel	10.9	bright (black)	M10	30	0	4,5	16	10	8
K0869.310X35	steel	10.9	bright (black)	M10	35	0	4,5	16	10	8
K0869.310X40	steel	10.9	bright (black)	M10	40	0	4,5	16	10	8
K0869.310X45	steel	10.9	bright (black)	M10	45	5,5	13	16	10	8
K0869.310X50	steel	10.9	bright (black)	M10	50	10,5	18	16	10	8
K0869.310X60	steel	10.9	bright (black)	M10	60	20,5	28	16	10	8
K0869.310X70	steel	10.9	bright (black)	M10	70	30,5	38	16	10	8
K0869.310X80	steel	10.9	bright (black)	M10	80	40,5	48	16	10	8
K0869.310X90	steel	10.9	bright (black)	M10	90	50,5	58	16	10	8
K0869.310X100	steel	10.9	bright (black)	M10	100	60,5	68	16	10	8
K0869.312X20	steel	10.9	bright (black)	M12	20	0	5,25	18	12	10
K0869.312X25	steel	10.9	bright (black)	M12	25	0	5,25	18	12	10
K0869.312X30	steel	10.9	bright (black)	M12	30	0	5,25	18	12	10
K0869.312X35	steel	10.9	bright (black)	M12	35	0	5,25	18	12	10
K0869.312X40	steel	10.9	bright (black)	M12	40	0	5,25	18	12	10
K0869.312X45	steel	10.9	bright (black)	M12	45	0	5,25	18	12	10
K0869.312X50	steel	10.9	bright (black)	M12	50	0	5,25	18	12	10
K0869.312X60	steel	10.9	bright (black)	M12	60	15,25	24	18	12	10
K0869.312X70	steel	10.9	bright (black)	M12	70	25,25	34	18	12	10
K0869.312X80	steel	10.9	bright (black)	M12	80	35,25	44	18	12	10
K0869.312X90	steel	10.9	bright (black)	M12	90	45,25	54	18	12	10
K0869.312X100	steel	10.9	bright (black)	M12	100	55,25	64	18	12	10
K0869.312X110	steel	10.9	bright (black)	M12	110	65,25	74	18	12	10
K0869.312X120	steel	10.9	bright (black)	M12	120	75,25	84	18	12	10
K0869.314X50	steel	10.9	bright (black)	M14	50	0	6	21	14	12
K0869.314X80	steel	10.9	bright (black)	M14	80	30	40	21	14	12
K0869.314X120	steel	10.9	bright (black)	M14	120	70	80	21	14	12
K0869.316X30	steel	10.9	bright (black)	M16	30	0	6	24	16	14
K0869.316X35	steel	10.9	bright (black)	M16	35	0	6	24	16	14
K0869.316X40	steel	10.9	bright (black)	M16	40	0	6	24	16	14
K0869.316X45	steel	10.9	bright (black)	M16	45	0	6	24	16	14
K0869.316X50	steel	10.9	bright (black)	M16	50	0	6	24	16	14
K0869.316X60	steel	10.9	bright (black)	M16	60	0	6	24	16	14
K0869.316X70	steel	10.9	bright (black)	M16	70	16	26	24	16	14
K0869.316X80	steel	10.9	bright (black)	M16	80	26	36	24	16	14
K0869.316X90	steel	10.9	bright (black)	M16	90	36	46	24	16	14
K0869.316X100	steel	10.9	bright (black)	M16	100	46	56	24	16	14
K0869.316X110	steel	10.9	bright (black)	M16	110	56	66	24	16	14
K0869.316X120	steel	10.9	bright (black)	M16	120	66	76	24	16	14
K0869.320X40	steel	10.9	bright (black)	M20	40	0	7,5	30	20	17
K0869.320X45	steel	10.9	bright (black)	M20	45	0	7,5	30	20	17
K0869.320X50	steel	10.9	bright (black)	M20	50	0	7,5	30	20	17
K0869.320X60	steel	10.9	bright (black)	M20	60	0	7,5	30	20	17
K0869.320X70	steel	10.9	bright (black)	M20	70	0	7,5	30	20	17
K0869.320X80	steel	10.9	bright (black)	M20	80	15,5	28	30	20	17
K0869.320X90	steel	10.9	bright (black)	M20	90	25,5	38	30	20	17
K0869.320X100	steel	10.9	bright (black)	M20	100	35,5	48	30	20	17
K0869.320X110	steel	10.9	bright (black)	M20	110	45,5	58	30	20	17
K0869.320X120	steel	10.9	bright (black)	M20	120	55,5	68	30	20	17
K0869.504X10	steel	10.9	galvanised	M4	10	0	2,1	7	4	3
K0869.504X12	steel	10.9	galvanised	M4	12	0	2,1	7	4	3
K0869.504X16	steel	10.9	galvanised	M4	16	0	2,1	7	4	3
K0869.504X18	steel	10.9	galvanised	M4	18	0	2,1	7	4	3
K0869.504X20	steel	10.9	galvanised	M4	20	0	2,1	7	4	3
K0869.504X25	steel	10.9	galvanised	M4	25	0	2,1	7	4	3
K0869.505X10	steel	10.9	galvanised	M5	10	0	2,4	8,5	5	4
K0869.505X12	steel	10.9	galvanised	M5	12	0	2,4	8,5	5	4
K0869.505X16	steel	10.9	galvanised	M5	16	0	2,4	8,5	5	4
K0869.505X18	steel	10.9	galvanised	M5	18	0	2,4	8,5	5	4

Socket head screws, DIN EN ISO 4762 enhanced, steel

Overview of items

Order No.	Main material	Grade	Surface finish body	D	L	Ls min.	Lg max.	DK	K	SW
K0869.505X20	steel	10.9	galvanised	M5	20	0	2,4	8,5	5	4
K0869.505X25	steel	10.9	galvanised	M5	25	0	2,4	8,5	5	4
K0869.505X30	steel	10.9	galvanised	M5	30	4	8	8,5	5	4
K0869.505X40	steel	10.9	galvanised	M5	40	14	18	8,5	5	4
K0869.506X10	steel	10.9	galvanised	M6	10	0	3	10	6	5
K0869.506X12	steel	10.9	galvanised	M6	12	0	3	10	6	5
K0869.506X16	steel	10.9	galvanised	M6	16	0	3	10	6	5
K0869.506X18	steel	10.9	galvanised	M6	18	0	3	10	6	5
K0869.506X20	steel	10.9	galvanised	M6	20	0	3	10	6	5
K0869.506X25	steel	10.9	galvanised	M6	25	0	3	10	6	5
K0869.506X30	steel	10.9	galvanised	M6	30	0	3	10	6	5
K0869.506X35	steel	10.9	galvanised	M6	35	6	11	10	6	5
K0869.506X40	steel	10.9	galvanised	M6	40	11	16	10	6	5
K0869.506X45	steel	10.9	galvanised	M6	45	16	21	10	6	5
K0869.506X50	steel	10.9	galvanised	M6	50	21	26	10	6	5
K0869.506X55	steel	10.9	galvanised	M6	55	26	31	10	6	5
K0869.506X60	steel	10.9	galvanised	M6	60	31	36	10	6	5
K0869.508X16	steel	10.9	galvanised	M8	16	0	3,75	13	8	6
K0869.508X20	steel	10.9	galvanised	M8	20	0	3,75	13	8	6
K0869.508X25	steel	10.9	galvanised	M8	25	0	3,75	13	8	6
K0869.508X30	steel	10.9	galvanised	M8	30	0	3,75	13	8	6
K0869.508X35	steel	10.9	galvanised	M8	35	0	3,75	13	8	6
K0869.508X40	steel	10.9	galvanised	M8	40	5,75	12	13	8	6
K0869.508X45	steel	10.9	galvanised	M8	45	10,75	17	13	8	6
K0869.508X50	steel	10.9	galvanised	M8	50	15,75	22	13	8	6
K0869.508X60	steel	10.9	galvanised	M8	60	25,75	32	13	8	6
K0869.508X70	steel	10.9	galvanised	M8	70	35,75	42	13	8	6
K0869.508X80	steel	10.9	galvanised	M8	80	45,75	52	13	8	6
K0869.510X16	steel	10.9	galvanised	M10	16	0	4,5	16	10	8
K0869.510X18	steel	10.9	galvanised	M10	18	0	4,5	16	10	8
K0869.510X20	steel	10.9	galvanised	M10	20	0	4,5	16	10	8
K0869.510X25	steel	10.9	galvanised	M10	25	0	4,5	16	10	8
K0869.510X30	steel	10.9	galvanised	M10	30	0	4,5	16	10	8
K0869.510X35	steel	10.9	galvanised	M10	35	0	4,5	16	10	8
K0869.510X40	steel	10.9	galvanised	M10	40	0	4,5	16	10	8
K0869.510X45	steel	10.9	galvanised	M10	45	5,5	13	16	10	8
K0869.510X50	steel	10.9	galvanised	M10	50	10,5	18	16	10	8
K0869.510X60	steel	10.9	galvanised	M10	60	20,5	28	16	10	8
K0869.510X70	steel	10.9	galvanised	M10	70	30,5	38	16	10	8
K0869.510X80	steel	10.9	galvanised	M10	80	40,5	48	16	10	8
K0869.510X90	steel	10.9	galvanised	M10	90	50,5	58	16	10	8
K0869.510X100	steel	10.9	galvanised	M10	100	60,5	68	16	10	8
K0869.512X20	steel	10.9	galvanised	M12	20	0	5,25	18	12	10
K0869.512X25	steel	10.9	galvanised	M12	25	0	5,25	18	12	10
K0869.512X30	steel	10.9	galvanised	M12	30	0	5,25	18	12	10
K0869.512X35	steel	10.9	galvanised	M12	35	0	5,25	18	12	10
K0869.512X40	steel	10.9	galvanised	M12	40	0	5,25	18	12	10
K0869.512X45	steel	10.9	galvanised	M12	45	0	5,25	18	12	10
K0869.512X50	steel	10.9	galvanised	M12	50	0	5,25	18	12	10
K0869.512X60	steel	10.9	galvanised	M12	60	15,25	24	18	12	10
K0869.512X70	steel	10.9	galvanised	M12	70	25,25	34	18	12	10
K0869.512X80	steel	10.9	galvanised	M12	80	35,25	44	18	12	10
K0869.512X90	steel	10.9	galvanised	M12	90	45,25	54	18	12	10
K0869.512X100	steel	10.9	galvanised	M12	100	55,25	64	18	12	10
K0869.512X110	steel	10.9	galvanised	M12	110	65,25	74	18	12	10
K0869.512X120	steel	10.9	galvanised	M12	120	75,25	84	18	12	10
K0869.514X50	steel	10.9	galvanised	M14	50	0	6	21	14	12
K0869.514X80	steel	10.9	galvanised	M14	80	30	40	21	14	12
K0869.514X120	steel	10.9	galvanised	M14	120	70	80	21	14	12
K0869.516X30	steel	10.9	galvanised	M16	30	0	6	24	16	14
K0869.516X35	steel	10.9	galvanised	M16	35	0	6	24	16	14
K0869.516X40	steel	10.9	galvanised	M16	40	0	6	24	16	14

Socket head screws, DIN EN ISO 4762 enhanced, steel

Overview of items

Order No.	Main material	Grade	Surface finish body	D	L	Ls min.	Lg max.	DK	K	SW
K0869.516X45	steel	10.9	galvanised	M16	45	0	6	24	16	14
K0869.516X50	steel	10.9	galvanised	M16	50	0	6	24	16	14
K0869.516X60	steel	10.9	galvanised	M16	60	0	6	24	16	14
K0869.516X70	steel	10.9	galvanised	M16	70	16	26	24	16	14
K0869.516X80	steel	10.9	galvanised	M16	80	26	36	24	16	14
K0869.516X90	steel	10.9	galvanised	M16	90	36	46	24	16	14
K0869.516X100	steel	10.9	galvanised	M16	100	46	56	24	16	14
K0869.516X110	steel	10.9	galvanised	M16	110	56	66	24	16	14
K0869.516X120	steel	10.9	galvanised	M16	120	66	76	24	16	14
K0869.520X40	steel	10.9	galvanised	M20	40	0	7,5	30	20	17
K0869.520X45	steel	10.9	galvanised	M20	45	0	7,5	30	20	17
K0869.520X50	steel	10.9	galvanised	M20	50	0	7,5	30	20	17
K0869.520X60	steel	10.9	galvanised	M20	60	0	7,5	30	20	17
K0869.520X70	steel	10.9	galvanised	M20	70	0	7,5	30	20	17
K0869.520X80	steel	10.9	galvanised	M20	80	15,5	28	30	20	17
K0869.520X90	steel	10.9	galvanised	M20	90	25,5	38	30	20	17
K0869.520X100	steel	10.9	galvanised	M20	100	35,5	48	30	20	17
K0869.520X110	steel	10.9	galvanised	M20	110	45,5	58	30	20	17
K0869.520X120	steel	10.9	galvanised	M20	120	55,5	68	30	20	17
K0869.206X18	steel	12.9	bright (black)	M6	18	0	3	10	6	5
K0869.206X20	steel	12.9	bright (black)	M6	20	0	3	10	6	5
K0869.206X25	steel	12.9	bright (black)	M6	25	0	3	10	6	5
K0869.206X30	steel	12.9	bright (black)	M6	30	0	3	10	6	5
K0869.206X35	steel	12.9	bright (black)	M6	35	6	11	10	6	5
K0869.206X40	steel	12.9	bright (black)	M6	40	11	16	10	6	5
K0869.206X45	steel	12.9	bright (black)	M6	45	16	21	10	6	5
K0869.206X50	steel	12.9	bright (black)	M6	50	21	26	10	6	5
K0869.206X55	steel	12.9	bright (black)	M6	55	26	31	10	6	5
K0869.206X60	steel	12.9	bright (black)	M6	60	31	36	10	6	5
K0869.206X65	steel	12.9	bright (black)	M6	65	36	41	10	6	5
K0869.206X70	steel	12.9	bright (black)	M6	70	41	46	10	6	5
K0869.206X80	steel	12.9	bright (black)	M6	80	51	56	10	6	5
K0869.206X90	steel	12.9	bright (black)	M6	90	61	66	10	6	5
K0869.206X100	steel	12.9	bright (black)	M6	100	71	76	10	6	5
K0869.208X20	steel	12.9	bright (black)	M8	20	0	3,75	13	8	6
K0869.208X25	steel	12.9	bright (black)	M8	25	0	3,75	13	8	6
K0869.208X30	steel	12.9	bright (black)	M8	30	0	3,75	13	8	6
K0869.208X35	steel	12.9	bright (black)	M8	35	0	3,75	13	8	6
K0869.208X40	steel	12.9	bright (black)	M8	40	5,75	12	13	8	6
K0869.208X45	steel	12.9	bright (black)	M8	45	10,75	17	13	8	6
K0869.208X50	steel	12.9	bright (black)	M8	50	15,75	22	13	8	6
K0869.208X55	steel	12.9	bright (black)	M8	55	20,75	27	13	8	6
K0869.208X60	steel	12.9	bright (black)	M8	60	25,75	32	13	8	6
K0869.208X65	steel	12.9	bright (black)	M8	65	30,75	37	13	8	6
K0869.208X70	steel	12.9	bright (black)	M8	70	35,75	42	13	8	6
K0869.208X80	steel	12.9	bright (black)	M8	80	45,75	52	13	8	6
K0869.208X90	steel	12.9	bright (black)	M8	90	55,75	62	13	8	6
K0869.208X100	steel	12.9	bright (black)	M8	100	65,75	72	13	8	6
K0869.208X120	steel	12.9	bright (black)	M8	120	85,75	92	13	8	6
K0869.210X30	steel	12.9	bright (black)	M10	30	0	4,5	16	10	8
K0869.210X35	steel	12.9	bright (black)	M10	35	0	4,5	16	10	8
K0869.210X40	steel	12.9	bright (black)	M10	40	0	4,5	16	10	8
K0869.210X45	steel	12.9	bright (black)	M10	45	5,5	13	16	10	8
K0869.210X50	steel	12.9	bright (black)	M10	50	10,5	18	16	10	8
K0869.210X55	steel	12.9	bright (black)	M10	55	15,5	23	16	10	8
K0869.210X60	steel	12.9	bright (black)	M10	60	20,5	28	16	10	8
K0869.210X65	steel	12.9	bright (black)	M10	65	25,5	33	16	10	8
K0869.210X70	steel	12.9	bright (black)	M10	70	30,5	38	16	10	8
K0869.210X75	steel	12.9	bright (black)	M10	75	35,5	43	16	10	8
K0869.210X80	steel	12.9	bright (black)	M10	80	40,5	48	16	10	8
K0869.210X90	steel	12.9	bright (black)	M10	90	50,5	58	16	10	8
K0869.210X100	steel	12.9	bright (black)	M10	100	60,5	68	16	10	8

Socket head screws, DIN EN ISO 4762 enhanced, steel

Overview of items

Order No.	Main material	Grade	Surface finish body	D	L	Ls min.	Lg max.	DK	K	SW
K0869.210X110	steel	12.9	bright (black)	M10	110	70,5	78	16	10	8
K0869.210X120	steel	12.9	bright (black)	M10	120	80,5	88	16	10	8
K0869.210X130	steel	12.9	bright (black)	M10	130	90,5	98	16	10	8
K0869.210X140	steel	12.9	bright (black)	M10	140	100,5	108	16	10	8
K0869.212X30	steel	12.9	bright (black)	M12	30	0	5,25	18	12	10
K0869.212X35	steel	12.9	bright (black)	M12	35	0	5,25	18	12	10
K0869.212X40	steel	12.9	bright (black)	M12	40	0	5,25	18	12	10
K0869.212X45	steel	12.9	bright (black)	M12	45	0	5,25	18	12	10
K0869.212X50	steel	12.9	bright (black)	M12	50	0	5,25	18	12	10
K0869.212X55	steel	12.9	bright (black)	M12	55	10,25	19	18	12	10
K0869.212X60	steel	12.9	bright (black)	M12	60	15,25	24	18	12	10
K0869.212X65	steel	12.9	bright (black)	M12	65	20,25	29	18	12	10
K0869.212X70	steel	12.9	bright (black)	M12	70	25,25	34	18	12	10
K0869.212X75	steel	12.9	bright (black)	M12	75	30,25	39	18	12	10
K0869.212X80	steel	12.9	bright (black)	M12	80	35,25	44	18	12	10
K0869.212X90	steel	12.9	bright (black)	M12	90	45,25	54	18	12	10
K0869.212X100	steel	12.9	bright (black)	M12	100	55,25	64	18	12	10
K0869.212X110	steel	12.9	bright (black)	M12	110	65,25	74	18	12	10
K0869.212X120	steel	12.9	bright (black)	M12	120	75,25	84	18	12	10
K0869.212X130	steel	12.9	bright (black)	M12	130	85,25	94	18	12	10
K0869.212X140	steel	12.9	bright (black)	M12	140	95,25	104	18	12	10
K0869.216X35	steel	12.9	bright (black)	M16	35	0	6	24	16	14
K0869.216X40	steel	12.9	bright (black)	M16	40	0	6	24	16	14
K0869.216X45	steel	12.9	bright (black)	M16	45	0	6	24	16	14
K0869.216X50	steel	12.9	bright (black)	M16	50	0	6	24	16	14
K0869.216X55	steel	12.9	bright (black)	M16	55	0	6	24	16	14
K0869.216X60	steel	12.9	bright (black)	M16	60	0	6	24	16	14
K0869.216X65	steel	12.9	bright (black)	M16	65	11	21	24	16	14
K0869.216X70	steel	12.9	bright (black)	M16	70	16	26	24	16	14
K0869.216X75	steel	12.9	bright (black)	M16	75	21	31	24	16	14
K0869.216X80	steel	12.9	bright (black)	M16	80	26	36	24	16	14
K0869.216X90	steel	12.9	bright (black)	M16	90	36	46	24	16	14
K0869.216X100	steel	12.9	bright (black)	M16	100	46	56	24	16	14
K0869.216X110	steel	12.9	bright (black)	M16	110	56	66	24	16	14
K0869.216X120	steel	12.9	bright (black)	M16	120	66	76	24	16	14
K0869.216X130	steel	12.9	bright (black)	M16	130	76	86	24	16	14
K0869.216X140	steel	12.9	bright (black)	M16	140	86	96	24	16	14
K0869.216X150	steel	12.9	bright (black)	M16	150	96	106	24	16	14
K0869.216X160	steel	12.9	bright (black)	M16	160	106	116	24	16	14
K0869.216X170	steel	12.9	bright (black)	M16	170	116	126	24	16	14
K0869.216X180	steel	12.9	bright (black)	M16	180	126	136	24	16	14
K0869.216X200	steel	12.9	bright (black)	M16	200	146	156	24	16	14
K0869.218X35	steel	12.9	bright (black)	M18	35	0	7,5	27	18	14
K0869.218X40	steel	12.9	bright (black)	M18	40	0	7,5	27	18	14
K0869.218X45	steel	12.9	bright (black)	M18	45	0	7,5	27	18	14
K0869.218X50	steel	12.9	bright (black)	M18	50	0	7,5	27	18	14
K0869.218X55	steel	12.9	bright (black)	M18	55	0	7,5	27	18	14
K0869.218X60	steel	12.9	bright (black)	M18	60	0	7,5	27	18	14
K0869.218X65	steel	12.9	bright (black)	M18	65	0	7,5	27	18	14
K0869.218X70	steel	12.9	bright (black)	M18	70	9,5	22	27	18	14
K0869.218X75	steel	12.9	bright (black)	M18	75	14,5	27	27	18	14
K0869.218X80	steel	12.9	bright (black)	M18	80	19,5	32	27	18	14
K0869.218X90	steel	12.9	bright (black)	M18	90	29,5	42	27	18	14
K0869.218X100	steel	12.9	bright (black)	M18	100	39,5	52	27	18	14
K0869.218X110	steel	12.9	bright (black)	M18	110	49,5	62	27	18	14
K0869.218X120	steel	12.9	bright (black)	M18	120	59,5	72	27	18	14
K0869.218X130	steel	12.9	bright (black)	M18	130	69,5	82	27	18	14
K0869.218X140	steel	12.9	bright (black)	M18	140	79,5	92	27	18	14
K0869.218X150	steel	12.9	bright (black)	M18	150	89,5	102	27	18	14
K0869.218X160	steel	12.9	bright (black)	M18	160	99,5	112	27	18	14
K0869.218X170	steel	12.9	bright (black)	M18	170	109,5	122	27	18	14
K0869.218X180	steel	12.9	bright (black)	M18	180	119,5	132	27	18	14

Socket head screws, DIN EN ISO 4762 enhanced, steel

Overview of items

Order No.	Main material	Grade	Surface finish body	D	L	Ls min.	Lg max.	DK	K	SW
K0869.218X200	steel	12.9	bright (black)	M18	200	139,5	152	27	18	14
K0869.220X40	steel	12.9	bright (black)	M20	40	0	7,5	30	20	17
K0869.220X45	steel	12.9	bright (black)	M20	45	0	7,5	30	20	17
K0869.220X50	steel	12.9	bright (black)	M20	50	0	7,5	30	20	17
K0869.220X55	steel	12.9	bright (black)	M20	55	0	7,5	30	20	17
K0869.220X60	steel	12.9	bright (black)	M20	60	0	7,5	30	20	17
K0869.220X65	steel	12.9	bright (black)	M20	65	0	7,5	30	20	17
K0869.220X70	steel	12.9	bright (black)	M20	70	0	7,5	30	20	17
K0869.220X75	steel	12.9	bright (black)	M20	75	10,5	23	30	20	17
K0869.220X80	steel	12.9	bright (black)	M20	80	15,5	28	30	20	17
K0869.220X90	steel	12.9	bright (black)	M20	90	25,5	38	30	20	17
K0869.220X100	steel	12.9	bright (black)	M20	100	35,5	48	30	20	17
K0869.220X110	steel	12.9	bright (black)	M20	110	45,5	58	30	20	17
K0869.220X120	steel	12.9	bright (black)	M20	120	55,5	68	30	20	17
K0869.220X130	steel	12.9	bright (black)	M20	130	65,5	78	30	20	17
K0869.220X140	steel	12.9	bright (black)	M20	140	75,5	88	30	20	17
K0869.220X150	steel	12.9	bright (black)	M20	150	85,5	98	30	20	17
K0869.220X160	steel	12.9	bright (black)	M20	160	95,5	108	30	20	17
K0869.220X170	steel	12.9	bright (black)	M20	170	105,5	118	30	20	17
K0869.220X180	steel	12.9	bright (black)	M20	180	115,5	128	30	20	17
K0869.220X200	steel	12.9	bright (black)	M20	200	135,5	148	30	20	17