

V-blocks split

Item description/product images



Description

Material:

Carbon steel.

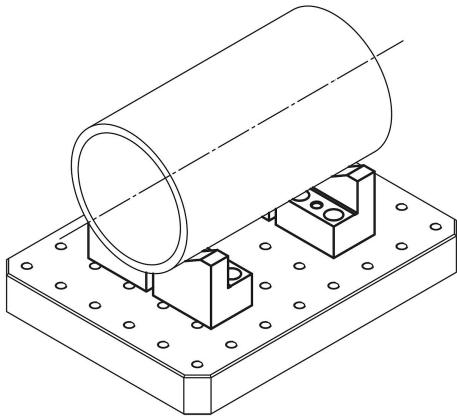
Version:

Black oxidised.

Half prism (30°) and contact faces ground.

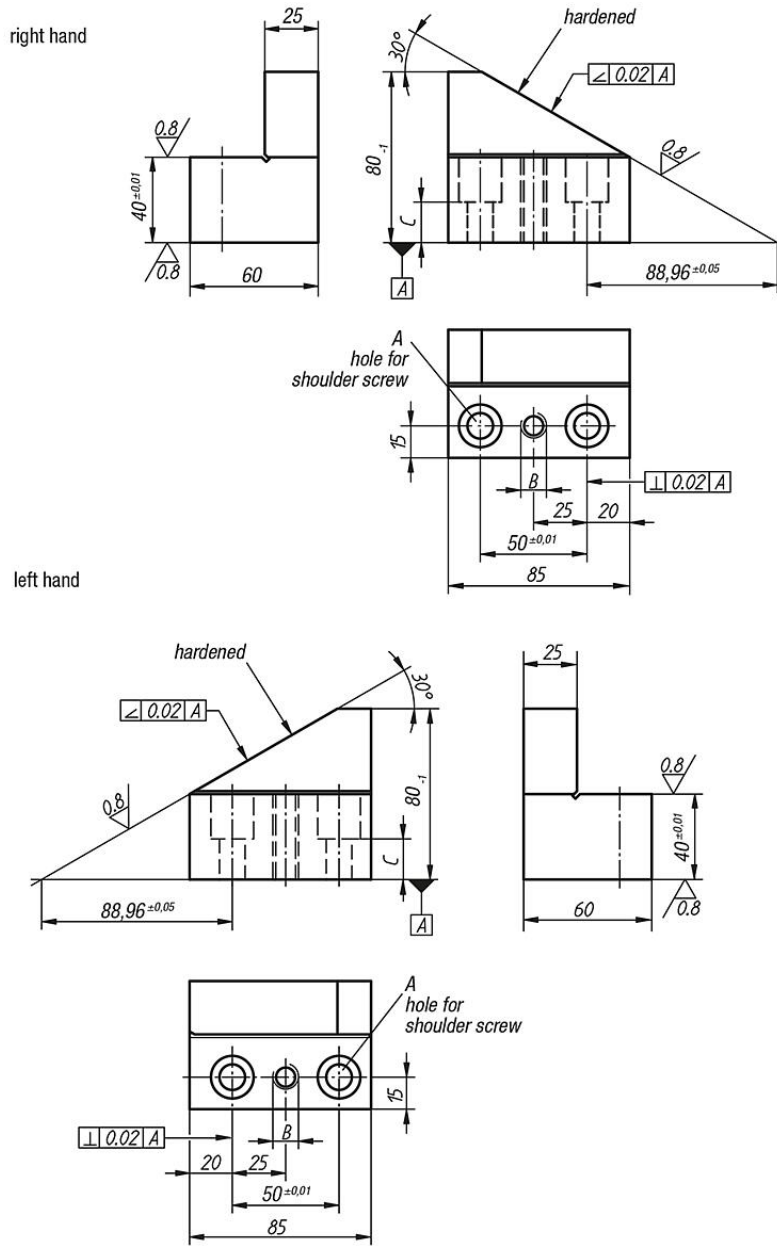
Note:

Right-hand and left-hand split V-blocks are used for positioning round parts. Split V-blocks permit adjustment to the respective workpiece diameter.



V-blocks split

Drawings



Overview of items

V-blocks split

Order No. right	Order No. left	A	B	C	D min.	D max.	Suitable shoulder screw
K0819.6301230	K0819.6311230	12 F7	M12	23	50	600	K0815.112055
K0819.6301630	K0819.6311630	16 F7	M16	20	50	600	K0815.116055

