

Locating supports

Item description/product images



Description

Material:

Carbon steel.

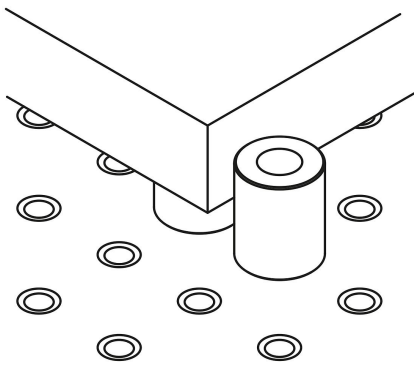
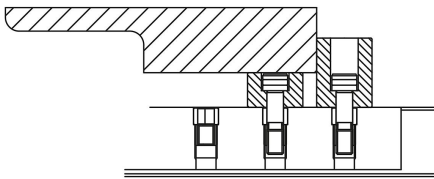
Version:

Tempered.

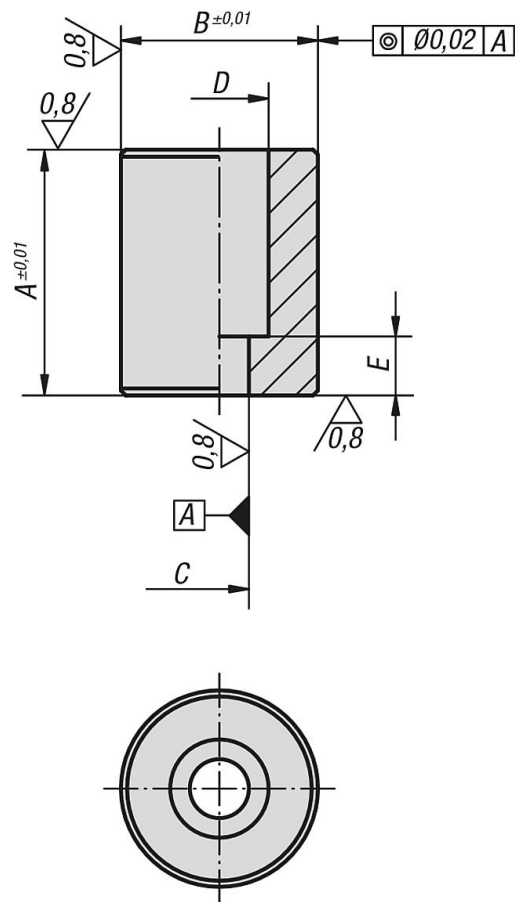
OD and support faces ground.

Note:

Depending on the system (M8, M12, M16), the locating supports are positioned and secured using shoulder screws or locating sleeves with socket head screw.



Drawings



Overview of items

Locating supports

Order No.	A	B	C Ø for shoulder screw	D	E	Suitable shoulder screw
K0816.12025	25	40	12 H7	20	12	K0815.12045
K0816.12050	50	40	12 H7	20	12	K0815.12045
K0816.12075	75	40	12 H7	20	12	K0815.12045
K0816.16050	50	50	16 H7	26	15	K0815.16055
K0816.16075	75	50	16 H7	26	15	K0815.16055
K0816.16100	100	50	16 H7	26	25	K0815.16065
K0816.16125	125	50	16 H7	26	25	K0815.16065